

ATEX Glass Reinforced Polyester Enclosures with Silicon Seal

multicomp PRO

**RoHS
Compliant**

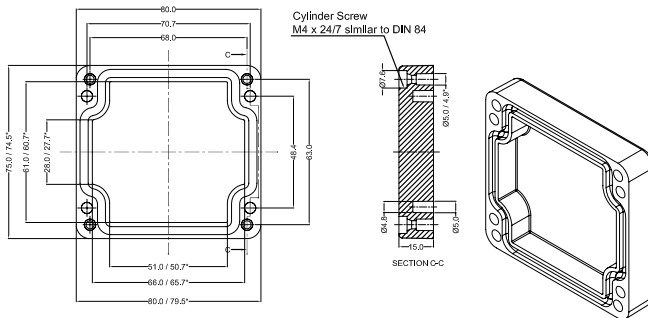


MP007158 - 75mm × 80mm × 55mm

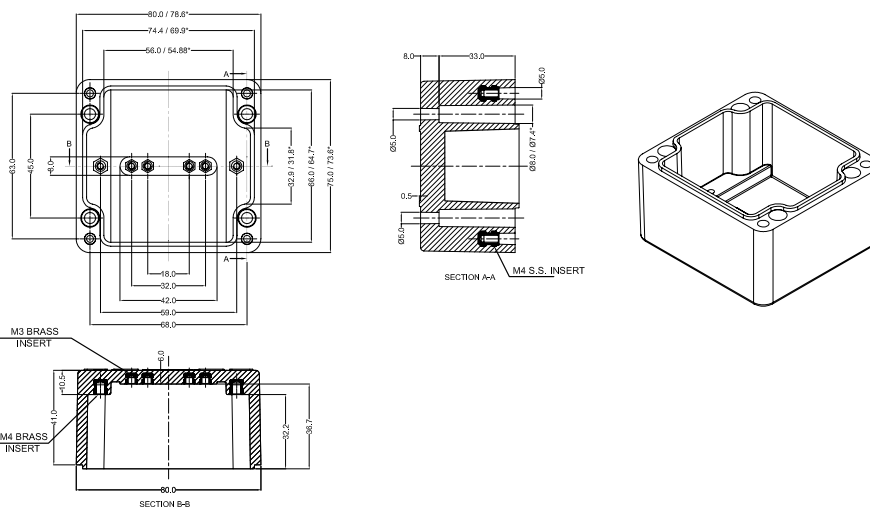
Optional Accessories		
Part Name	Qty.	Availability
Mounting Plate	1	Y
Mounting Brackets	4	Y
Din Rail TS15	1	Y

* = Conical form tapering downward,
Untoleranced dimensions per DIN 16901-140

LID



BASE



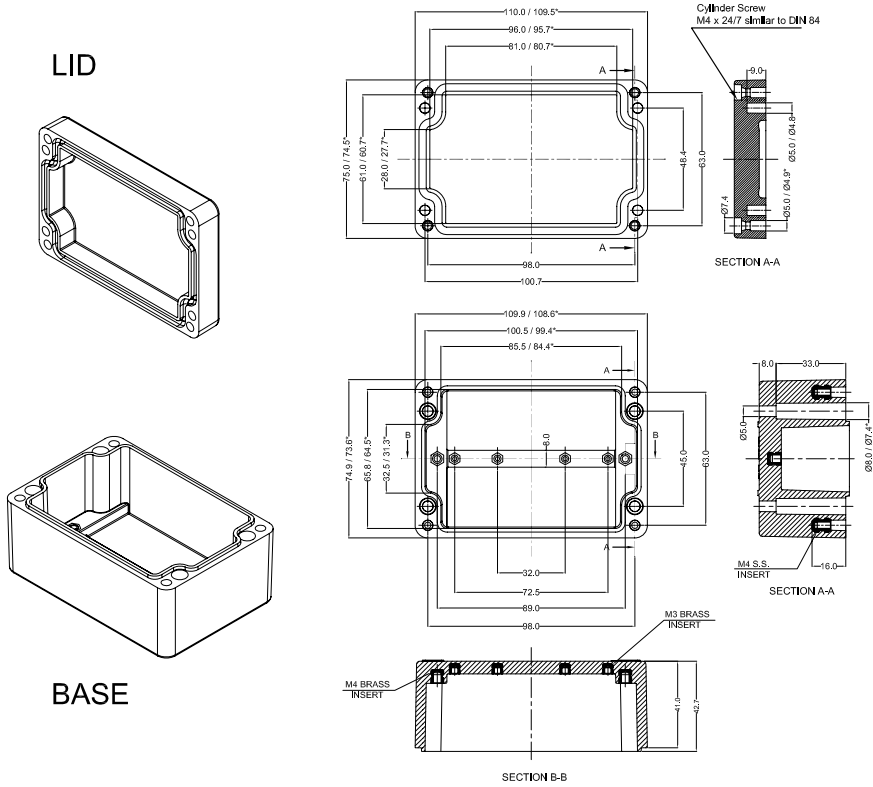
Dimensions : Millimetres

multicomp PRO

ATEX Glass Reinforced Polyester Enclosures with Silicon Seal

multicomp PRO

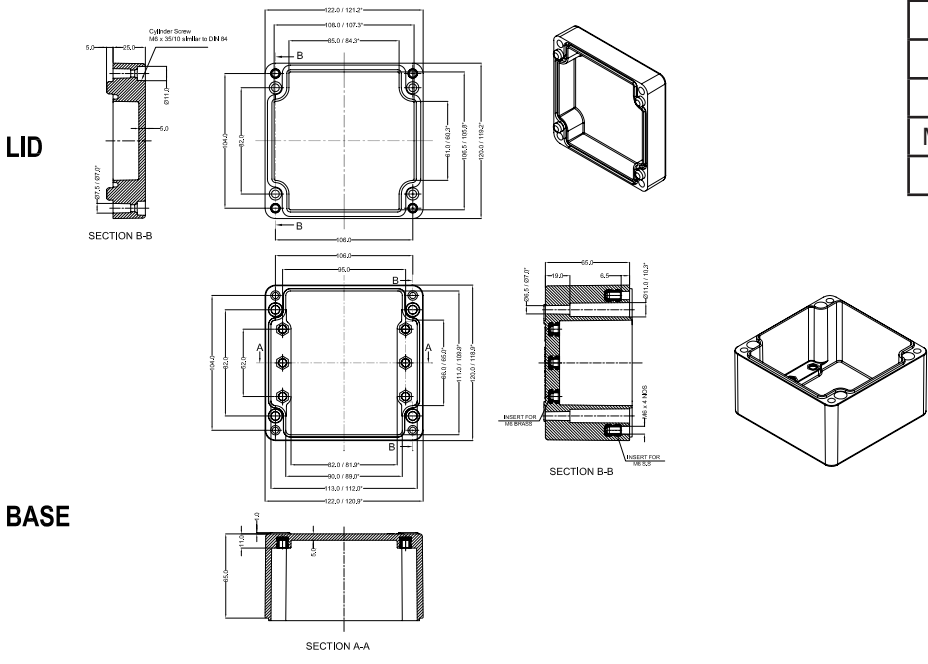
MP007159 - 110mm × 75mm × 55mm



Optional Accessories		
Part Name	Qty.	Availability
Mounting Plate	1	Y
Mounting Brackets	4	Y
Din Rail TS15	1	Y

* = Conical form tapering downward,
Untoleranced dimensions per DIN 16901-140

MP007160 - 122mm × 120mm × 90mm



Optional Accessories		
Part Name	Qty.	Availability
Mounting Plate	1	Y
External Hinge	2	Y
Mounting Brackets	4	Y
Din Rail TS35	1	Y

* = Conical form tapering downward,
Untoleranced dimensions per DIN 16901-140

Dimensions : Millimetres

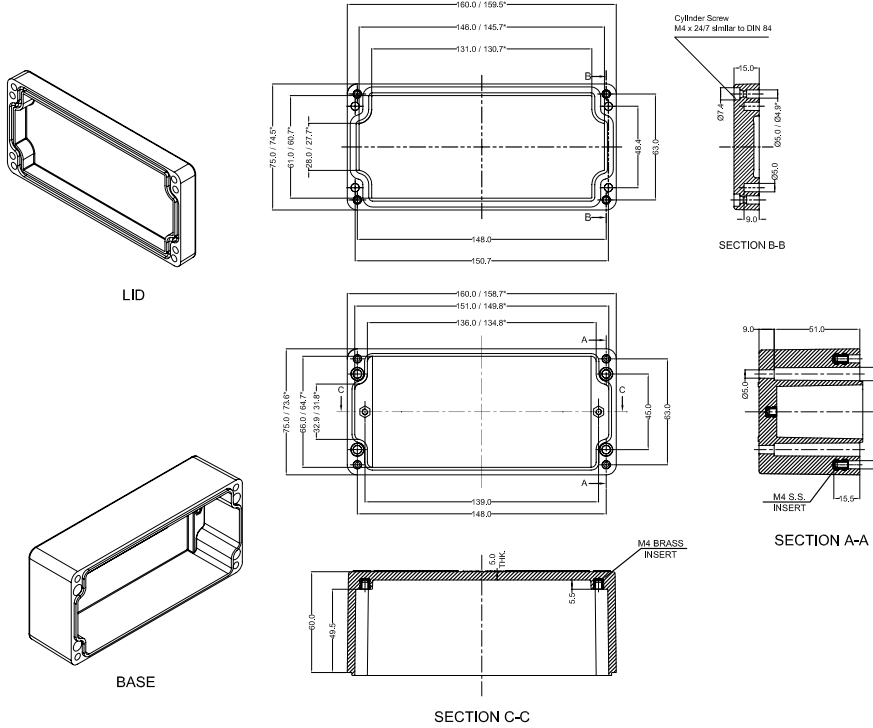
Newark.com/multicomp-pro
Farnell.com/multicomp-pro
Element14.com/multicomp-pro

multicomp PRO

ATEX Glass Reinforced Polyester Enclosures with Silicon Seal

multicomp PRO

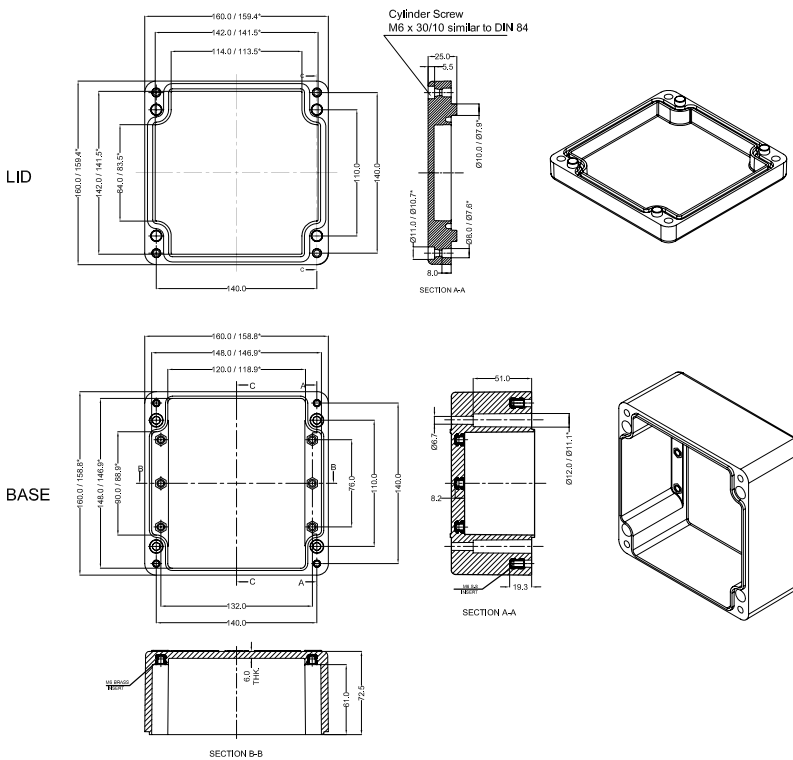
MP007163 - 160mm x 75mm x 75mm



Optional Accessories		
Part Name	Qty.	Availability
Mounting Plate	1	Y
Mounting Brackets	4	Y
Din Rail TS15	1	Y

* = Conical form tapering downward,
Untoleranced dimensions per DIN 16901-140

MP007164 - 160mm x 160mm x 90mm



Optional Accessories		
Part Name	Qty.	Availability
Mounting Plate	1	Y
External Hinge	1	Y
Mounting Brackets	4	Y
Din Rail TS35	1	Y

* = Conical form tapering downward,
Untoleranced dimensions per DIN 16901-140

Dimensions : Millimetres

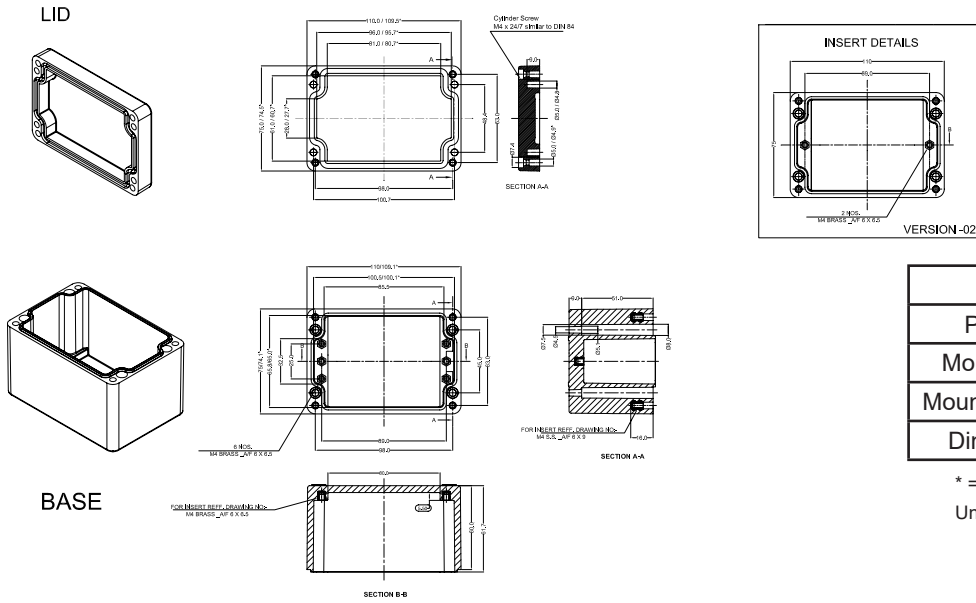
Newark.com/multicomp-pro
Farnell.com/multicomp-pro
Element14.com/multicomp-pro

multicomp PRO

ATEX Glass Reinforced Polyester Enclosures with Silicon Seal

multicomp PRO

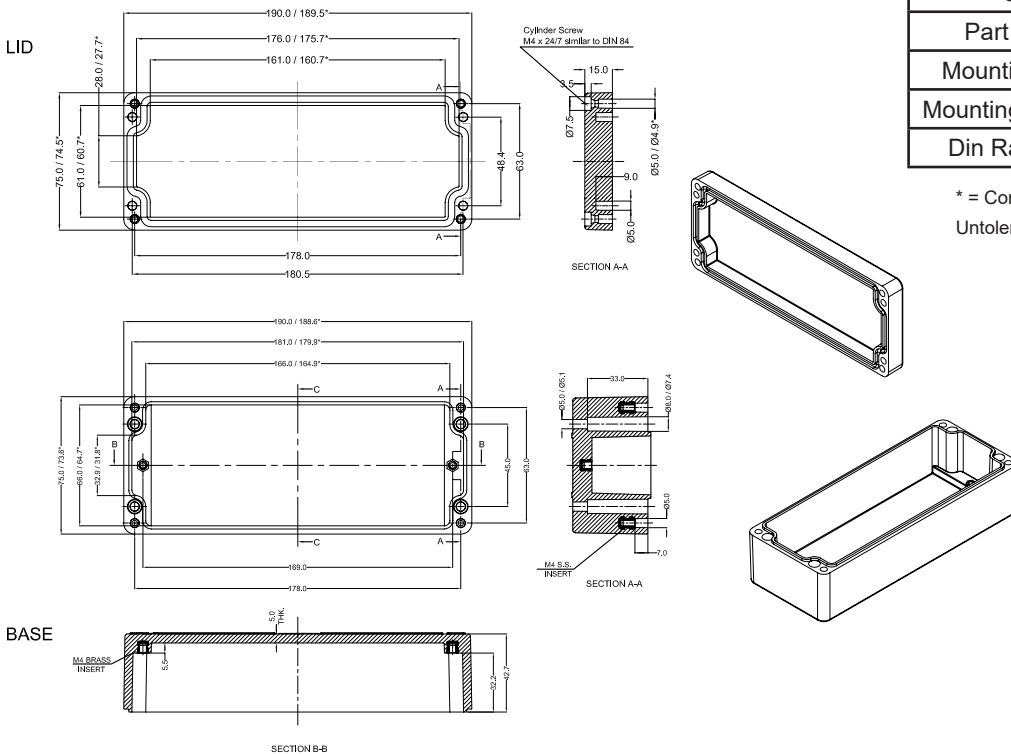
MP007165 - 110mm x 75mm x 75mm



Optional Accessories		
Part Name	Qty.	Availability
Mounting Plate	1	Y
Mounting Brackets	4	Y
Din Rail TS15	1	Y

* = Conical form tapering downward,
Untoleranced dimensions per DIN 16901-140

MP007166 - 190mm x 75mm x 55mm



Optional Accessories		
Part Name	Qty.	Availability
Mounting Plate	1	Y
Mounting Brackets	4	Y
Din Rail TS15	1	Y

* = Conical form tapering downward,
Untoleranced dimensions per DIN 16901-140

Dimensions : Millimetres

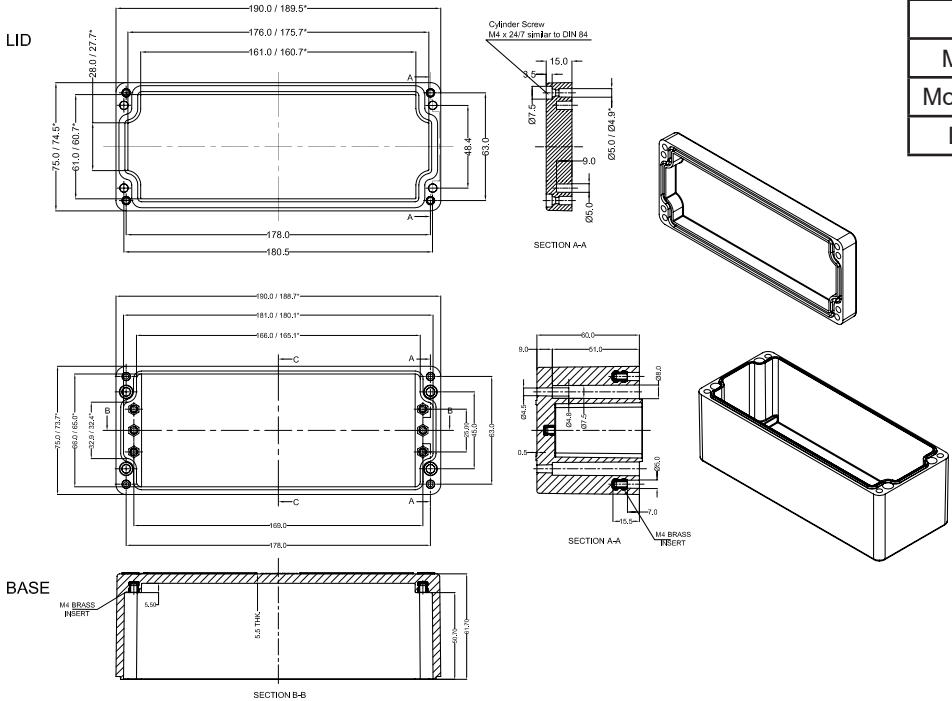
Newark.com/multicomp-pro
Farnell.com/multicomp-pro
Element14.com/multicomp-pro

multicomp PRO

ATEX Glass Reinforced Polyester Enclosures with Silicon Seal

multicomp PRO

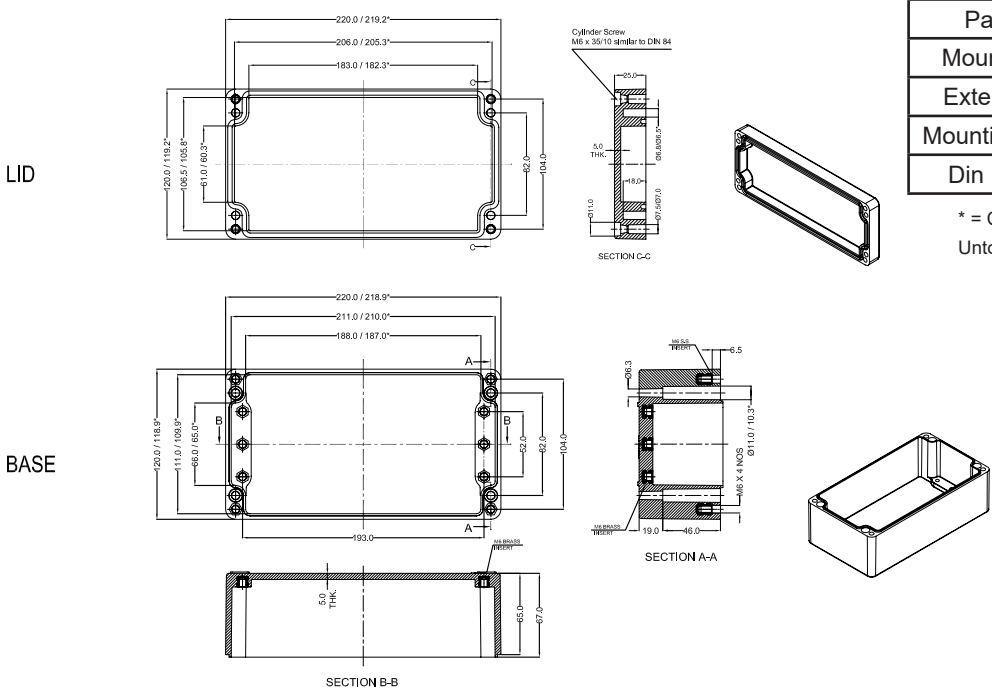
MP007167 - 190mm x 75mm x 75mm



Optional Accessories		
Part Name	Qty.	Availability
Mounting Plate	1	Y
Mounting Brackets	4	Y
Din Rail TS15	1	Y

* = Conical form tapering downward,
Untoleranced dimensions per DIN 16901-140

MP007168 - 220mm x 120mm x 90mm



Optional Accessories		
Part Name	Qty.	Availability
Mounting Plate	1	Y
External Hinge	1	Y
Mounting Brackets	4	Y
Din Rail TS35	1	Y

* = Conical form tapering downward,
Untoleranced dimensions per DIN 16901-140

Dimensions : Millimetres

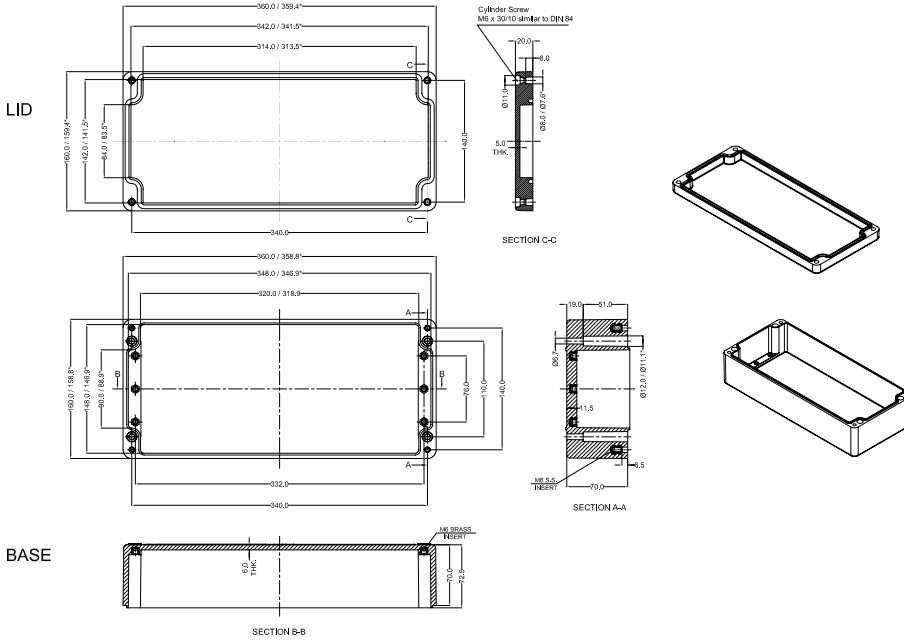
Newark.com/multicomp-pro
Farnell.com/multicomp-pro
Element14.com/multicomp-pro

multicomp PRO

ATEX Glass Reinforced Polyester Enclosures with Silicon Seal

multicomp PRO

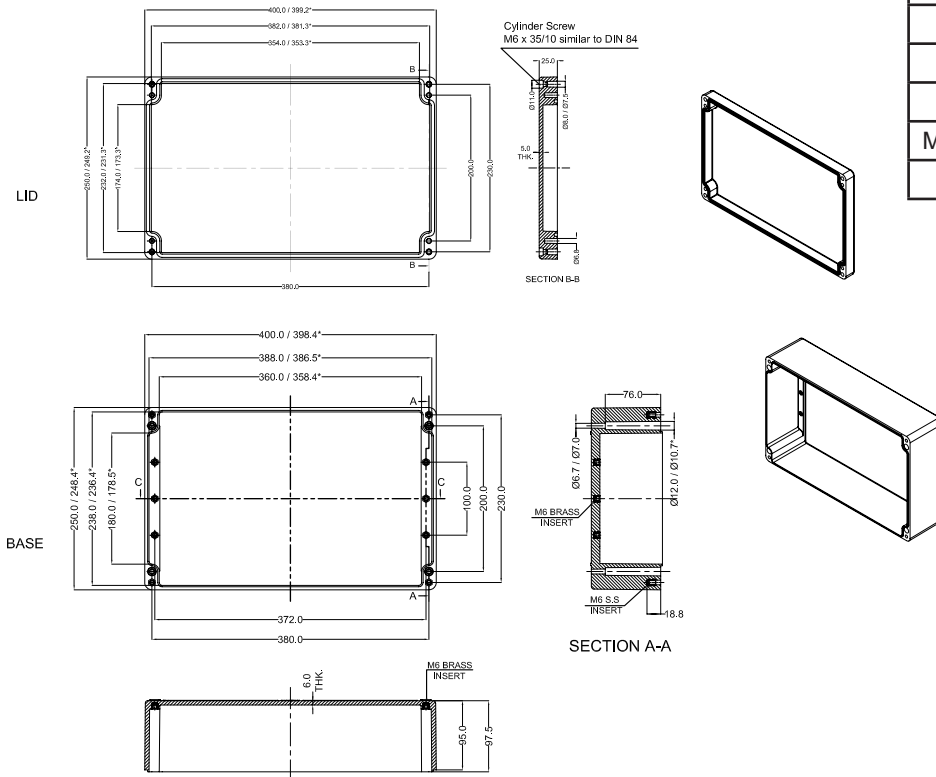
MP007171 - 360mm × 160mm × 90mm



Optional Accessories		
Part Name	Qty.	Availability
Mounting Plate	1	Y
External Hinge	1	Y
Mounting Brackets	4	Y
Din Rail TS35	1	Y

* = Conical form tapering downward,
Untoleranced dimensions per DIN 16901-140

MP007172 - 400mm × 250mm × 120mm



Optional Accessories		
Part Name	Qty.	Availability
Mounting Plate	1	Y
External Hinge	1	Y
Mounting Brackets	4	Y
Din Rail TS35	1	Y

* = Conical form tapering downward,
Untoleranced dimensions per DIN 16901-140

Dimensions : Millimetres

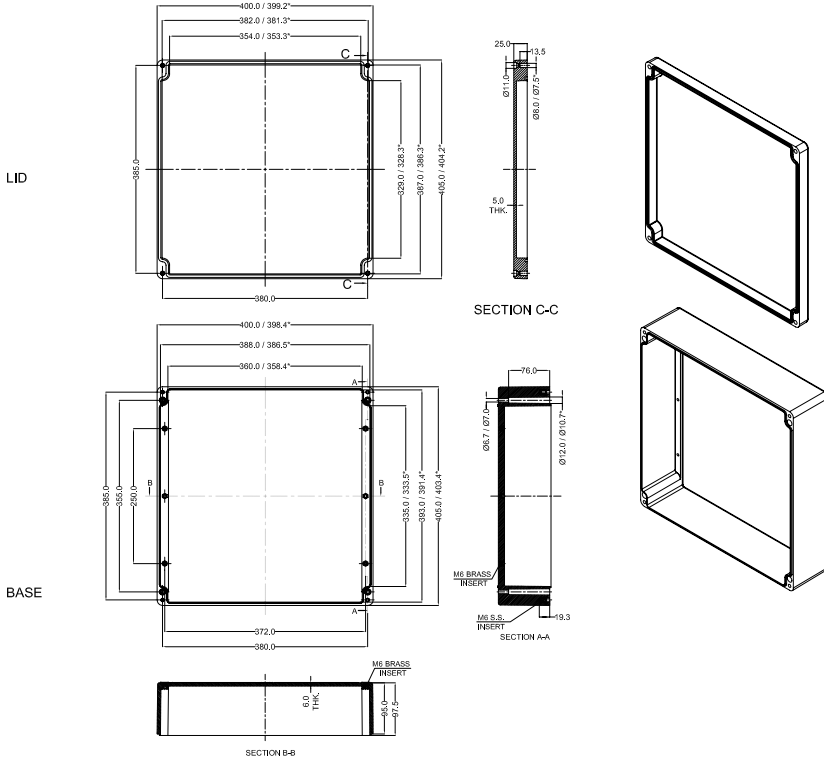
Newark.com/multicomp-pro
Farnell.com/multicomp-pro
Element14.com/multicomp-pro

multicomp PRO

ATEX Glass Reinforced Polyester Enclosures with Silicon Seal

multicomp PRO

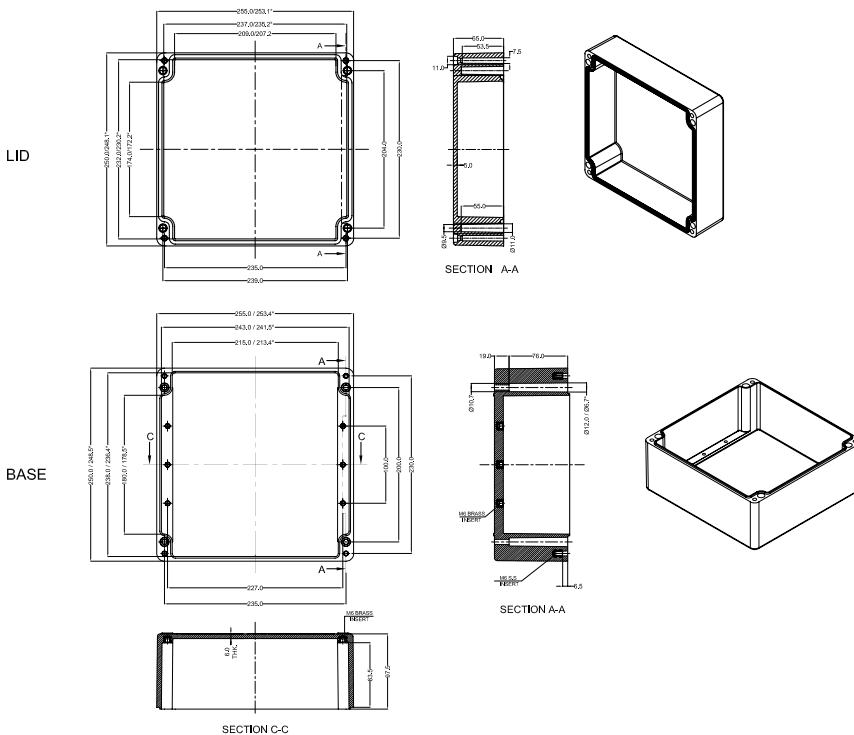
MP007173 - 405mm x 400mm x 120mm



Optional Accessories		
Part Name	Qty.	Availability
Mounting Plate	1	Y
External Hinge	1	Y
Mounting Brackets	4	Y
Din Rail TS35	1	Y

* = Conical form tapering downward,
Untoleranced dimensions per DIN 16901-140

MP007174 - 255mm x 250mm x 160mm



Optional Accessories		
Part Name	Qty.	Availability
Mounting Plate	1	Y
External Hinge	1	Y
Mounting Brackets	4	Y
Din Rail TS35	1	Y

* = Conical form tapering downward,
Untoleranced dimensions per DIN 16901-140

Dimensions : Millimetres

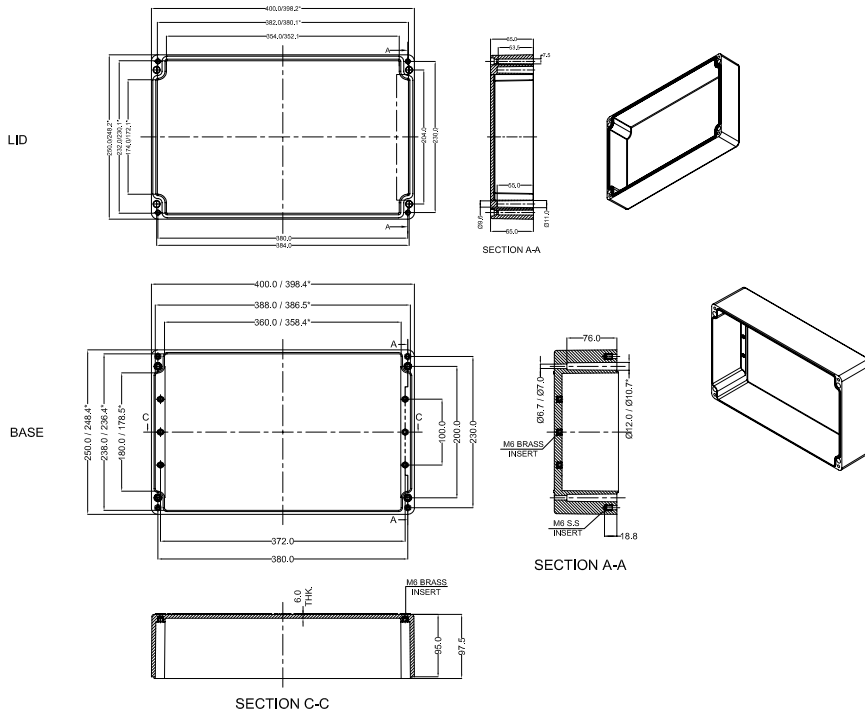
Newark.com/multicomp-pro
Farnell.com/multicomp-pro
Element14.com/multicomp-pro

multicomp PRO

ATEX Glass Reinforced Polyester Enclosures with Silicon Seal

multicomp PRO

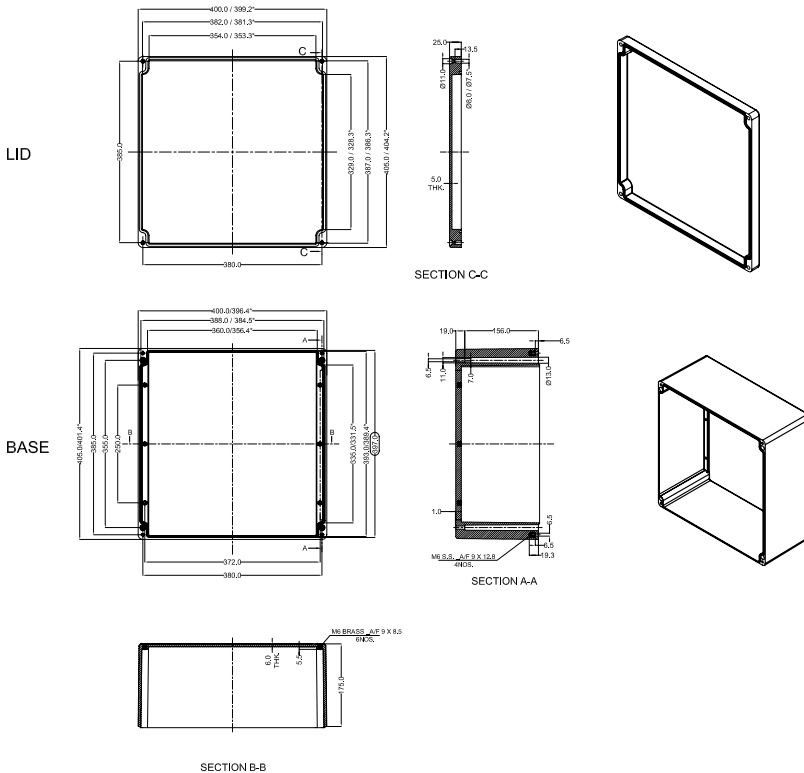
MP007175 - 400mm x 250mm x 160mm



Optional Accessories		
Part Name	Qty.	Availability
Mounting Plate	1	Y
External Hinge	1	Y
Mounting Brackets	4	Y
Din Rail TS35	1	Y

* = Conical form tapering downward,
Untoleranced dimensions per DIN 16901-140

MP007176 - 405mm x 400mm x 201mm



Optional Accessories		
Part Name	Qty.	Availability
Mounting Plate	1	Y
External Hinge	1	Y
Mounting Brackets	4	Y
Din Rail TS35	1	Y

* = Conical form tapering downward,
Untoleranced dimensions per DIN 16901-140

Dimensions : Millimetres

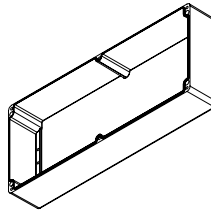
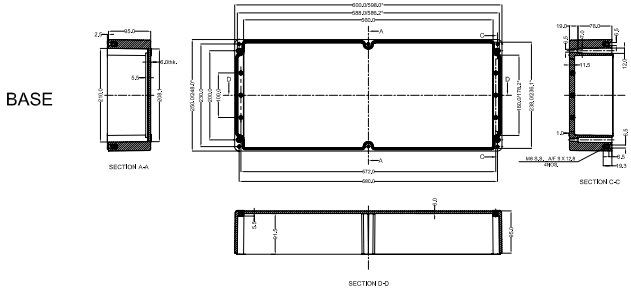
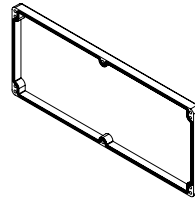
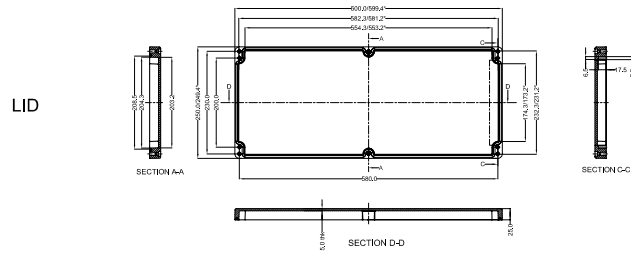
Newark.com/multicomp-pro
Farnell.com/multicomp-pro
Element14.com/multicomp-pro

multicomp PRO

ATEX Glass Reinforced Polyester Enclosures with Silicon Seal

multicomp PRO

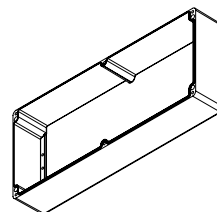
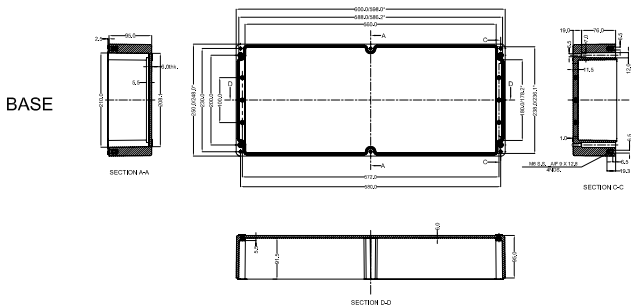
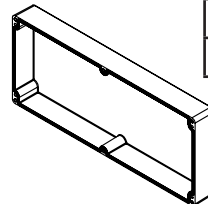
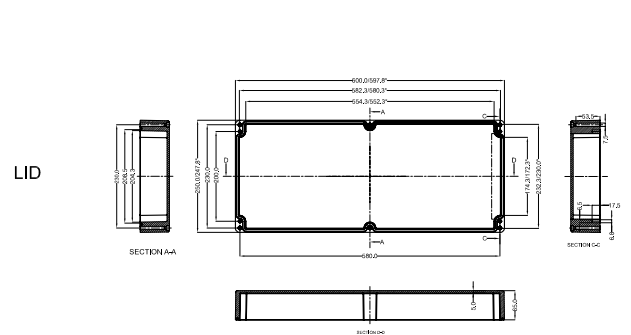
MP007177 - 600mm x 250mm x 121mm



Optional Accessories		
Part Name	Qty.	Availability
Mounting Plate	1	Y
External Hinge	1	Y
Mounting Brackets	4	Y
Din Rail TS35	1	Y

* = Conical form tapering downward,
Untoleranced dimensions per DIN 16901-140

MP007178 - 600mm x 250mm x 161mm



Optional Accessories		
Part Name	Qty.	Availability
Mounting Plate	1	Y
External Hinge	1	Y
Mounting Brackets	4	Y
Din Rail TS35	1	Y

* = Conical form tapering downward,
Untoleranced dimensions per DIN 16901-140

Dimensions : Millimetres

multicomp PRO

ATEX Glass Reinforced Polyester Enclosures with Silicon Seal



Part Number Table

Description	Part Number
ATEX GRP Enclosures with Silicon Seal, Black, IP66, 80mm x 75mm x 55mm	MP007158
ATEX GRP Enclosures with Silicon Seal, Black, IP66, 110mm x 75mm x 55mm	MP007159
ATEX GRP Enclosures with Silicon Seal, Black, IP66, 122mm x 120mm x 90mm	MP007160
ATEX GRP Enclosures with Silicon Seal, Black, IP66, 80mm x 75mm x 75mm	MP007161
ATEX GRP Enclosures with Silicon Seal, Black, IP66, 160mm x 75mm x 55mm	MP007162
ATEX GRP Enclosures with Silicon Seal, Black, IP66, 160mm x 75mm x 75mm	MP007163
ATEX GRP Enclosures with Silicon Seal, Black, IP66, 160mm x 160mm x 90mm	MP007164
ATEX GRP Enclosures with Silicon Seal, Black, IP66, 110mm x 75mm x 75mm	MP007165
ATEX GRP Enclosures with Silicon Seal, Black, IP66, 190mm x 75mm x 55mm	MP007166
ATEX GRP Enclosures with Silicon Seal, Black, IP66, 190mm x 75mm x 75mm	MP007167
ATEX GRP Enclosures with Silicon Seal, Black, IP66, 220mm x 120mm x 90mm	MP007168
ATEX GRP Enclosures with Silicon Seal, Black, IP66, 255mm x 250mm x 120mm	MP007169
ATEX GRP Enclosures with Silicon Seal, Black, IP66, 260mm x 160mm x 90mm	MP007170
ATEX GRP Enclosures with Silicon Seal, Black, IP66, 360mm x 160mm x 90mm	MP007171
ATEX GRP Enclosures with Silicon Seal, Black, IP66, 400mm x 250mm x 120mm	MP007172
ATEX GRP Enclosures with Silicon Seal, Black, IP66, 400mm x 405mm x 120mm	MP007173
ATEX GRP Enclosures with Silicon Seal, Black, IP66, 255mm x 250mm x 160mm	MP007174
ATEX GRP Enclosures with Silicon Seal, Black, IP66, 400mm x 250mm x 160mm	MP007175
ATEX GRP Enclosures with Silicon Seal, Black, IP66, 400mm x 405mm x 201mm	MP007176
ATEX GRP Enclosures with Silicon Seal, Black, IP66, 600mm x 250mm x 121mm	MP007177
ATEX GRP Enclosures with Silicon Seal, Black, IP66, 600mm x 250mm x 161mm	MP007178

Important Notice : This data sheet and its contents (the "Information") belong to the members of the AVNET group of companies (the "Group") or are licensed to it. No licence is granted for the use of it other than for information purposes in connection with the products to which it relates. No licence of any intellectual property rights is granted. The Information is subject to change without notice and replaces all data sheets previously supplied. The Information supplied is believed to be accurate but the Group assumes no responsibility for its accuracy or completeness, any error in or omission from it or for any use made of it. Users of this data sheet should check for themselves the Information and the suitability of the products for their purpose and not make any assumptions based on information included or omitted. Liability for loss or damage resulting from any reliance on the Information or use of it (including liability resulting from negligence or where the Group was aware of the possibility of such loss or damage arising) is excluded. This will not operate to limit or restrict the Group's liability for death or personal injury resulting from its negligence. Multicomp Pro is the registered trademark of Premier Farnell Limited 2019.

Newark.com/multicomp-pro
 Farnell.com/multicomp-pro
 Element14.com/multicomp-pro

