



MP005736

MP004422

MP004423

Specifications

Pattern	: 2 (ON-OFF double pole) Illuminated
Terminals	: Tab 6.3mm × 0.8mm
Class of Appliance	: II
Rated Voltage	: 250V~
Load A ^A	: 20A
Load B ^B	: 2A
Electrical life	: 10,000 cycles
Max. Temperature ^C	: 125°C / 55°C
Standard	: EN 61058-1
Mechanical Life	: > 50,000 cycles
Protection Degree	: IP40
Contact Opening	: Full disconnection (>3mm)

Materials

Plastic Parts

Housing	: PA 6.6 (250V / UL-94 V2)
Sub-rocker	: PA 6.6 (250V / UL-94 V2)
Lens	: Polycarbonate (250V / UL-94 V2)

Metal Parts

Side fixed terminal	: Copper Alloy (Silver Plated)
Fixed contact	: Silver
Movable contact carrier	: Copper Alloy (Silver Plated)
Movable contact	: Silver
Middle fixed terminal	: Copper Alloy (Silver Plated)

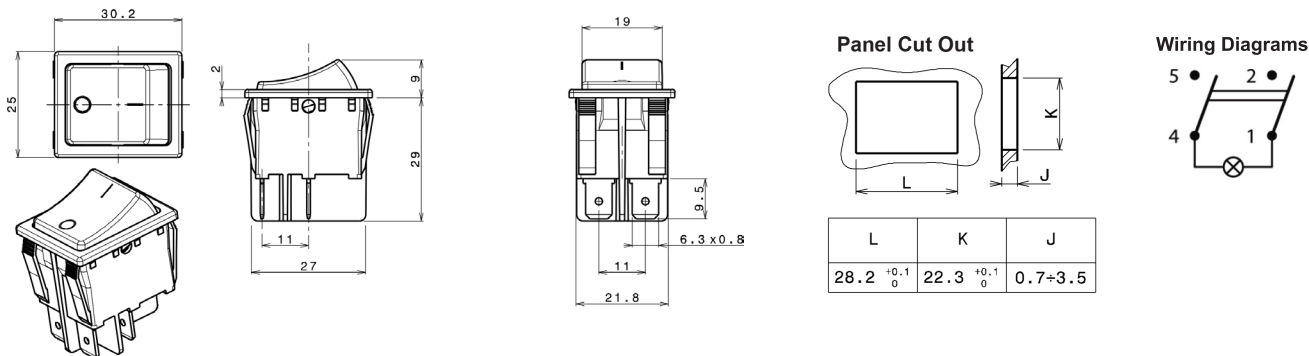
Notes

- (a) Resistive load unless otherwise noted.
- (b) Inductive load unless otherwise noted.
- (c) If rocker switch housing max temperature / rocker max temperature, otherwise switch max temperature.

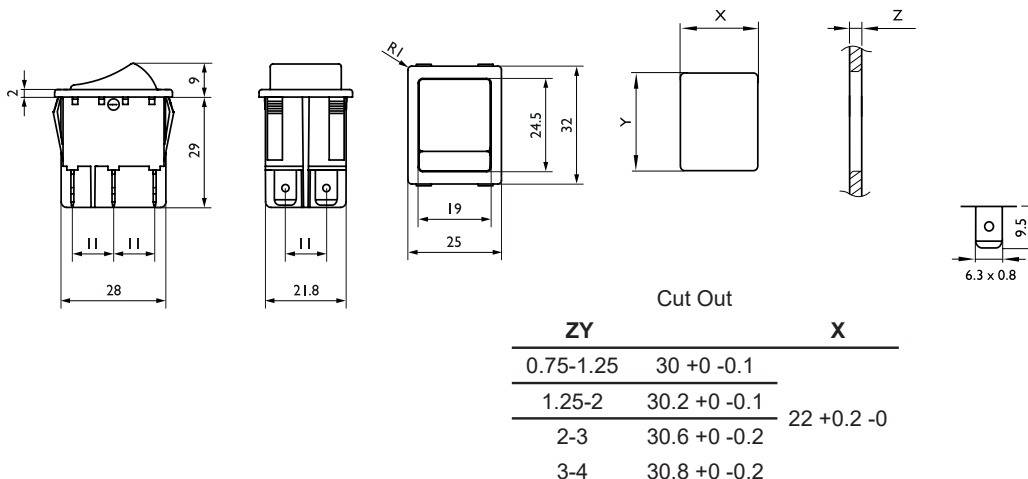
Rocker Switches

Diagram

MP005736



MP004422 & MP004423



Part Number Table

Description	Part Number
Rocker Switch, On-None-Off, DPST, Illuminated, Panel Mount, Red	MP005736
Rocker Switch, 0 I Mark, DPST, Illuminated, Panel Mount, Green	MP004422
Rocker Switch, 0 I Mark, DPST, Illuminated, Panel Mount, Red	MP004423

Dimensions : Millimetres

Important Notice : This data sheet and its contents (the "Information") belong to the members of the AVNET group of companies (the "Group") or are licensed to it. No licence is granted for the use of it other than for information purposes in connection with the products to which it relates. No licence of any intellectual property rights is granted. The Information is subject to change without notice and replaces all data sheets previously supplied. The Information supplied is believed to be accurate but the Group assumes no responsibility for its accuracy or completeness, any error in or omission from it or for any use made of it. Users of this data sheet should check for themselves the Information and the suitability of the products for their purpose and not make any assumptions based on information included or omitted. Liability for loss or damage resulting from any reliance on the Information or use of it (including liability resulting from negligence or where the Group was aware of the possibility of such loss or damage arising) is excluded. This will not operate to limit or restrict the Group's liability for death or personal injury resulting from its negligence. Multicomp Pro is the registered trademark of Premier Farnell Limited 2019.

Newark.com/multicomp-pro
 Farnell.com/multicomp-pro
 Element14.com/multicomp-pro