

176152-1 ✓ ACTIVE

AMPLIMITE | AMPLIMITE Kit

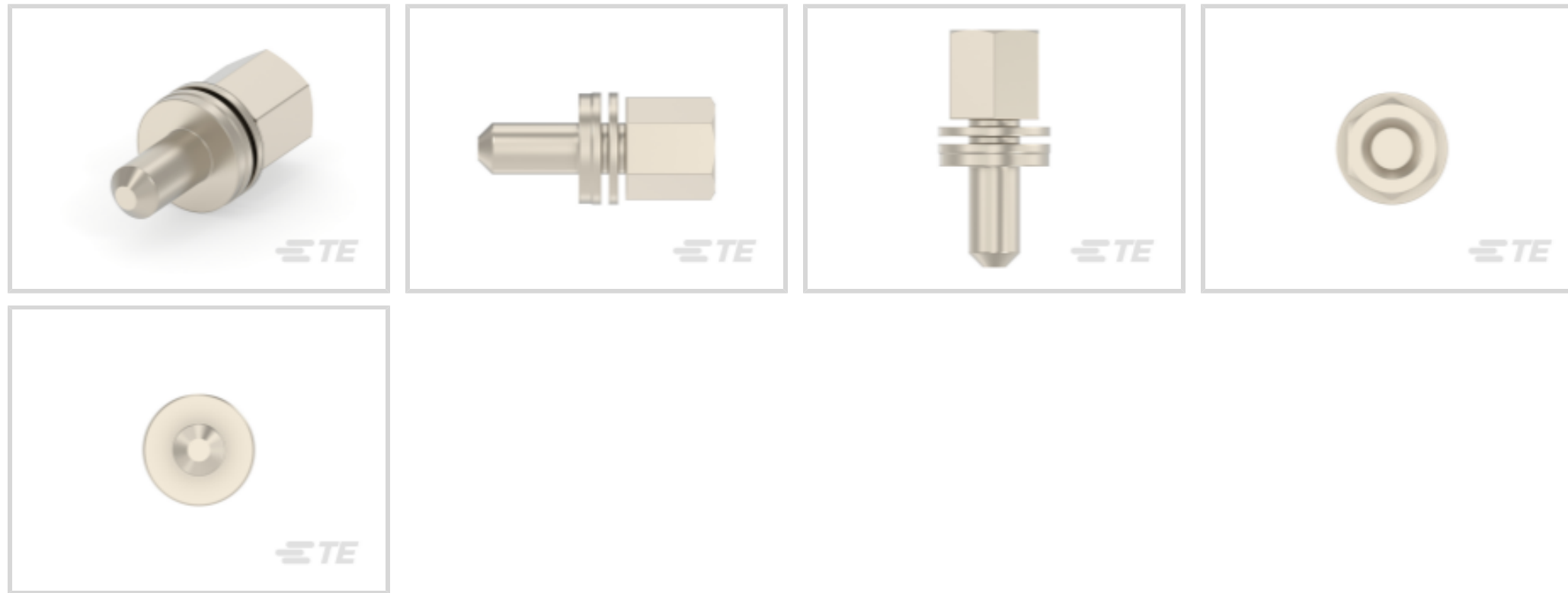
TE Internal #: 176152-1

D-Sub Locking & Mounting, Female Screwlock Assembly Kit, Screw Length 12.7 mm [.5 in], AMPLIMITE Kit

[View on TE.com >](#)



Connectors > D-Shaped Connectors > D-Sub Accessories > D-Sub Locking & Mounting



Connector Mounting Accessory Type: **Female Screwlock Assembly Kit**

Screw Length: **12.7 mm [.5 in]**

Features

Product Type Features

Connector Mounting Accessory Type	Female Screwlock Assembly Kit
-----------------------------------	-------------------------------

Mechanical Attachment

Screwlock Style	Screwlock with Lockwasher and Hex Nut
Screw Finish	None
Screw & Hole Thread Size	4-40 UNC
Screw Length	12.7 mm [.5 in]

Dimensions

Thread Length	7.92 mm [.312 in]
---------------	-------------------

Packaging Features

Packaging Quantity	2
Packaging Method	Individual

Product Compliance

[For compliance documentation, visit the product page on TE.com>](#)

EU RoHS Directive 2011/65/EU	Compliant with Exemptions
EU ELV Directive 2000/53/EC	Compliant with Exemptions

China RoHS 2 Directive MIIT Order No 32, 2016

Restricted Materials Above Threshold

EU REACH Regulation (EC) No. 1907/2006

Current ECHA Candidate List: JAN 2023
(233)Candidate List Declared Against: JAN 2023
(233)

SVHC > Threshold:

Pb (.26% in Component Part)

Article Safe Usage Statements:

Do not eat, drink or smoke when using this product. Wash thoroughly after handling. Recycle if possible and dispose of the article by following all applicable governmental regulations relevant to your geographic location.

Halogen Content

Low Halogen - Br, Cl, F, I < 900 ppm per
homogenous material. Also BFR/CFR/PVC
Free

Solder Process Capability

Not applicable for solder process capability

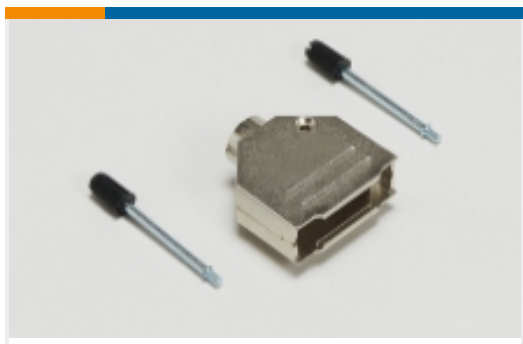
Product Compliance Disclaimer

This information is provided based on reasonable inquiry of our suppliers and represents our current actual knowledge based on the information they provided. This information is subject to change. The part numbers that TE has identified as EU RoHS compliant have a maximum concentration of 0.1% by weight in homogenous materials for lead, hexavalent chromium, mercury, PBB, PBDE, DBP, BBP, DEHP, DIBP, and 0.01% for cadmium, or qualify for an exemption to these limits as defined in the Annexes of Directive 2011/65/EU (RoHS2). Finished electrical and electronic equipment products will be CE marked as required by Directive 2011/65/EU. Components may not be CE marked. Additionally, the part numbers that TE has identified as EU ELV compliant have a maximum concentration of 0.1% by weight in homogenous materials for lead, hexavalent chromium, and mercury, and 0.01% for cadmium, or qualify for an exemption to these limits as defined in the Annexes of Directive 2000/53/EC (ELV). Regarding the REACH Regulation, the information TE provides on SVHC in articles for this part number is based on the latest European Chemicals Agency (ECHA) 'Guidance on requirements for substances in articles' posted at this URL: <https://echa.europa.eu/guidance-documents/guidance-on-reach>

Compatible Parts

TE Part # 2294781-1
KIT, SCREWLOCK, FEMALE,
AMPLIMITE

Also in the Series | **AMPLIMITE Kit**



D-Sub Backshells & Clamps(135)



D-Sub Contact Accessories(1)



D-Sub Covers(3)



D-Sub Locking & Mounting(120)

Customers Also Bought



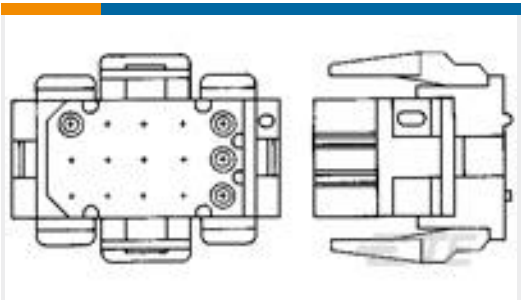
TE Part #207464-7
HDP-20, PLUG, SIZE 3, 25 POSN



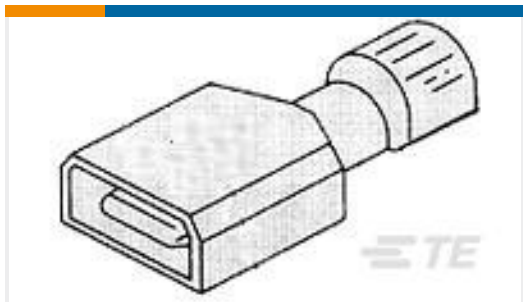
TE Part #206438-1
CPC RECPT ASSEMBLY SIZE 23-57



TE Part #166995-2
20DP CRIMP PIN



TE Part #1-640522-0
12P MR II PLUG HSG



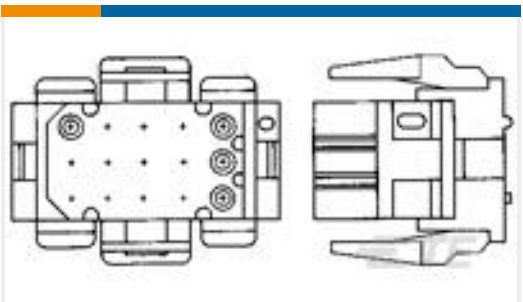
TE Part #2-521055-2
ULTRAFast 250 ASSY TAB 22-18
AWG TPBR



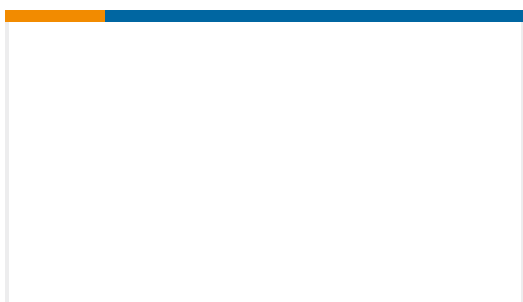
TE Part #5-456135-7
CRIMPER, INSULATION "O" (.062")



TE Part #1-456402-5
CRIMPER WIRE .055 F



TE Part #1-640524-0
20P MR II PLUG HSG V0



TE Part #170284-1
SPARK SUPPRESSER CONTACT TIN P

Documents

Product Drawings

[SCREWLOCK KIT FOR AMPLIMITE](#)

English

CAD Files

[Customer View Model](#)

[ENG_CVM_CVM_176152-1_B1.3d_igs.zip](#)

English

[Customer View Model](#)



[ENG_CVM_CVM_176152-1_B1.3d_stp.zip](#)

English

Customer View Model

[ENG_CVM_CVM_176152-1_B1.2d_dxf.zip](#)

English

3D PDF

3D

3D PDF

English

Customer View Model

[ENG_CVM_176152-1_B.2d_dxf.zip](#)

English

Customer View Model

[ENG_CVM_176152-1_B.3d_igs.zip](#)

English

Customer View Model

[ENG_CVM_176152-1_B.3d_stp.zip](#)

English

By downloading the CAD file I accept and agree to the [Terms and Conditions](#) of use.

Product Environmental Compliance

TE Material Declaration

English