


## Universal Handles GT from Silicone or Rubber NBR

**Material Type S:** Elastomer silicone, black, hardness 70° +/-5° Shore A. Metall part stainless steel 1.4301 (AISI 304). 

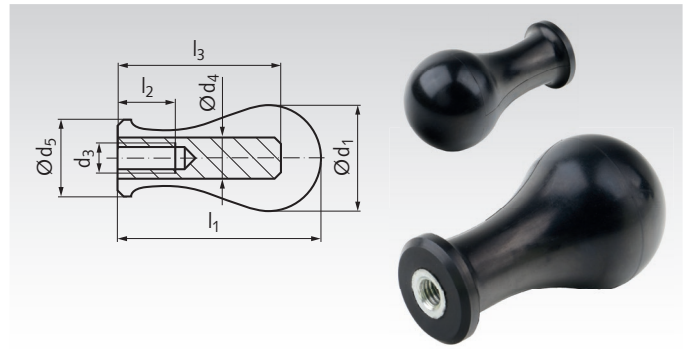
**Material Type N:** Elastomer NBR, black, hardness 75° +/-5° Shore A. Metall part stainless steel 1.4301 (AISI 304).

Versatile handle, with internal thread. Long shape with big ball-end, easy and safe to grip, also with thick gloves. On choice from silicone for food machines / household sector or from oil-resistant NBR for general use in mechanical engineering.

Temperature range type S: -55°C to +225°C.


Temperature range type N: -10°C to +100°C.

Ordering Details: e.g.: Product No. 662 400 04, Universal Handle GT Type S, 25mm



| Product No. Type S | Product No. Type N | d <sub>1</sub> mm | d <sub>3</sub> mm | d <sub>4</sub> mm | d <sub>5</sub> mm | l <sub>1</sub> mm | l <sub>2</sub> mm | l <sub>3</sub> mm | Weight g |
|--------------------|--------------------|-------------------|-------------------|-------------------|-------------------|-------------------|-------------------|-------------------|----------|
| 662 400 04         | 662 401 04         | 25                | M4                | 10                | 18                | 49                | 8                 | 40                | 38       |
| 662 400 05         | 662 401 05         | 29                | M5                | 10                | 21                | 57                | 10                | 45                | 44       |
| 662 400 06         | 662 401 06         | 33                | M6                | 10                | 24                | 65                | 12                | 50                | 56       |
| 662 400 08         | 662 401 08         | 38                | M8                | 13                | 27                | 73,5              | 16                | 58,5              | 98       |
| 662 400 10         | 662 401 10         | 42                | M10               | 16                | 30                | 82                | 20                | 65                | 160      |

## Universal Handles GT-A from Silicone or Rubber NBR, with Threaded Stud

**Material Type S:** Elastomer silicone, black, hardness 70° +/-5° Shore A. Metall part stainless steel 1.4301 (AISI 304). 

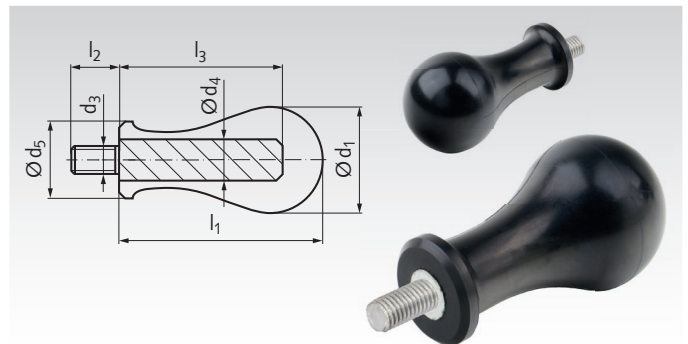
**Material Type N:** Elastomer NBR, black, hardness 75° +/-5° Shore A. Metall part stainless steel 1.4301 (AISI 304).

Versatile handle, with threaded stud. Long shape with big ball-end, easy and safe to grip, also with thick gloves. On choice from silicone for food machines / household sector or from oil-resistant NBR for general use in mechanical engineering.

Temperature range type S: -55°C to +225°C.

Temperature range type N: -10°C to +100°C.

Ordering Details: e.g.: Product No. 662 402 04, Universal Handle GT-A Type S, 25mm



| Product No. Type S | Product No. Type N | d <sub>1</sub> mm | d <sub>3</sub> mm | d <sub>4</sub> mm | d <sub>5</sub> mm | l <sub>1</sub> mm | l <sub>2</sub> mm | l <sub>3</sub> mm | Weight g |
|--------------------|--------------------|-------------------|-------------------|-------------------|-------------------|-------------------|-------------------|-------------------|----------|
| 662 402 04         | 662 403 04         | 25                | M4                | 10                | 18                | 49                | 6,5               | 40                | 39       |
| 662 402 05         | 662 403 05         | 29                | M5                | 10                | 21                | 57                | 8                 | 45                | 46       |
| 662 402 06         | 662 403 06         | 33                | M6                | 10                | 24                | 65                | 9                 | 50                | 59       |
| 662 402 08         | 662 403 08         | 38                | M8                | 13                | 27                | 73,5              | 12                | 58,5              | 106      |
| 662 402 10         | 662 403 10         | 42                | M10               | 16                | 30                | 82                | 15                | 65                | 175      |