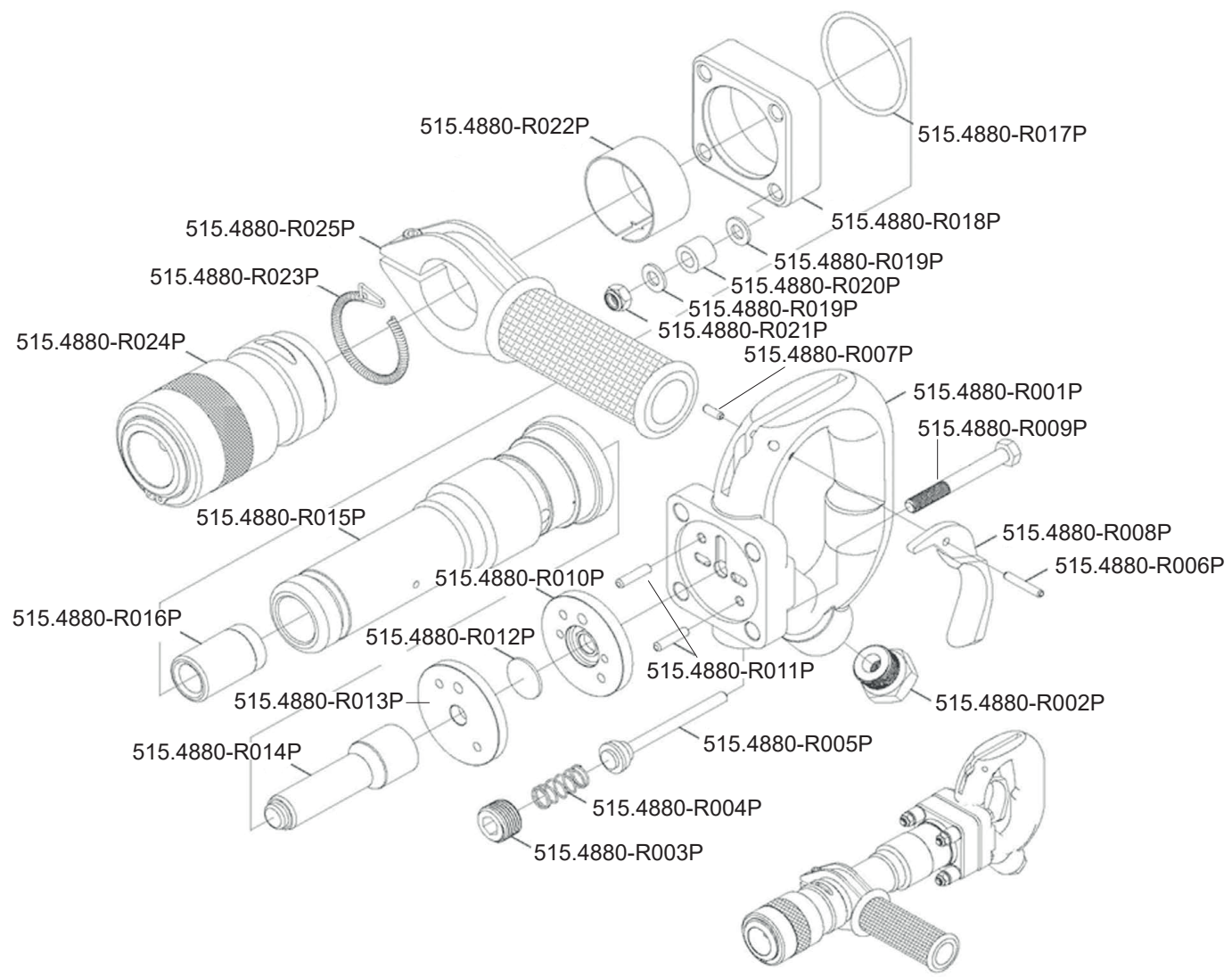


Art. 515.4480



**Art. 515.4480**

Art.-Nr.	Description	Beschreibung	Menge Qty.
515.4880-R001P	Handle	Handgriff	1
515.4880-R002P	Inlet bushing 3/8"	Einlassadapter 3/8"	1
515.4880-R003P	Socket set screw 1/2"	Verschlusschraube 1/2"	1
515.4880-R004P	Valve spring	Ventilfeder	1
515.4880-R005P	Valve stem	Ventilbolzen	1
515.4880-R006P	Spring pin 4 x 26 mm	Splint 4 x 26 mm	1
515.4880-R007P	Spring pin 4 x 12 mm	Splint 4 x 12 mm	1
515.4880-R008P	Trigger	Abzughebel	1
515.4880-R009P	Handle bolt M8	Schraube für Handgriff M 8	4
515.4880-R010P	Upper valve case	Ventilplatte hinten	1
515.4880-R011P	Spring pin 5 x 22 mm	Splint 5 x 22 mm	2
515.4880-R012P	Valve disc	Ventilscheibe	1
515.4880-R013P	Lower valve case	Ventilplatte vorne	1

Art.-Nr.	Description	Beschreibung	Menge Qty.
515.4880-R014P	Piston	Kolben	1
515.4880-R015P	Cylinder	Zylinder	1
515.4880-R016P	Cylinder bushing	Führungshülse 6-kant	1
515.4880-R017P	O-Ring 55 x 3 mm	O-Ring 55 x 3 mm	1
515.4880-R018P	Cylinder flange	Zylinderflansch	1
515.4880-R019P	Washer	Scheibe	8
515.4880-R020P	Muffler	Dämpfer	4
515.4880-R021P	Nut M8	Mutter M8	4
515.4880-R022P	Exhaust deflector	Auspuff-Abweiser	1
515.4880-R023P	Lock spring	Verschlussfeder	1
515.4880-R024P	Quick change Retainer	Schnellspannfutter	1
515.4880-R025P	Front handle	Haltegriff	1