

SVGA HD15 Male to Female Monitor Lead

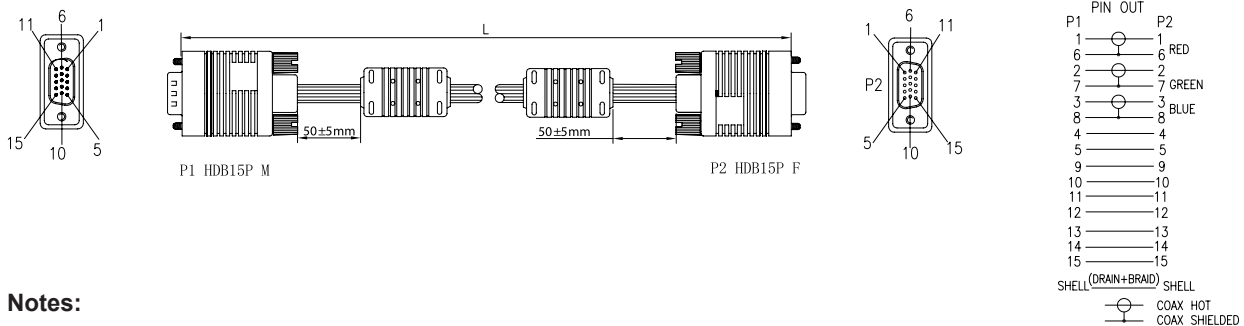


**RoHS
Compliant**

Specifications

Connector Type A : D Subminiature H/D Plug, VGA, 15 Way
 Connector Type B : D Subminiature H/D Socket, VGA, 15 Way
 Jacket Colour : Black

Diagram



Notes:

Materials

1. Cable: {[7/0.12BC(FPE)1.5)x1C+D(7/0.12BC)+FAM]x3CO+7/0.12BC(HDPE0.62)x9C}+AM+D(7/0.12BC)+B(16/8/0.12ALM)
+Black PVC Jacket). OD = Ø8.2 ±0.2mm.
2. P1: HDB 15 Pin Male: Solder Type, Blue PBT Insulation, Gold Flash Contacts, Nickel Plated Shell
3. P2: Hdb 15 Pin Female: Solder Type, Blue Pbt Insulation, Gold Flash Contacts, Nickel Plated Shell
4. Hood Molded Black PVC
5. Thumb Screw to be Molded Black PVC
6. Ferrite Screw to be Molded Black PVC

Part Number Table

Description	"L"	Part Number
SVGA HD15 Male to Female Monitor Lead, Black	500 ±30mm	PSG90892
	1000 ±30mm	PSG90719
	2000 ±50mm	PSG90720
	3000 ±70mm	PSG90721
	5000 ±70mm	PSG90722
	10000 ±150mm	PSG90723
	15000 ±200mm	PSG90724
	20000 ±300mm	PSG90725
	25000 ±300mm	PSG90726
30000 ±300mm	PSG90727	

Dimensions : Millimetres

Important Notice : This data sheet and its contents (the "Information") belong to the members of the AVNET group of companies (the "Group") or are licensed to it. No licence is granted for the use of it other than for information purposes in connection with the products to which it relates. No licence of any intellectual property rights is granted. The Information is subject to change without notice and replaces all data sheets previously supplied. The Information supplied is believed to be accurate but the Group assumes no responsibility for its accuracy or completeness, any error in or omission from it or for any use made of it. Users of this data sheet should check for themselves the Information and the suitability of the products for their purpose and not make any assumptions based on information included or omitted. Liability for loss or damage resulting from any reliance on the Information or use of it (including liability resulting from negligence or where the Group was aware of the possibility of such loss or damage arising) is excluded. This will not operate to limit or restrict the Group's liability for death or personal injury resulting from its negligence. pro-SIGNAL is the registered trademark of Premier Farnell Limited 2019.

Newark.com/exclusive-brands
 Farnell.com/exclusive-brands
 Element14.com/exclusive-brands

