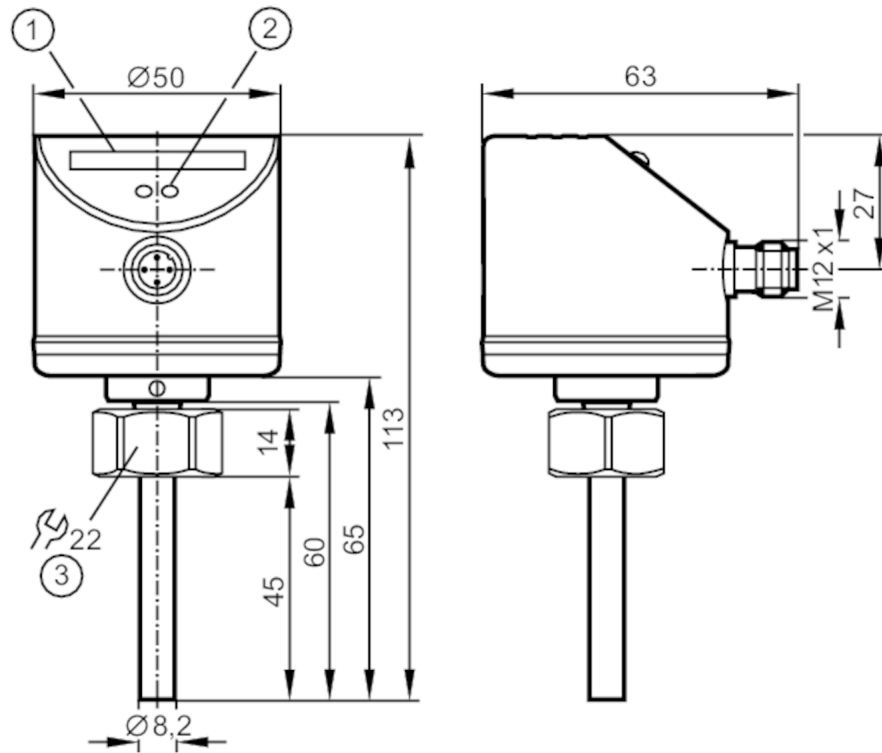


# SI5004



## Flow transmitter

SID10ADB100G/



- 1 LED bar display
- 2 setting pushbutton
- 3 Tightening torque 25 Nm



### Product characteristics

Number of inputs and outputs	Number of analogue outputs: 1
Process connection	threaded connection M18 x 1,5 internal thread

### Application

Media	Liquids
Medium temperature [°C]	-25...80
Pressure rating	300 bar 30 MPa
MAWP (for applications according to CRN) [bar]	208

### Liquids

Medium temperature [°C]	-25...80
-------------------------	----------

### Electrical data

Operating voltage [V]	19...36 DC
Current consumption [mA]	< 60
Protection class	III
Reverse polarity protection	yes
Power-on delay time [s]	10

### Inputs / outputs

Number of inputs and outputs	Number of analogue outputs: 1
------------------------------	-------------------------------

# SI5004



## Flow transmitter

SID10ADB100G/

Outputs	
Total number of outputs	1
Output signal	analogue signal
Number of analogue outputs	1
Analogue current output [mA]	4...20
Max. load [ $\Omega$ ]	500
Overload protection	yes
Measuring/setting range	
Probe length L [mm]	45
Liquids	
Setting range [cm/s]	3...300
Greatest sensitivity [cm/s]	3...100
Accuracy / deviations	
Repeatability [cm/s]	1...5
Note on repeatability	for water 5...100 cm/s; 25 °C Factory setting
Temperature drift [cm/s x 1/K]	0.1; (for water 5...100 cm/s; 10...70 °C)
Measuring error [% of the final value]	$\pm 2... \pm 10$
Response times	
Response time [s]	1...10
Liquids	
Response time [s]	1...10
Operating conditions	
Ambient temperature [°C]	-25...80
Storage temperature [°C]	-25...100
Protection	IP 67
Tests / approvals	
EMC	DIN EN 61000-6-2 DIN EN 61000-6-3
Shock resistance	DIN EN 60068-2-27 50 g (11 ms)
Vibration resistance	DIN EN 60068-2-6 20 g (55...2000 Hz)
MTTF [years]	259
Mechanical data	
Weight [g]	230
Housing	cylindrical
Dimensions [mm]	$\varnothing 50 / L = 113$
Materials	stainless steel (316L/1.4404); stainless steel (304/1.4301); PC; PBT-GF20; EPDM/X
Materials (wetted parts)	stainless steel (316L/1.4404); O-ring: FKM 80 Shore A
Process connection	threaded connection M18 x 1,5 internal thread
Probe diameter [mm]	8.2
Installation length EL [mm]	45

# SI5004



## Flow transmitter

SID10ADB100G/

### Displays / operating elements

Display	function	10 x LED, three-colour
---------	----------	------------------------

### Remarks

Pack quantity	1 pcs.
---------------	--------

### Electrical connection

Connector: 1 x M12; coding: A



### Connection

