

Model Number

NBN3-F25R-E3-V1

Features

- Direct mounting on standard actuators

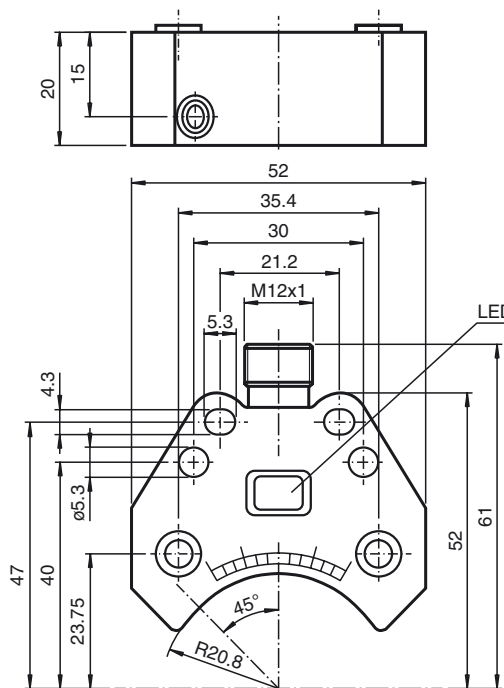
Accessories

- V1-G**
Female connector, M12, 4-pin, field attachable
- V1-W-2M-PUR**
Female cordset, M12, 4-pin, PUR cable
- V1-G-2M-PUR**
Female cordset, M12, 4-pin, PUR cable
- V1-W**
Female connector, M12, 4-pin, field attachable

Technical Data

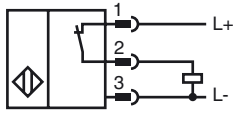
General specifications	
Switching function	Normally closed (NC)
Output type	PNP
Rated operating distance	s_n 3 mm
Installation	flush mountable
Output polarity	DC
Assured operating distance	s_a 0 ... 2.43 mm
Reduction factor r_{AI}	0.5
Reduction factor r_{CU}	0.4
Reduction factor r_{304}	1
Reduction factor r_{Si37}	1.1
Output type	3-wire
Nominal ratings	
Operating voltage	U_B 10 ... 30 V
Switching frequency	f 0 ... 500 Hz
Hysteresis	H typ. 5 %
Reverse polarity protection	all connections
Short-circuit protection	pulsing
Voltage drop	U_d \leq 3 V
Design data	
Operating current	I_L 0 ... 200 mA
Off-state current	I_r 0 ... 0.5 mA typ. 0.1 μ A at 25 °C
No-load supply current	I_0 \leq 18 mA
Time delay before availability	t_v \leq 500 ms
Operating voltage indicator	LED, green
Switching state indicator	LED, yellow
Ambient conditions	
Ambient temperature	-25 ... 70 °C (-13 ... 158 °F)
Storage temperature	-40 ... 85 °C (-40 ... 185 °F)
Mechanical specifications	
Connection type	Connector plug M12 x 1, 4-pin
Housing material	PBT
Sensing face	PBT
Degree of protection	IP67
Tightening torque, fastening screws	M5 x 25 : 2.7 Nm
Compliance with standards and directives	
Standard conformity	
Standards	EN 60947-5-2:2007 EN 60947-5-2/A1:2012 IEC 60947-5-2:2007 IEC 60947-5-2 AMD 1:2012
Approvals and certificates	
UL approval	cULus Listed, General Purpose
CSA approval	cCSAus Listed, General Purpose
CCC approval	CCC approval / marking not required for products rated \leq 36 V

Dimensions



Release date: 2019-04-23 08:01 Date of issue: 2019-04-23 052985_eng.xml

Electrical Connection



Pinout



Wire colors in accordance with EN 60947-5-2

1	BN	(brown)
2	WH	(white)
3	BU	(blue)
4	BK	(black)