

Product Data Sheet 5214 NH

ebmpapst

The engineer's choice



5214 NH

INDEX

| | | |
|----------|---------------------------------|----------|
| 1 | General | 3 |
| 2 | Mechanics | 3 |
| 2.1 | General..... | 3 |
| 2.2 | Connections..... | 3 |
| 3 | Operating Data | 4 |
| 3.1 | Electrical Operating Data | 4 |
| 3.2 | Electrical Features..... | 4 |
| 3.3 | Aerodynamics..... | 6 |
| 3.4 | Sound Data..... | 7 |
| 4 | Environment | 7 |
| 4.1 | General..... | 7 |
| 4.2 | Climatic Requirements | 7 |
| 5 | Safety | 8 |
| 5.1 | Electrical Safety..... | 8 |
| 5.2 | Approval Tests | 8 |
| 6 | Reliability | 8 |
| 6.1 | General..... | 8 |

1 General

| | | |
|-------------------------------------|------------------------|--|
| Fan type | Fan | |
| Rotating direction looking at rotor | Counterclockwise | |
| Airflow direction | Air outlet over struts | |
| Bearing system | Ball bearing | |
| Mounting position - shaft | Any | |

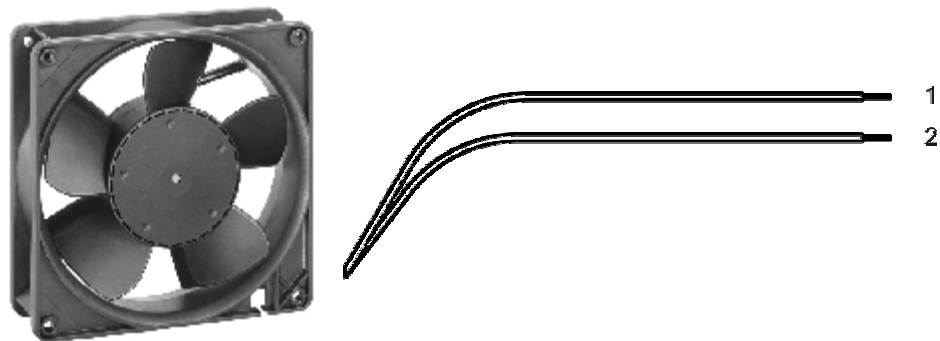
2 Mechanics

2.1 General

| | | |
|---|---|--|
| Width | 127,0 mm | |
| Height | 127,0 mm | |
| Depth | 38,0 mm | |
| Mass | 0,315 kg | |
| Housing material | Plastic | |
| Impeller material | Plastic | |
| Max. torque when mounted across both mounting flanges | Wire outlet corner: 10 Ncm Remaining corners: 60 Ncm | |
| Screw size | ISO 4762 - M4 degreased, without an additional brace and without washer | |

2.2 Connections

| | | |
|-----------------------|-------------|--|
| Electrical connection | Wires | |
| Lead wire length | L = 310 mm | |
| Tolerance | + - 10,0 mm | |
| Wire size (AWG) | 22 | |
| Insulation diameter | 1,70 mm | |



| Wire | Color | Operation |
|------|-------|-----------|
| 1 | red | + UB |
| 2 | blue | - GND |

3 Operating Data

3.1 Electrical Operating Data

Measurement conditions: Normal air density = 1,2 kg/m³; Temperature 23°C +/- 3°C; Motor axis horizontal; warm-up time before measuring 5 minutes (unless otherwise specified). In the intake and outlet area should not be any solid obstruction within 0,5 m.

$\Delta p = 0$: corresp. to free air flow (see chapter aerodynamics)
I: corresp. to arithm. mean current value

| Features | Condition | Symbol | Values | | |
|------------------------------|----------------|--------|-------------|-------------|-------------|
| Voltage range | | U | 12 V | | 28,0 V |
| Nominal voltage | | U_N | | 24,0 V | |
| Power consumption | $\Delta p = 0$ | P | 1,9 W | 10 W | 12,0 W |
| Tolerance | 0010 | | +/- 17,5 % | +/- 12,5 % | +/- 15,0 % |
| Current consumption | $\Delta p = 0$ | I | 160 mA | 415 mA | 430 mA |
| Tolerance | 0010 | | +/- 17,5 % | +/- 12,5 % | +/- 15,0 % |
| Speed | $\Delta p = 0$ | n | 1.950 1/min | 3.650 1/min | 4.000 1/min |
| Tolerance | 0010 | | +/- 15,0 % | +/- 7,5 % | +/- 10,0 % |
| Starting current consumption | | | | < 2.300 mA | |

3.2 Electrical Features

| | | |
|--------------------------------|------------------------------------|--|
| Electronic function | None | |
| Reversed polarity protection | Rectifying diode | |
| Max. residual current at U_N | $I_F < 10$ mA | |
| Locked rotor protection | Auto restart | |
| Locked rotor current at U_N | I_{block} approx. 2.300 mA | |
| Clock signal at locked rotor | t_3 / t_4 typical: 0,3 s / 1,1 s | |

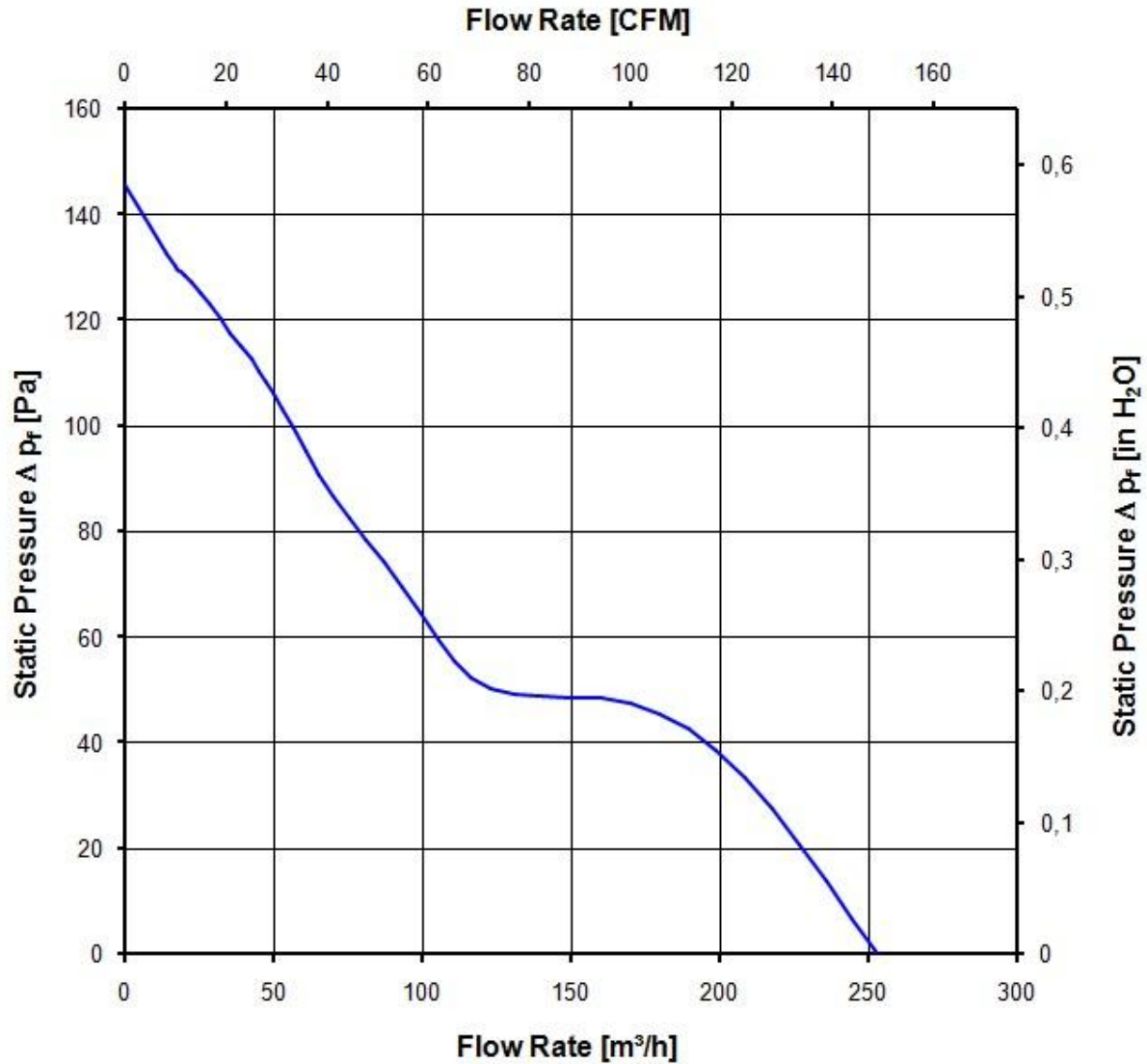


3.3 Aerodynamics

Measurement conditions: Measured with a double chamber intake rig acc. to DIN EN ISO 5801.
 Normal air density = 1,2 kg/m³; Temperature 23°C +/- 3°C;
 In the intake and outlet area should not be any solid obstruction within 0,5 m. Motor shaft horizontal.
 The information is only valid under the specified test conditions and may be changed by the installation conditions. If there are deviations from the standard test conditions, the characteristic values must be checked under the installed conditions.

a.) Operation condition:

| | | |
|---|-------------------------|--|
| 3.650 1/min at free air flow | | |
| Max. free-air flow ($\Delta p = 0 / \dot{V} = \text{max.}$) | 252,0 m ³ /h | |
| Max. static pressure ($\Delta p = \text{max.} / \dot{V} = 0$) | 145 Pa | |



3.4 Sound Data

Measurement conditions: Sound pressure level: 1 meter distance between microphone and the air intake.
 Sound power level: Acc. to DIN 45635 part 38 (ISO 10302)
 Measured in a semianchoic chamber with a background noise level of $L_p(A) < 5 \text{ dB(A)}$
 For further measurement conditions see chapter aerodynamics.

a.) Operation condition:

| | | |
|---|--------------------|--|
| 3.650 1/min at free air flow | | |
| Optimal operating point | 180,0 m3/h @ 40 Pa | |
| Sound power level at the optimal operating point | 6,0 bel(A) | |
| Sound pressure level at free air flow, measured in rubber bands | 50,0 dB(A) | |

4 Environment

4.1 General

| | | |
|--|--------|--|
| Min. permitted ambient temperature TU min. | -20 °C | |
| Max. permitted ambient temperature TU max. | 70 °C | |
| Min. permitted storage temperature TL min. | -40 °C | |
| Max. permitted storage temperature TL max. | 80 °C | |

4.2 Climatic Requirements

| | | |
|-----------------------|---|--|
| Humidity requirements | humid heat, constant; according to DIN EN 60068-2-78, 14 days | |
| Water exposure | None | |
| Dust requirements | None | |
| Salt fog requirements | None | |

Permitted application area:

The product is intended for use in sheltered rooms with controlled temperature and controlled humidity. Directly exposure to water must be avoided.

Pollution degree 1 (according DIN EN 60664-1)

There is either no pollution or it occurs only dry, non-conductive pollution. The pollution has no negative impact.

Please require severity levels and specification parameters from the responsible development departments.

5 Safety

5.1 Electrical Safety

| | | |
|--|------------------|--|
| Dielectric strength DIN EN 60950 (VDE 0805) and DIN EN 60335 (VDE 0700) A.) Type test Measuring conditions: After 48h of storage at 95% R.H. and 25°C. No arcing or breakdown is allowed! All connections together to ground. | 500 VAC / 1 Min. | |
| B.) Routine test Measuring conditions: At indoor climate. No arcing or breakdown is allowed! All connections together to ground. | 500 VAC / 1 Sec. | |
| Isolation resistance Measuring conditions: After 48h of storage at 95% R.H. and 25°C measured with U=500 VDC for 1 min. | RI > 10 MOhm | |
| Clearance / creepage distance | 1,0 mm / 1,2 mm | |
| Protection class | III | |

5.2 Approval Tests

| | | |
|-----|---|---|
| CE | EC Declaration of Conformity | Yes |
| EAC | Eurasian Conformity | Yes |
| UL | Underwriters Laboratories | Yes / UL507, Electric Fans |
| VDE | Association for Electrical, Electronic and Information Technologies | Yes / Approval acc. to EN 60950 (VDE 0805) - Information technology equipment |
| CSA | Canadian Standards Association | Yes / C22.2 No. 113 Fans and Ventilators |
| CCC | China Compulsory Certification | Not applicable |

The approval tests are observed to:
U approval max.:28,0 V @ TU approval max.: 70,0 °C

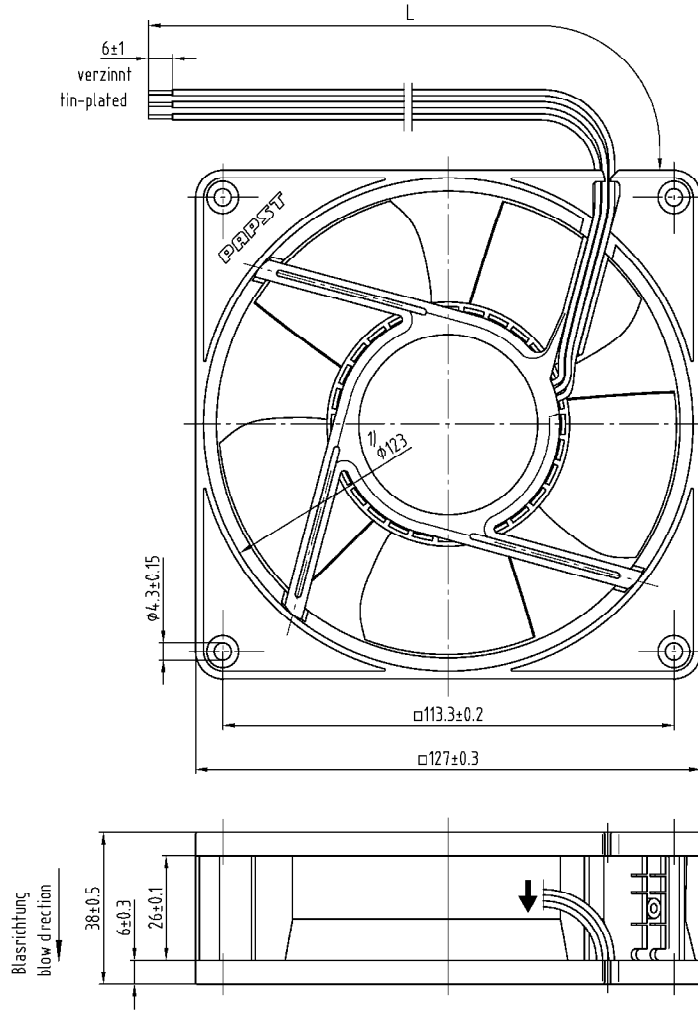
6 Reliability

6.1 General

| | | |
|--|----------|--|
| Life expectancy L10 at TU = 40 °C | 45.000 h | |
| Life expectancy L10 at TU max. | 22.500 h | |
| Life expectancy L10 acc. to IPC 9591 at TU = 40 °C | 75.000 h | |

Copyright of the document and design is to be observed and the use or reproduction of the contents hereof, in whole or in part, without the written consent of ebmpapst is prohibited. In the event of the grant of a patent or the registration of a utility model or design.

Stahlgewindestift nach DIN ISO 648 beschreiben / Refer to technical notice DIN ISO 648



Anzahl und Länge der Litzen siehe Spezifikation
number and length of the wire according to specification

1) Maße für Montagewand
1) dimensions for assembly wall

Axialspiel bei
- Kugellagerung (K): 0 (mit Federausgleich)
- Gleitlagerung (G): 0.1 - 0.6

axial clearance by
- ball bearing (K): 0 (with spring compensation)
- sleeve bearing (G): 0.1 - 0.6

| | | | | | | | | | | | |
|--------------------------------------|--|---------------------|--|-----------------------------------|--|---------------------------|--|-------------------------|--|------------------------------------|--|
| SAP-Status/State | | Amd. Nr./Change No. | | AxiCAD-System-Version | | ebmpapst | | Werkstoff/Material: | | Volumen/Volume (mm ³): | |
| CAD-Umgebung/ CAD-Environment | | Blatt/Date | | Name/Name | | Artikel/Title | | Gewicht/Mass (g): | | | |
| Tolerierung/Tolerances: | | Bohr./ Drawn | | Gepr./ Checked | | Freig./ Released | | Zchg.-Nr./Drawing.-No.: | | Ers./Zchg./Replaces: | |
| Allgemeintoleranzen/Gen. Tolerances: | | ebmpapst | | ebmpapst St. Leonen GmbH & Co. KG | | Dateiart/Type of Document | | Zeichnung/Sheet/Draw | | Format/Size | |
| | | | | | | | | | | | |