

Plastic enclosure

52 x 50 x 35 mm light grey PC IP 65



Integral guides and standoffs for vertical and horizontal PCB mounting

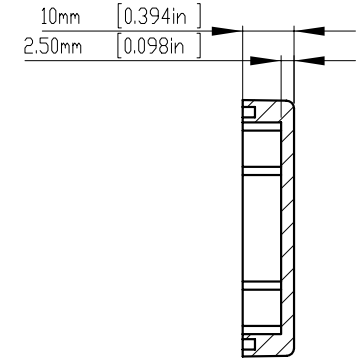
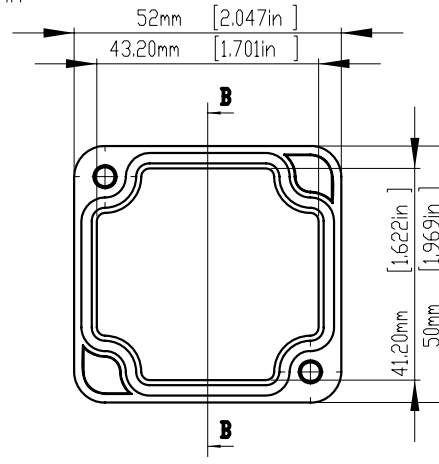
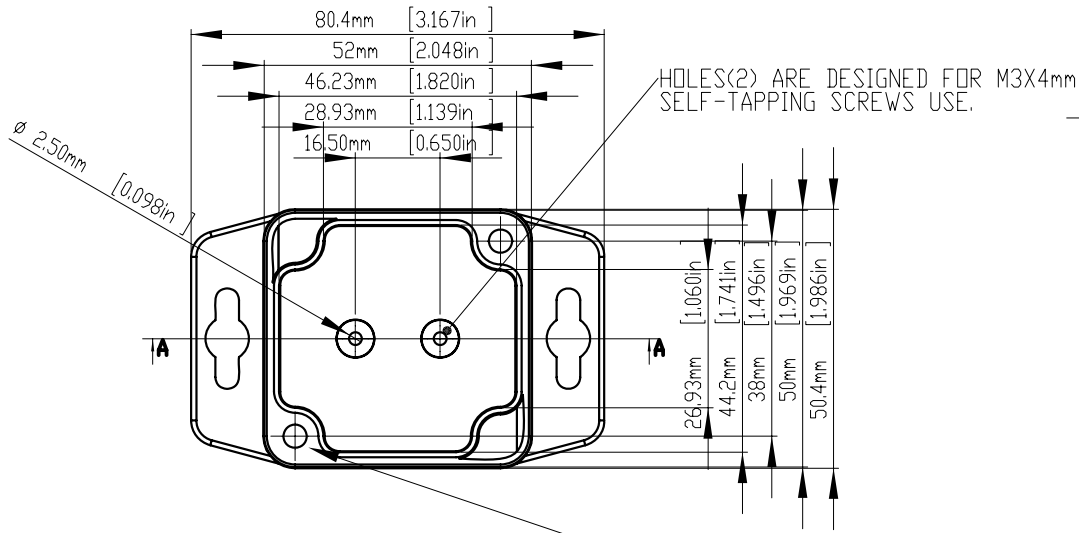
SPECIFICATION:

Dimensions L x W x H	52 x 50 x 35 mm
Colour	light grey
Material	PC
Protection rating	IP 65
Fire class	UL 94 HB
Mounting	Flange
Temperature range	-40...+120 °C
Front panel	Transparent



Art. Nr.

RND 455-00263



SECTION B-B

