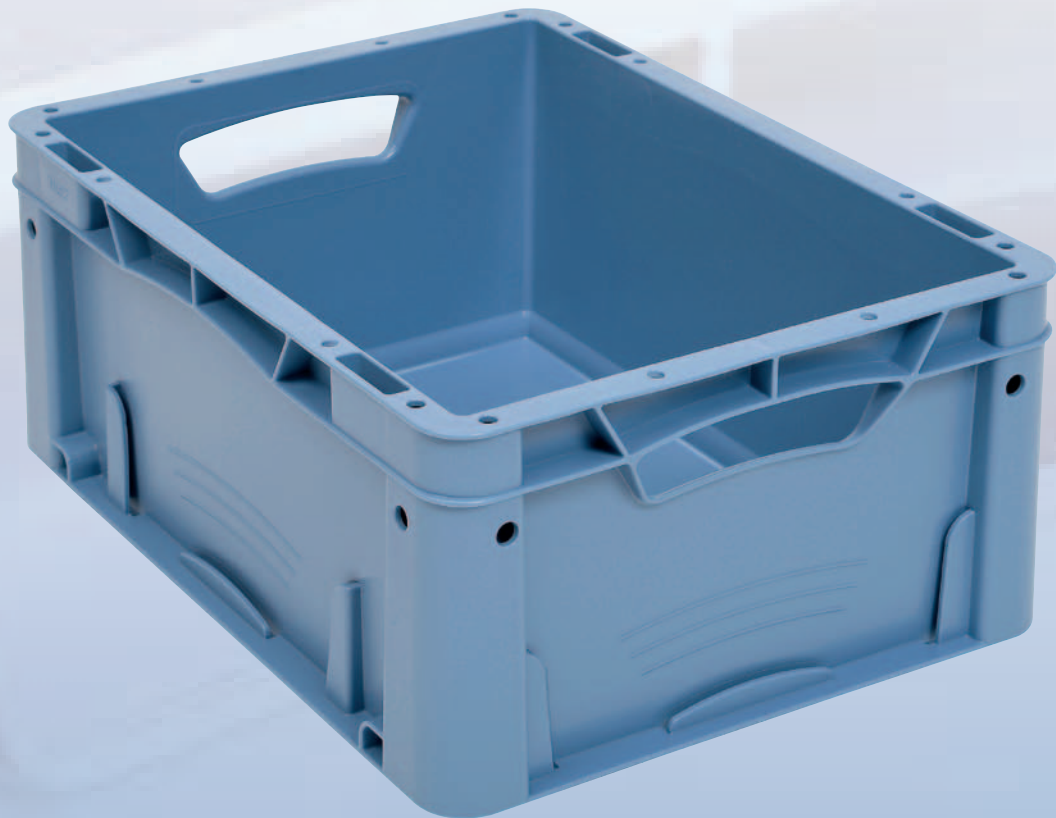


The new container line
Smart tote box design by wez



LOGILINE FUTURA®
BLACKLINE FUTURA®

wez SUISSE

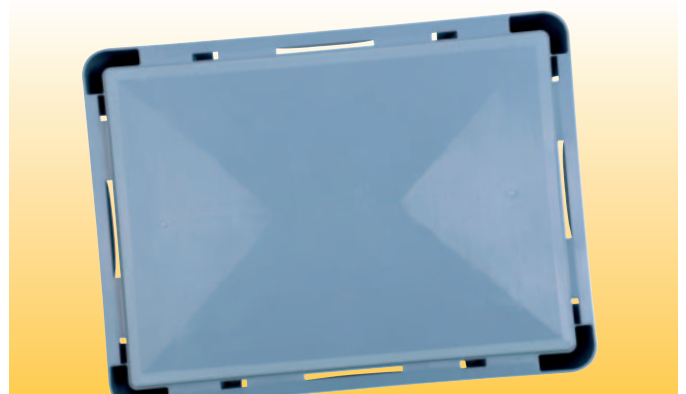
LOGILINE FUTURA® | BLACKLINE FUTURA®

The new wez tote box generation positioned for manual and mechanical handling. Suitable for any applications and uses. The new design considers sophisticated logistics requirements as well as application of current plastic injection technologies.

Characteristics and advantages of the FUTURA tote boxes at a glance:



Hollow corner design in combination with the upper ribbed-rim-construction offers maximum stability and torsion stiffness.



Flat bottom with 4-side-chamfer and a tapered roof design, ensures smooth transportation on conveyor belts and other materials handling equipments.



Mechanical lifting and moving possible with openings on the upper rim and compatible with standard available equipment.



Close to the ground designed rib rims enable precise centring, lifting and pulling of the tote.



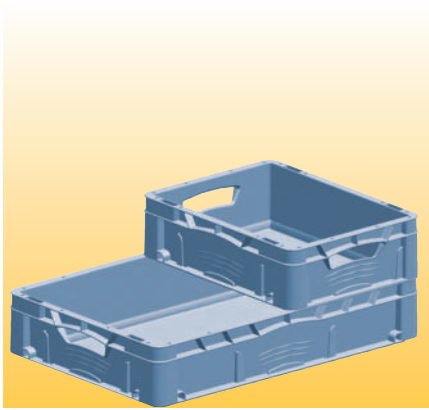
The FUTURA tote boxes are available either with shell grip or with 2 handle holes.



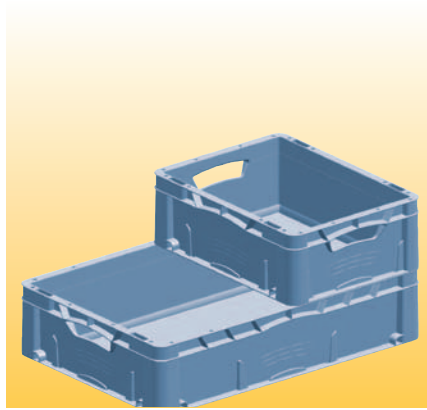
Integrated vertical label holders on all 4 sides for A4 sized papers.

LOGILINE FUTURA® | BLACKLINE FUTURA®

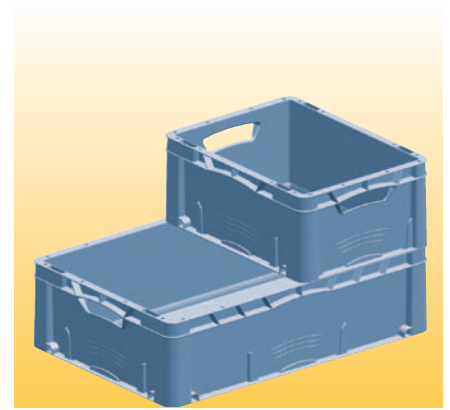
Below appears the designated new range.
Dimensions and versions of the new FUTURA tote boxes.



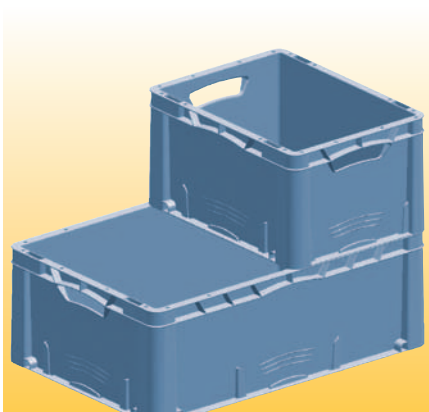
Height 120



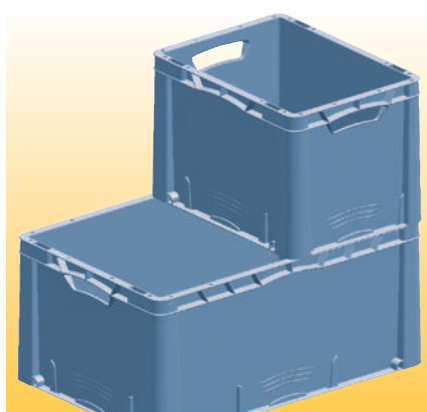
Height 145



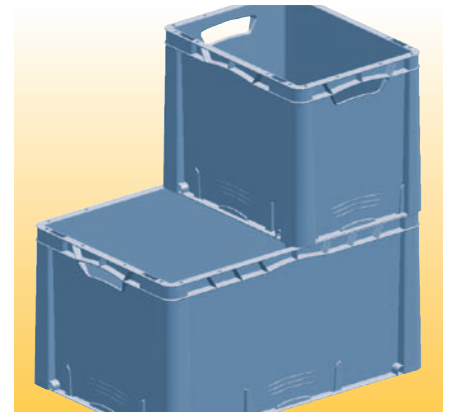
Height 175



Height 220



Height 278



Height 320

Tote box height mm	Outside dimensions mm Length x width	Inside Dimensions on top mm Length x width x height	Stacking height	Volume lit.	PPC pigeon blue RAL 5014	PP conductive black	available in		
							2009	2010	2011
120	400 x 300 600 x 400	362 x 262 x 115 562 x 362 x 115	108	10 22	✓ ✓	✓ ✓			
145	400 x 300 600 x 400	362 x 262 x 140 562 x 362 x 140	133	12 27	✓ ✓	✓ ✓			
175	400 x 300 600 x 400	362 x 262 x 170 562 x 362 x 170	163	15 30	✓ ✓	✓ ✓			
220	400 x 300 600 x 400	362 x 262 x 215 562 x 362 x 215	208	19 42	✓ ✓	✓ ✓			
278	400 x 300 600 x 400	362 x 262 x 273 562 x 362 x 273	266	24 54	✓ ✓	✓ ✓			
320	400 x 300 600 x 400	362 x 262 x 315 562 x 362 x 315	308	28 62	✓ ✓	✓ ✓			

«NEW» and «OLD» tolerate each other perfectly

LOGILINE FUTURA® + BLACKLINE FUTURA®

The new FUTURA tote boxes are 100% compatible with the current wez ranges LOGILINE® and BLACKLINE®.



Tote boxes

The interstackability with the current tote boxes (LOGILINE® and BLACKLINE®) is ensured without any restriction.



Lids

Any sizes and versions of the current wez standard lids fit perfectly on the new FUTURA tote boxes.



Subdivisions for tote boxes

Insert boxes and all further dividing systems of the current ranges LOGILINE® and BLACKLINE® will fit into the new FUTURA tote boxes.

weZ *SUISSE*

wez Kunststoffwerk AG
Postfach
CH-5036 Oberentfelden
Tel. +41 (0)62 737 88 00
Fax +41 (0)62 737 88 10
info@wez.ch
www.wez.ch



PCB-handling

Established systems to handle PCB's, such as PRINTORAMA®, wezRack®, etc. can be used together with the new FUTURA BLACKLINE® tote boxes.