

**LEVER BODY**

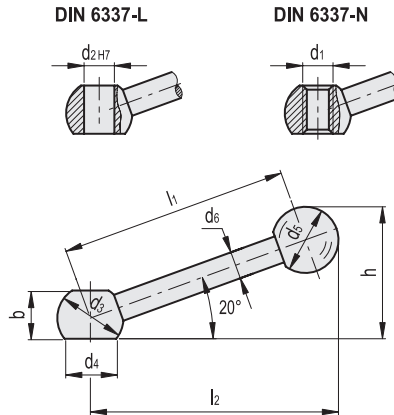
Turned and black-oxide steel.

**HANDLE**

Phenolic based (PF) Duroplast, black colour, glossy finish PLX. (see page 552).

**STANDARD EXECUTIONS**

- **DIN 6337-L:** plain pass-through hole.
- **DIN 6337-N:** threaded pass-through hole.



**DIN 6337-L**

Code	Description	l1	l2	d2 H7	l1	h	d3	d4	d5	d6	b	⚖️
GN.10405	DIN 6337-63-B8-L	63	60	8	63	33	16	12.5	20	8	12	32
GN.10415	DIN 6337-80-B10-L	80	76	10	80	40	20	16	20	9	14.5	53
GN.10425	DIN 6337-100-B12-L	100	95	12	100	50	25	20	25	11	18.5	100
GN.10435	DIN 6337-125-B16-L	125	119	16	125	63	32	25	32	15	24	216
GN.10445	DIN 6337-160-B20-L	160	152	20	160	80	40	31	40	18	30	415

**DIN 6337-N**

Code	Description	l1	l2	d1	l1	h	d3	d4	d5	d6	b	⚖️
GN.10401	DIN 6337-63-M8-N	63	60	M8	63	33	16	12.5	20	8	12	32
GN.10411	DIN 6337-80-M10-N	80	76	M10	80	40	20	16	20	9	14.5	54
GN.10421	DIN 6337-100-M12-N	100	95	M12	100	50	25	20	25	11	18.5	102
GN.10431	DIN 6337-125-M16-N	125	119	M16	125	63	32	25	32	15	24	223
GN.10441	DIN 6337-160-M20-N	160	152	M20	160	80	40	31	40	18	30	425

