

- 1
- 2
- 3
- 4
- 5
- 6
- 7
- 8
- 9
- 10
- 11
- 12
- 13
- 14
- 15
- 16
- 17
- 18

**LEVER BODY**

CF-8 stainless steel, mirror polished finish (RA <0,8µ).

**PACKING RINGS**

H-NBR synthetic rubber hardness 85 +/-5 Shore A, blue colour, in compliance with FDA.

**STANDARD EXECUTIONS**

- AISI 304 stainless steel clamp.
- AISI 301 stainless steel return spring.
- **GN 305-PL-H (d1)**: threaded hole.
- **GN 305-PL-H (d1 - I2)**: threaded screw.

**FEATURES AND APPLICATIONS**

GN 305 adjustable handles are intended for use in environments where a high level of hygiene is required and are certified according to the DGUV guidelines.

The existing gasket on the locking surface protects the seal against unhygienic cracks.

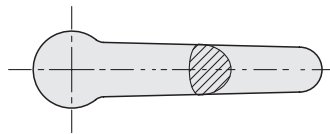
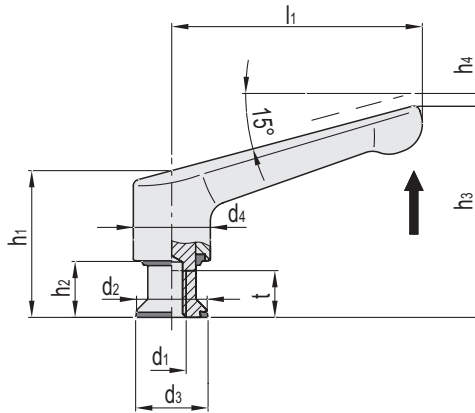
The quality of the finish of the stainless steel parts (mirror polishing) prevents adhesion of dirt and facilitates cleaning.

GN 305 adjustable handles are particularly suitable when the angle of manoeuvre of the levers is limited for reasons of space.

See Hygienic Design technical data (on page -).

**INSTRUCTIONS OF USE**

To adjust while tightening, lift the lever to disengage the teeth of the clamping element and return it to the starting position. When the lever is released, the return spring automatically engages the teeth.

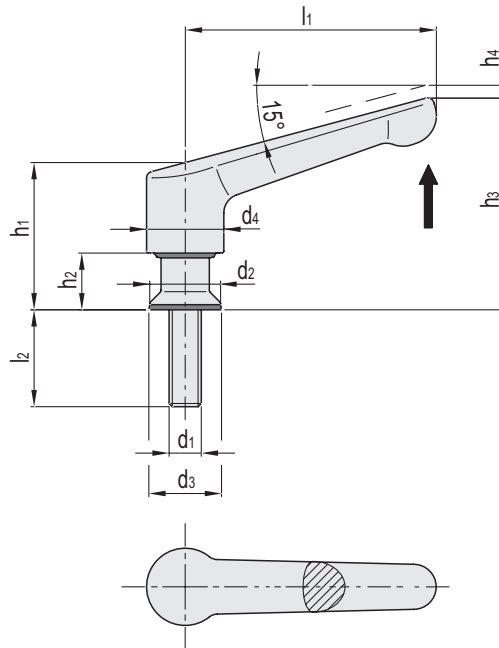


**GN 305-PL-H (d1)**



Code	Description	l1	d1	d2	d3	d4	h1	h2	h3	h4	tmin	△
GN.13621	GN 305-63-M6-PL-H	63	M6	14	14.8	19	43.8	16.3	60.1	2.5	10	104
GN.13641	GN 305-63-M8-PL-H	63	M8	18	18.8	19	45.8	18.3	62.1	2.5	12	108
GN.13661	GN 305-78-M8-PL-H	78	M8	18	18.8	24	49.3	16.5	69.3	3	12	189
GN.13681	GN 305-78-M10-PL-H	78	M10	22	22.8	24	51.3	18.5	71.3	3	15	194

Clamping handles



## GN 305-PL-H (d1 - l2)

INOX STAINLESS STEEL

Code	Description	l1	d1	d2	d3	d4	h1	h2	h3	h4	l2	⚖️
GN.13623	GN 305-63-M6-12-PL-H	63	M6	14	14.8	19	43.8	16.3	60.1	2.5	12	106
GN.13625	GN 305-63-M6-16-PL-H	63	M6	14	14.8	19	43.8	16.3	60.1	2.5	16	107
GN.13627	GN 305-63-M6-20-PL-H	63	M6	14	14.8	19	43.8	16.3	60.1	2.5	20	108
GN.13629	GN 305-63-M6-25-PL-H	63	M6	14	14.8	19	43.8	16.3	60.1	2.5	25	109
GN.13631	GN 305-63-M6-32-PL-H	63	M6	14	14.8	19	43.8	16.3	60.1	2.5	32	113
GN.13643	GN 305-63-M8-12-PL-H	63	M8	18	18.8	19	45.9	18.3	62.1	2.5	12	113
GN.13645	GN 305-63-M8-16-PL-H	63	M8	18	18.8	19	45.9	18.3	62.1	2.5	16	113
GN.13647	GN 305-63-M8-20-PL-H	63	M8	18	18.8	19	45.9	18.3	62.1	2.5	20	115
GN.13649	GN 305-63-M8-25-PL-H	63	M8	18	18.8	19	45.9	18.3	62.1	2.5	25	118
GN.13651	GN 305-63-M8-32-PL-H	63	M8	18	18.8	19	45.9	18.3	62.1	2.5	32	150
GN.13663	GN 305-78-M8-12-PL-H	78	M8	18	18.8	24	49.3	16.5	69.3	3	12	193
GN.13665	GN 305-78-M8-16-PL-H	78	M8	18	18.8	24	49.3	16.5	69.3	3	16	199
GN.13667	GN 305-78-M8-20-PL-H	78	M8	18	18.8	24	49.3	16.5	69.3	3	20	197
GN.13669	GN 305-78-M8-25-PL-H	78	M8	18	18.8	24	49.3	16.5	69.3	3	25	205
GN.13671	GN 305-78-M8-32-PL-H	78	M8	18	18.8	24	49.3	16.5	69.3	3	32	202
GN.13683	GN 305-78-M10-16-PL-H	78	M10	22	22.8	24	51.3	18.5	71.3	3	16	206
GN.13685	GN 305-78-M10-20-PL-H	78	M10	22	22.8	24	51.3	18.5	71.3	3	20	290
GN.13687	GN 305-78-M10-25-PL-H	78	M10	22	22.8	24	51.3	18.5	71.3	3	25	212
GN.13689	GN 305-78-M10-32-PL-H	78	M10	22	22.8	24	51.3	18.5	71.3	3	32	207