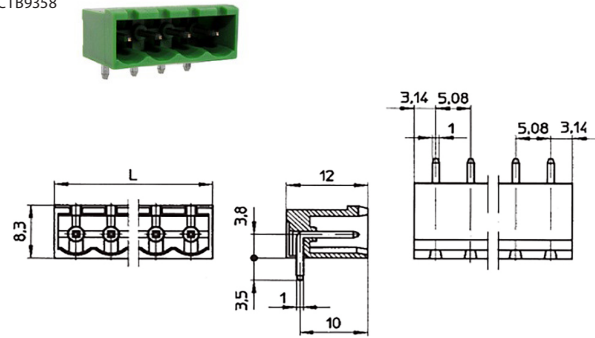


# PCB TERMINAL BLOCKS

## PCB mounting male horizontal (closed ended)

TYPE NO.	POLES	LENGTH	TYPE NO.	POLES	LENGTH
CTB9358/2	2	11.4mm	CTB9358/14	14	72.3mm
CTB9358/3	3	16.4mm	CTB9358/15	15	77.4mm
CTB9358/4	4	21.5mm	CTB9358/16	16	82.5mm
CTB9358/5	5	26.6mm	CTB9358/17	17	87.6mm
CTB9358/6	6	31.7mm	CTB9358/18	18	92.6mm
CTB9358/7	7	36.78mm	CTB9358/19	19	97.7mm
CTB9358/8	8	41.8mm	CTB9358/20	20	102.8mm
CTB9358/9	9	46.9mm	CTB9358/21	21	107.9mm
CTB9358/10	10	52mm	CTB9358/22	22	113mm
CTB9358/11	11	57.1mm	CTB9358/23	23	118mm
CTB9358/12	12	62.2mm	CTB9358/24	24	123.1mm
CTB9358/13	13	67.2mm			

CTB9358



## PCB mounting male horizontal (open ended)

TYPE NO.	POLES	LENGTH	TYPE NO.	POLES	LENGTH
CTB9358/2AO	2	10.2mm	CTB9358/14AO	14	71.1mm
CTB9358/3AO	3	15.2mm	CTB9358/15AO	15	76.2mm
CTB9358/4AO	4	20.3mm	CTB9358/16AO	16	81.3mm
CTB9358/5AO	5	25.4mm	CTB9358/17AO	17	86.4mm
CTB9358/6AO	6	30.5mm	CTB9358/18AO	18	91.4mm
CTB9358/7AO	7	35.6mm	CTB9358/19AO	19	96.5mm
CTB9358/8AO	8	40.6mm	CTB9358/20AO	20	101.6mm
CTB9358/9AO	9	45.7mm	CTB9358/21AO	21	106.7mm
CTB9358/10AO	10	50.8mm	CTB9358/22AO	22	111.7mm
CTB9358/11AO	11	55.9mm	CTB9358/23AO	23	116.8mm
CTB9358/12AO	12	61mm	CTB9358/24AO	24	121.9mm
CTB9358/13AO	13	66mm			

CTB9358/AO

