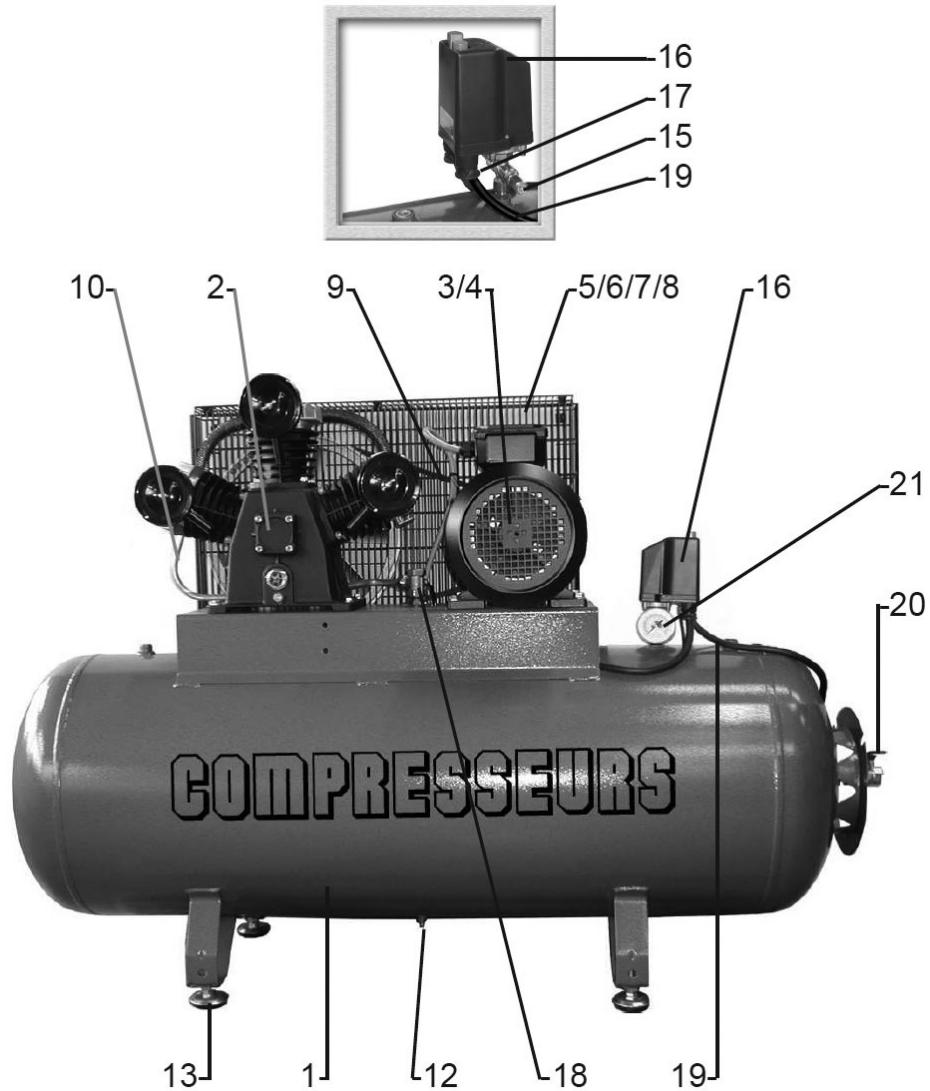




Parts Information:  
**Compressor 200ltr Belt Drive 3hp with  
 Front Control Panel**  
**Model No: SAC3205BB**



Item	Part No.	Description
1	SAC32055B.01	TANK 200ltr (SO)
2	SAC32055B.02	PUMP 3 CYLINDER (WED480)
3	SAC32055B.03	ELECTRICAL MOTOR 230-400V 5.5HP
4	SAC32055B.04	MOTOR PULLEY 120mm
5	SAC32055B.05	BELT GUARD
6	SAC32775B.06	PLASTIC CLIP (BELT GUARD)
7	SAC32055B.07	BRACKET (BELT GUARD)
8	SAC32055B.08	SILENCER BLOCK
9	V/A58	V-BELT (ID-1475) A58 (SO)
10	SAC32055B.10	ALUMINIUM TUBE
12	SAC32055B.12	DRAIN PLUG 1/4"

Item	Part No.	Description
13	SAC32775B.13	RUBBER FOOT 60x20mm M10
15	SAC32055B.15	SAFETY VALVE 11bar
16	SAC32055B.16	PRESSURE SWITCH 6.3/10Amp 4-12Bar
17	SAC32775B.17	DECOMPRESSION TUBE
18	SAC32055B.18	CHECK VALVE
19	SAC32775B.19	ELECTRICAL CABLE
20	SAC32055B.20	BALL VALVE 1/4" F/F
21	SAC32775B.21	PRESSURE GAUGE
--	SAC32055B.22	ALLOY FEED PIPE FOR SAC32055B (NOT SHOWN)
--	SAC32055B	COMPRESSOR 200ltr BELT DRIVE 5.5hp (NOT SHOWN)

**NOTE:** It is our policy to continually improve products and as such we reserve the right to alter data, specifications and component parts without prior notice.

**IMPORTANT:** No liability is accepted for incorrect use of product.

**WARRANTY:** Guarantee is 12 months from purchase date, proof of which will be required for any claim.

**Sealey Group**, Kempson Way, Suffolk Business Park, Bury St Edmunds, Suffolk. IP32 7AR



01284 757500



01284 703534



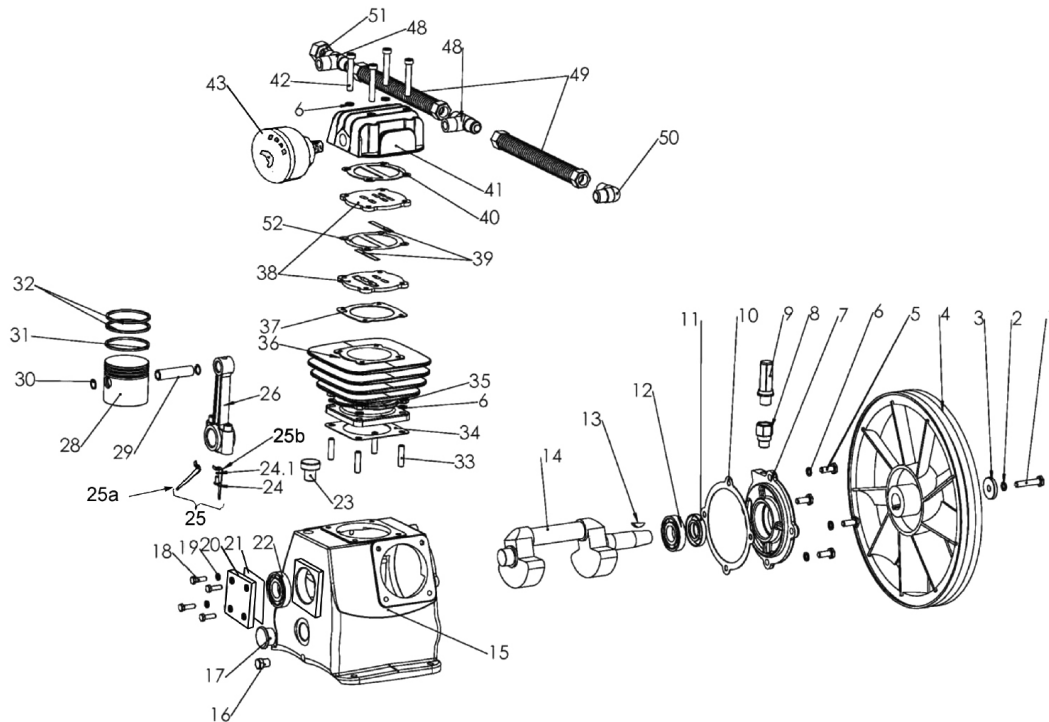
sales@sealey.co.uk



www.sealey.co.uk



Parts Information:  
**Compressor 200ltr Belt Drive 3hp with  
 Front Control Panel  
 Model No: SAC3205BB**



Item	Part No.	Description
1	SAC32055B.P01	PULLEY BOLT (LEFT)
2	SAC32055B.P02	SPRING WASHER
3	SAC32055B.P03	WASHER - PULLEY
4	SAC32055B.P04	FLYWHEEL 350mm
5	SAC32055B.P05	BEARING SEAT BOLT
6	SAC32055B.P06	SPRING WASHER
7	SAC32055B.P07	BEARING SEAT
8	SAC32055B.P08	OIL BREATHER PLUG
9	SAC32055B.P09	OIL BREATHER PIPE (M16x1.5)
10	SAC32055B.P10	BEARING SEAT GASKET
11	SAC32055B.P11	OIL SEAL (24x47x8)
12	B/6205Z	BEARING 6205Z
13	SAC32055B.P13	KEY (5x19)
14	SAC32055B.P14	CRANKSHAFT
15	SAC32055B.P15	CRANKCASE
16	SAC32055B.P16	OIL DRAIN PLUG 1/4"
17	SAC32055B.P17	OIL LEVEL 3/4"
18	SAC32055B.P18	BEARING COVER BOLT
19	SAC32055B.P19	SPRING WASHER
20	SAC32055B.P20	BEARING COVER
21	SAC32055B.P21	BEARING COVER GASKET
22	SAC32055B.P22	BALL BEARING
23	SAC32055B.P23	OIL FILLER PLUG (M16x1.5)
24	SAC32055B.P24	OIL BOLT(

Item	Part No.	Description
24.1	SAC32055BP24A	SPRING WASHER
25	SAC32055B.P25	CON-ROD PIN SET
25A	SAC32055BP25A	CON-ROD PIN (SIDE)
25B	SAC32055BP25B	CON-ROD PIN (MIDDLE)
26	SAC32055B.P26	CON-ROD
28	SAC32055B.P28	PISTON
29	SAC32055B.P29	PISTON PIN
30	SAC32055B.P30	PISTON PIN CIRCLIP
31	SAC32055B.P31	PISTON RING SET
33	SAC32055B.P33	CYLINDER BOLT (M8)
34	SAC32055B.P34	CRANKCASE CYLINDER GASKET
36	SAC32055B.P36	CYLINDER
37	SAC32775B.P50	HP VALVE SET GASKET 65mm
38	SAC32055B.P38	VALVE
39	SAC32055B.P39	VALVE PLATE
40	SAC32775B.P46	HP HEAD GASKET 65mm
41	SAC32055B.P41	CYLINDER HEAD (ALUMINIUM)
42	SAC32055B.P42	CYLINDER HEAD BOLT
43	SAC32055B.P43	AIR FILTER
48	SAC32055B.P48	CONNECTOR (3-WAY)
59	SAC32055B.P49	COMPLETE COOLER (c/w NUT)
50	SAC32055B.P50	ELBOW
--	SAC32055B.P51	EXHAUST NUT (NOT SHOWN)
--	SAC32775B.P49	HP ALUMINIUM SEAT (NOT SHOWN)

**NOTE:** It is our policy to continually improve products and as such we reserve the right to alter data, specifications and component parts without prior notice.

**IMPORTANT:** No liability is accepted for incorrect use of product.

**WARRANTY:** Guarantee is 12 months from purchase date, proof of which will be required for any claim.

**Sealey Group**, Kempson Way, Suffolk Business Park, Bury St Edmunds, Suffolk. IP32 7AR



01284 757500



01284 703534



sales@sealey.co.uk



www.sealey.co.uk