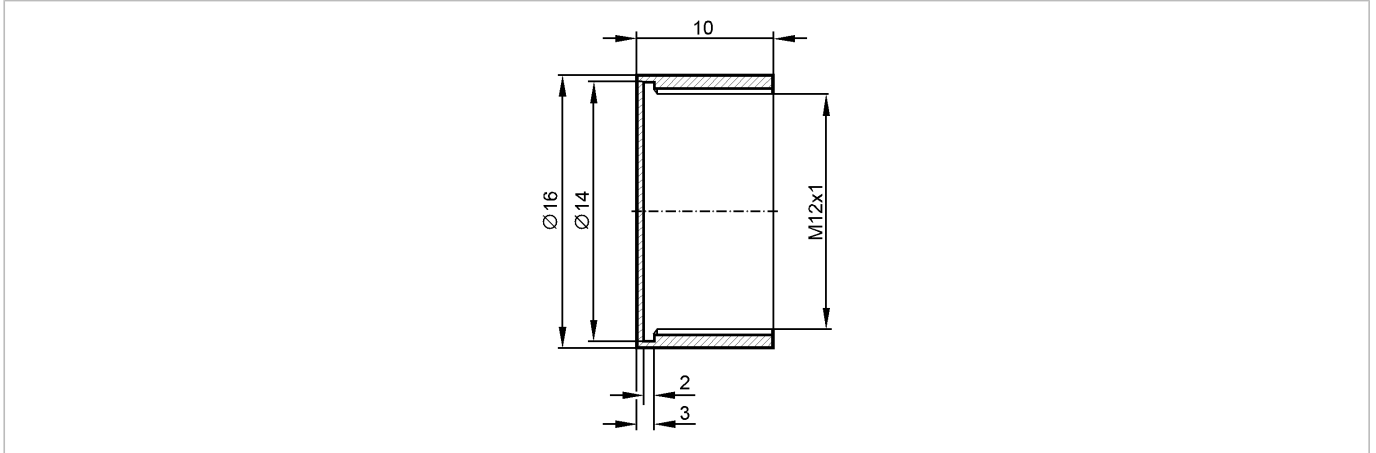


PROTECTIVE COVER M12 PTFE

Accessories



Product characteristics

Protective cover

Ø 16 mm x 10 mm

Mechanical data

Design

for types M12 x 1

Housing materials

PTFE

Weight

[kg]

0.005

Remarks

Pack quantity

[piece]

1