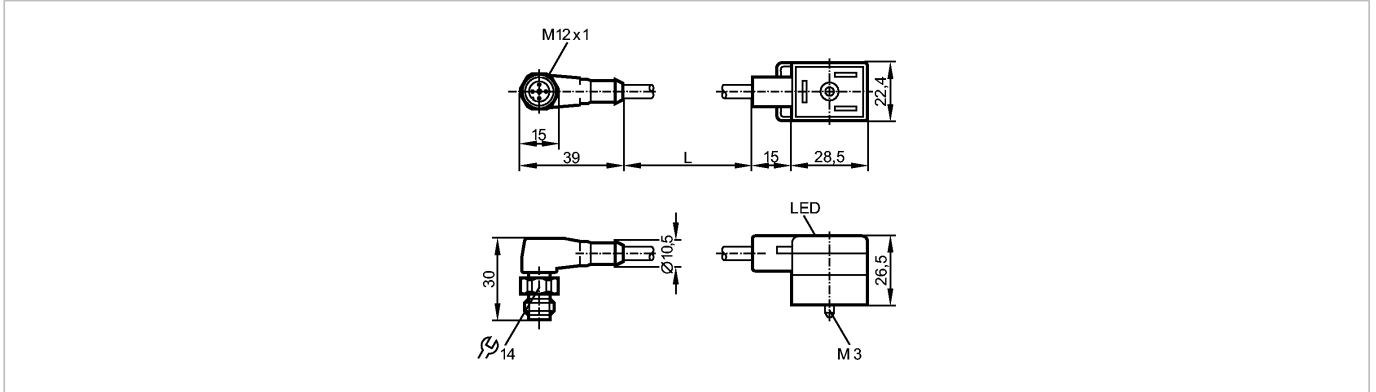




VVSAB041--S00.6A03STAH030VAS

Connection technology



Product characteristics

Jumper

M12 plug / valve plug type B (industrial standard)

with protective circuitry

Free from halogen

Electrical data

Electrical design

Operating voltage [V]

Overvoltage protection VDR

Environment

Ambient temperature [°C]

Protection

Mechanical data

Design

Material body

Material nut

Weight [kg]

Displays / operating elements

Operation LED

Electrical connection

Connection

Sheath colour

AC/DC

24 AC/DC

•

-25...90

IP 67

angled / angled

TPU

stainless steel 316L / 1.4404

0.055

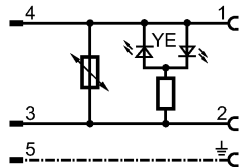
yellow

PUR cable / 0.6 m;

3 x 0.5 mm² (16 x Ø 0.2 mm); Ø 4.8 mm; halogen-free

black

Wiring



Accessories

Accessories (included)

screw; tag for labelling

Remarks

Pack quantity [piece]

1