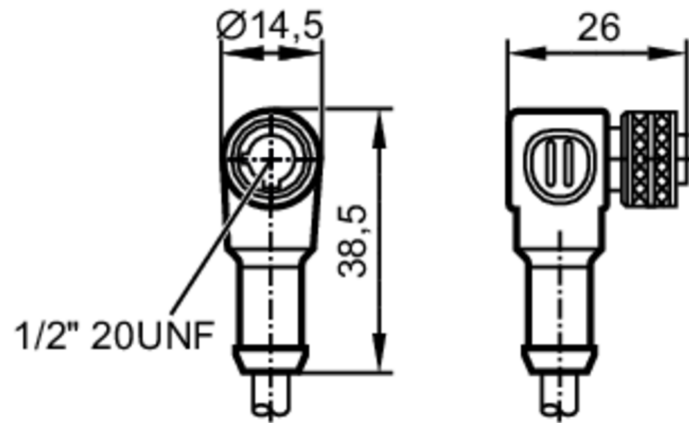


E11249



Connecting cable with socket

ADOAA050MSS0010H04



Application

Special feature Halogen-free

Electrical data

Operating voltage [V] < 300 AC

Operating conditions

Ambient temperature [°C] -25...90

Protection IP 67

Mechanical data

Weight [g] 322.7

Materials TPU

Material nut brass, nickel-plated

Remarks

Pack quantity 1 pcs.

Electrical connection

Cable: 10 m, PUR, Halogen-free, black, Ø 4.7 mm; 4 x 0.34 mm² (43 x Ø 0.1 mm)

Electrical connection - socket

Connector: 1 x 1/2", angled; Moulded body: TPU; Locking: brass, nickel-plated



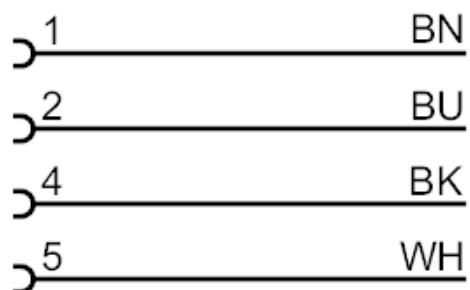
E11249



Connecting cable with socket

AD0AA050MSS0010H04

Connection



Core colours :

BK =	black
BN =	brown
BU =	blue
WH =	white