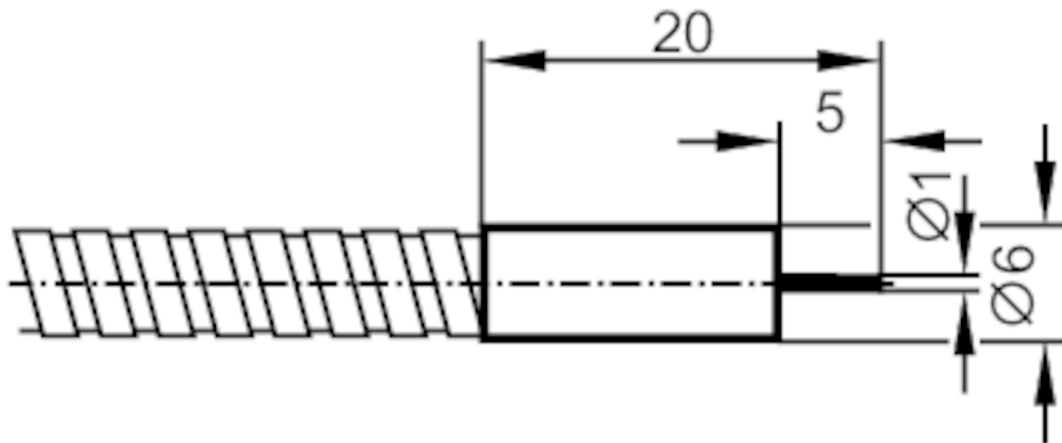




Fibre optic through beam sensor

FE-00-A-V-E1



Application	
Function principle	Through-beam sensor
Detection zone	
Range with fibre optic amplifier type	OKF; OUF; OOF
OKF	
Range of fibre optics [mm]	50
OOF	
Range of fibre optics [mm]	160
OUF	
Range of fibre optics [mm]	50
Operating conditions	
Ambient temperature [°C]	-40...290

E20127



Fibre optic through beam sensor

FE-00-A-V-E1

Mechanical data	
Weight [g]	68.5
Version of sensing head	straight
Sensing head diameter [mm]	1
Sensing head length [mm]	5
Total length [mm]	600
Min. bending radius [mm]	20; (for fixed installation)
Fibre arrangement	
Materials	Adapter: ABS
Fibre material	glass
Fibre head material	stainless steel (1.4305 / 303)
Fibre sheath material	aluminium
Accessories	
Accessories (supplied)	E20103
Remarks	
Pack quantity	1 pcs.