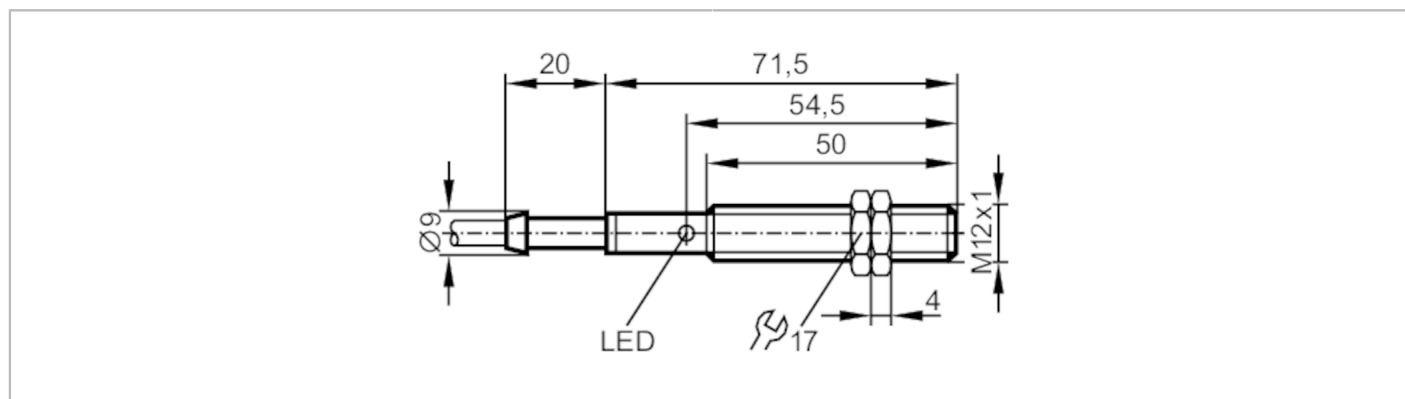


IF0295



Inductive sensor

IF-2002-ABOW



Product characteristics	
Output function	normally open
Sensing range [mm]	2
Housing	threaded type
Dimensions [mm]	M12 x 1 / L = 71.5
Electrical data	
Frequency AC [Hz]	47...63
Operating voltage [V]	20...250 AC
Protection class	II
Reverse polarity protection	no
Outputs	
Output function	normally open
Max. voltage drop switching output AC [V]	8.5
Minimum load current [mA]	8
Max. leakage current [mA]	2
Permanent current rating of switching output AC [mA]	200; (250 (...50 °C))
Short-time current rating of switching output [mA]	900; (20 ms / 0,5 Hz)
Switching frequency AC [Hz]	25
Short-circuit proof	no
Overload protection	no
Detection zone	
Sensing range [mm]	2
Real sensing range Sr [mm]	2 ± 10 %
Operating distance [mm]	0...1.6
Accuracy / deviations	
Correction factor	steel: 1 / stainless steel: 0.7 / brass: 0.4 / aluminium: 0.3 / copper: 0.2
Hysteresis [% of Sr]	1...15
Switch point drift [% of Sr]	-10...10

IF0295



Inductive sensor

IF-2002-ABOW

Operating conditions		
Ambient temperature	[°C]	-25...80
Protection		IP 67
Tests / approvals		
EMC		EN 60947-5-2
		EN 55011
		class B
MTTF	[years]	932
Mechanical data		
Weight	[g]	101.3
Housing		threaded type
Mounting		flush mountable
Dimensions	[mm]	M12 x 1 / L = 71.5
Thread designation		M12 x 1
Materials		PBT
Displays / operating elements		
Display	switching status	1 x LED, red
Electrical connection		
Required protection		miniature fuse to IEC60127-2 sheet 1; ≤ 2 A; fast acting
Accessories		
Accessories (supplied)		lock nuts: 2
Remarks		
Remarks		Recommendation: Check the safe functioning of the unit after a short circuit.
Pack quantity		1 pcs.

IF0295



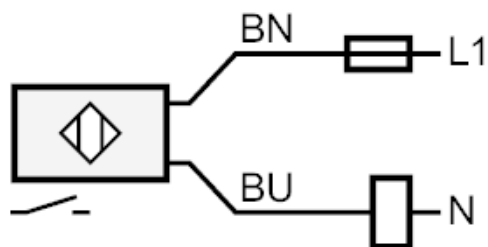
Inductive sensor

IF-2002-ABOW

Electrical connection

Cable: 2 m, PVC; 2 x 0.5 mm²

Connection



Note miniature fuse to IEC60127-2 sheet 1 \leq 2 A fast acting

Core colours :

BN = brown

BU = blue