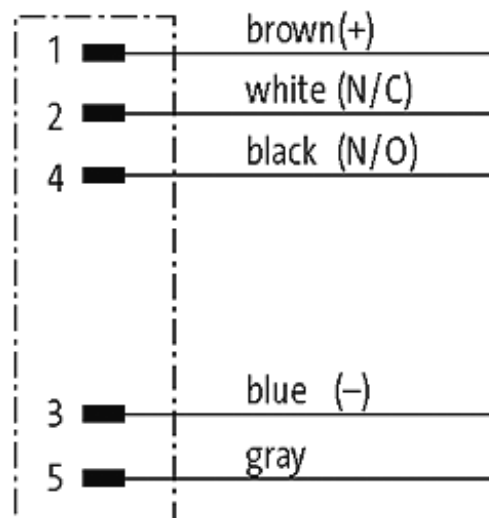
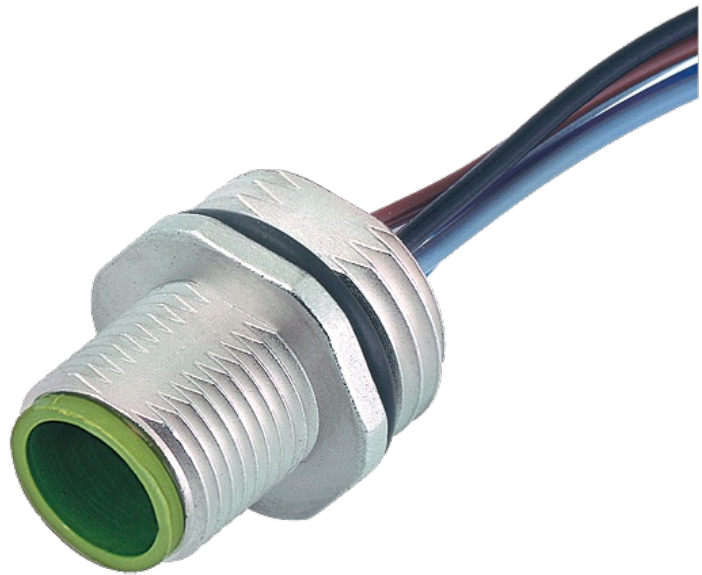


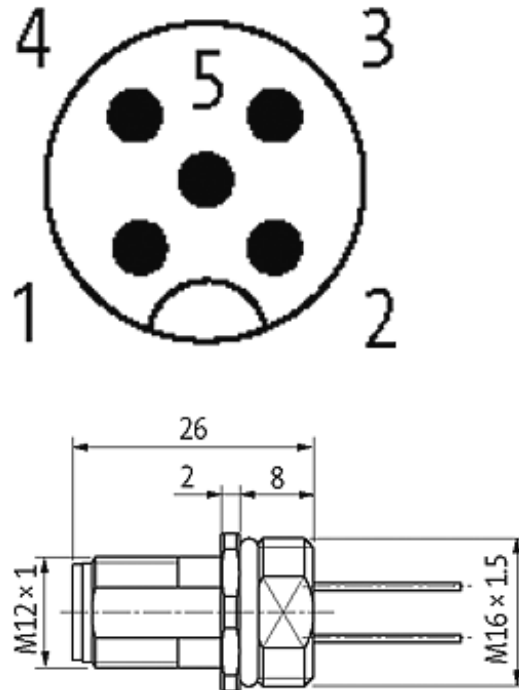
M12 MALE FLANGE PLUG A CODED FRONT MOUNT

PP-wires 5X0.34 0.2m

Flange M12 male
5-pole
Front mounting
with multi-strand wire
Stainless Steel 1.4305 (V2A)

[Link to Product](#)**Illustration**

Male



Product may differ from Image

Form

13521

Technical Data

Operating voltage	max. 125 V AC/DC
Operating current per contact	max. 4 A
Locking of ports	Screw thread M12 × 1 mm (recommended torque 0.6 Nm) self-securing
Protection	IP67 inserted and tightened (EN 60529)
Locking material	Stainless Steel 1.4305 (V2A)

Cables

Cable number	975
No./diameter of wires	5 × 0.34 mm ²
Wire isolation	PP (br, wh, bl, bk, gnye)
Shore hardness outer jacket	70 ± 5D
Outer diameter	approx. 1.25 mm
Bend radius (fixed)	5 × outer Ø
Bend radius (moving)	10 × outer Ø
Temperature range (fixed)	-40...+80 °C
Temperature range (mobile)	-25...+80 °C

General data

Temperature range	-25...+85 °C
-------------------	--------------

Commercial data

country of origin	DE
customs tariff number	85444290
minimum order quantity	1