

Adapter for M18×1,5 connections

ZH4C004

Part Number

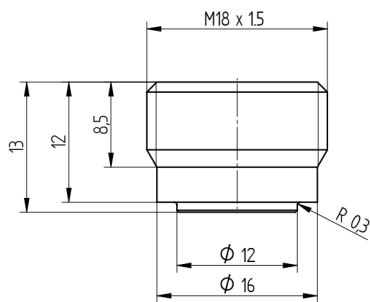
Technical Data

Mechanical Data

Height	12 mm
Material	Stainless Steel 1.4404
Connection	M18×1,5
Packaging unit	1 Piece
Mounting Number	900



This weld-in adapter is suitable for size M18×1.5 connections.



All dimensions in mm (1 mm = 0.03937 Inch)