


MC44005A6W-FPTLW-V2	4 x 40	5mm Character Height	LCD Module
Specification			
Version: 1		Date: 31/10/2016	
Revision			

Display Features			
Character Count	4 x 40		
Appearance	Black on White		
Logic Voltage	5V		
Interface	Parallel		
Font Set	English / Japanese		
Display Mode	Transflective		
Character Height	4.89mm		
LC Type	FSTN		
Module Size	190.00 x 54.00 x 13.00 mm		
Operating Temperature	-20°C ~ +70°C		
Construction	COB	Box Quantity	Weight / Display
LED Backlight	White	15 pcs	140 grams



RoHS
compliant

* - For full design functionality, please use this specification in conjunction with the ST7066U specification. (Provided Separately)

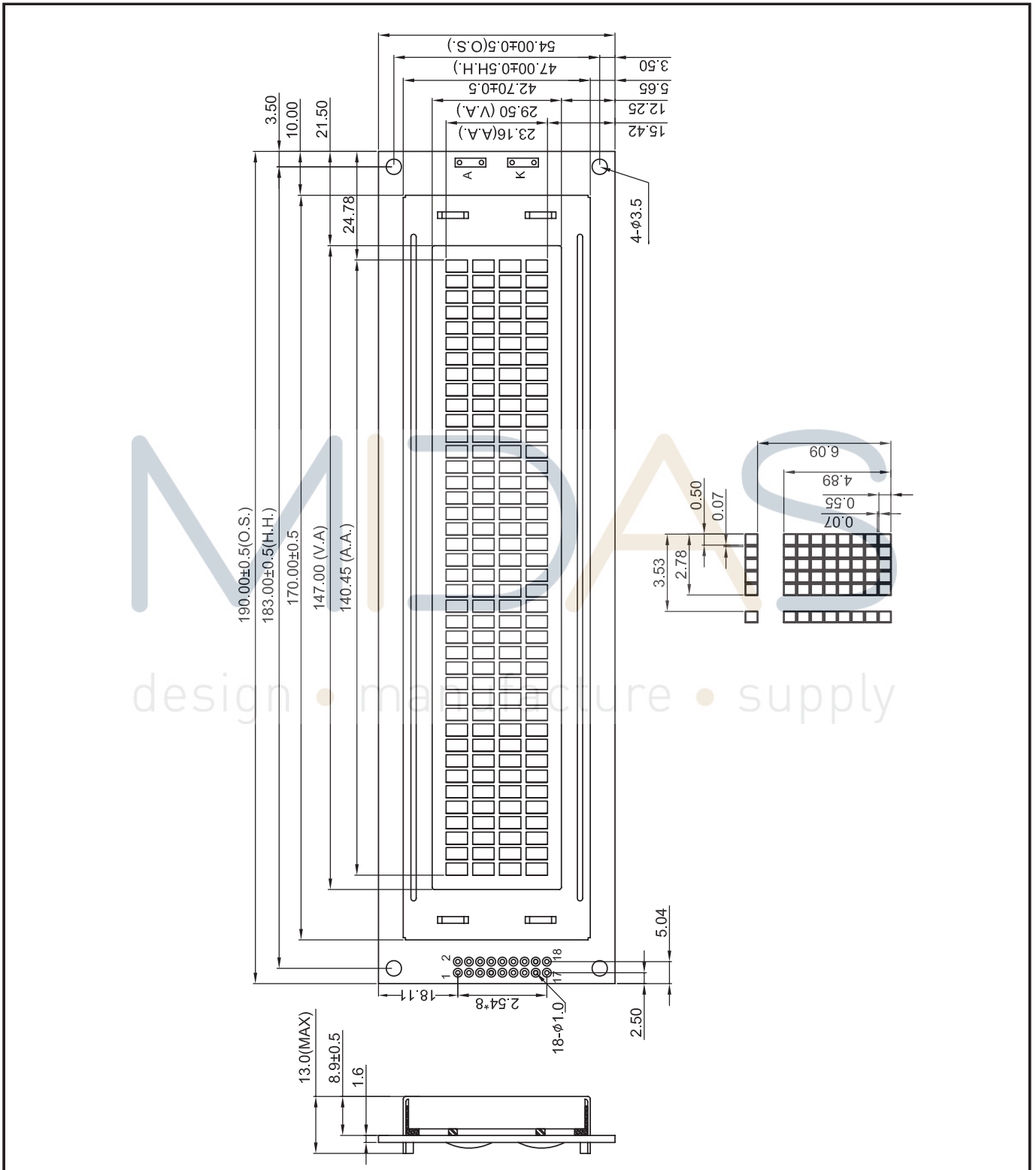
Display Accessories	
Part Number	Description

Optional Variants		
Fonts	Appearances	Voltage
	Black on Yellow/Green White on Blue	



Mechanical Specifications

Module Size	190.00 x 54.00 x 13.00 (With Backlight)				W x H x D mm
Viewing Area	147.00 x 29.50	W x H mm	Hole-to-Hole	183.00 x 47.00	W x H mm
Character Size	2.78 x 4.89	W x H mm	Character Pitch	0.75 x 1.20	W x H mm
Dot Size	0.50 x 0.55	W x H mm	Dot Pitch	0.07 x 0.07	W x H mm



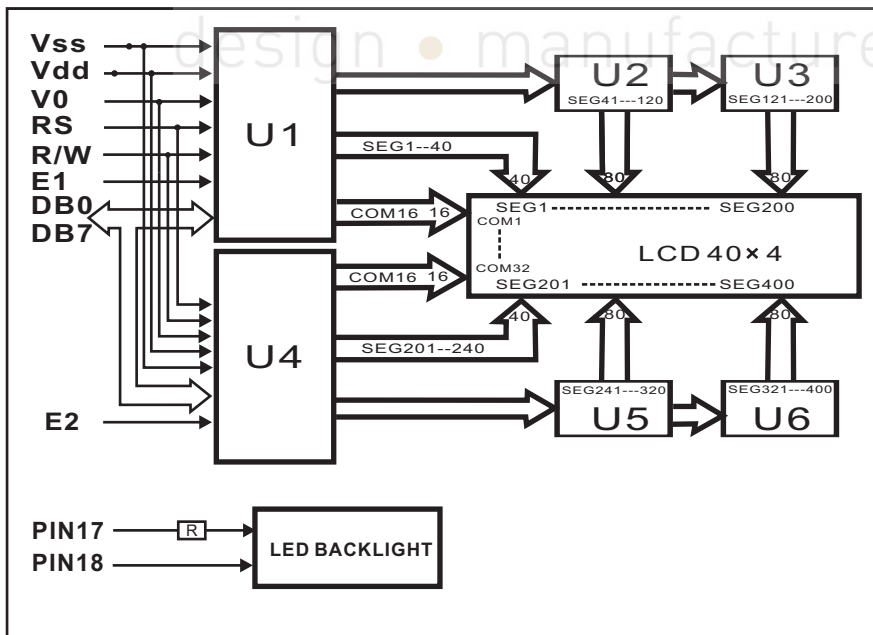
MC44005A6W-FPTLW-V2	2 x 40	5mm Character Height	LCD Module
Specification			
Version: 1	Date: 31/10/2016		
Revision			



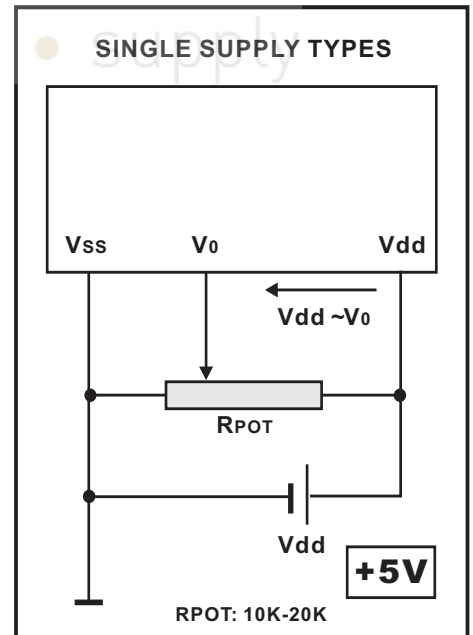
Pin Layout

PI	SYMBOL	DESCRIPTION	REMARKS
1	DB7	Data bus line	
2	DB6	Data bus line	
3	DB5	Data bus line	
4	DB4	Data bus line	
5	DB3	Data bus line	
6	DB2	Data bus line	
7	DB1	Data bus line	
8	DB0	Data bus line	
9	E1	Enable Signal	
10	R/W	Data Read / Write	
11	RS	Register Select Signal	
12	V0	Contrast Adjust	
13	Vss	GND	
14	Vdd	Power supply for LCM	5.0V
15	E2	Enable Signal	
16	NC	No Connection	
17	LED+	Power supply for BKL	5.0V
18	LED-	Power supply for BKL	

Block Diagram



Power Supply Diagram



MC44005A6W-FPTLW-V2	2 x 40	5mm Character Height	LCD Module
Specification			
Version: 1		Date: 31/10/2016	
Revision			



Font Map

Upper 4bit Lower 4bit	LLLL	LLLH	LLHL	LLHH	LHLL	LHLH	LHHL	LHHH	HLLL	HLLH	HLHL	HLHH	HHLL	HHLH	HHHL	HHHH	
LLLL	CG RAM (1)																
LLLH	(2)																
LLHL	(3)																
LLHH	(4)																
LHLL	(5)																
LHLH	(6)																
LHHL	(7)																
LHHH	(8)																
HLLL	(1)																
HLLH	(2)																
HLHL	(3)																
HLHH	(4)																
HHLL	(5)																
HHLH	(6)																
HHHL	(7)																
HHHH	(8)																

MC44005A6W-FPTLW-V2	2 x 40	5mm Character Height	LCD Module
Specification			
Version: 1		Date: 31/10/2016	
Revision			



Absolute Maximum Ratings

Item	Symbol	Condition	Min	Typ	Max	Unit
Power Supply (LOGIC)	Vdd	25°C	-0.3	---	7.0	V
Power Supply (LCD)	V0	25°C	Vdd -13.5	---	Vdd +0.3	V
Input Voltage	Vin	25°C	-0.3	---	Vdd +0.3	V
Operating Temperature	Vopr	---	-20	---	70	C
Storage Temperature	Vstg	---	-30	---	80	C

Electronic Characteristics

Item	Symbol	Condition	Min	Typ	Max	Unit
Input Voltage	Vlcm = Vdd	---	---	5.0	---	V
Supply Current	Idd	Vdd=3V	---	1.5	---	mA
Driving Voltage for LCD Panel	Vlcd = (Vdd - V0)	-20°C	4.05	---	4.55	V
		0°C	4.10	---	4.60	
		25°C	4.20	---	4.70	
		50°C	4.10	---	4.60	
		70°C	3.90	---	4.40	

LCD Characteristics

For STN/FSTN LCD Panel Types						
Item	Symbol	Condition	Min	Typ	Max	Unit
Viewing Angle	$\Phi 2 - \Phi 1$	K = 4	40°	---	---	Deg
	Θ		60°			
Contrast Ratio	K	---	---	10	---	---
Response Time (Rise)	TR	---	---	150	250	ms
Response Time (Fall)	TF	---	---	150	250	ms

LED Characteristics

Item	Symbol	Condition	Min	Typ	Max	Unit
LED Forward Voltage	Vf	25°C If=50mA	2.7	---	3.1	V
LED Forward Current*	If	25°C	---	50	---	mA
LED Reverse Current	Ir	25°C Vr=5.0V	---	---	60	μA
LED Colour Range	X Coordinate	25°C If=50mA	0.26	---	0.30	---
	Y Coordinate		0.27	---	0.31	---
LED Brightness (Without LCD)	Lv	25°C If=50mA	---	433	---	cd/m ²
LED Brightness Uniformity	Lvmin/Lvmax	25°C If=50mA	70	---	---	Ratio
LED Life Time	---	25°C If=50mA	9K	---	---	Hours

Attention: It is constant current, not constant voltage, which should be applied when driving the LED backlight, please ensure you adhere to this rule.

MC44005A6W-FPTLW-V2	2 x 40	5mm Character Height	LCD Module
Specification			
Version: 1		Date: 31/10/2016	
Revision			

