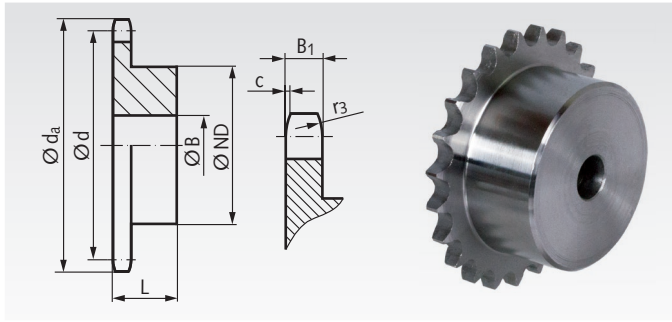


## Sprockets KRS with One-Sided Hub, ISO 04



**Material:** Low-carbon steel, not hardable. Pre-bored.  
Sprockets marked with 1) made from St52 with welded in hub.

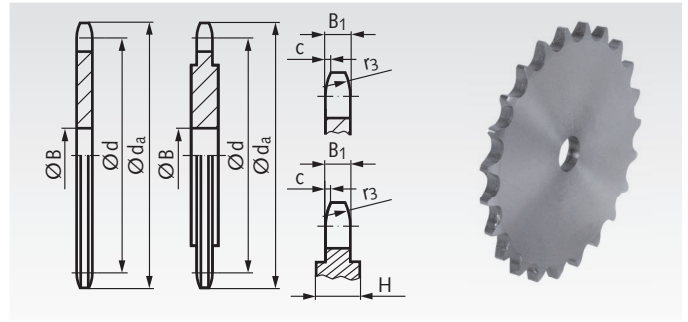
Ordering Details: e.g.: Product No. 100 608 00, KRS, ISO 04, 8 Teeth

### ISO 04, Pitch 6 mm

$B_1 = 2.6 \text{ mm}$ ,  $c = 0.7 \text{ mm}$ ,  $r_3 = 6 \text{ mm}$

Product No.	Number of teeth	$d_a$ mm	$d$ mm	ND mm	B mm	L mm	Weight g
100 608 00	8	18,0	15,67	9,8	5	10	6
100 609 00	9	19,9	17,54	11,5	5	10	8
100 610 00	10	21,7	19,42	13	6	10	10
100 611 00	11	23,6	21,30	14	6	10	12
100 612 00	12	25,4	23,18	16	6	10	17
100 613 00	13	27,3	25,05	18	8	10	19
100 614 00	14	29,2	26,96	20	8	10	24
100 615 00	15	31,0	28,86	20	8	10	25
100 616 00	16	33,0	30,76	20	8	13	33
100 617 00	17	35,0	32,65	20	8	13	35
100 618 00	18	36,9	34,55	20	8	13	37
100 619 00	19	38,8	36,44	20	8	13	38
100 620 00	20	40,7	38,34	20	8	13	42
100 621 00	21	42,6	40,25	25	8	13	56
100 622 00	22	44,5	42,16	25	8	13	60
100 623 00	23	46,4	44,06	25	8	13	63
100 624 00	24	48,3	45,96	25	8	13	64
100 625 00	25	50,2	47,87	25	8	13	65
100 626 00	26	52,1	49,76	30	8	15	98
100 627 00	27	54,0	51,67	30	8	15	101
100 628 00	28	55,9	53,58	30	8	15	103
100 629 00	29	57,8	55,50	30	8	15	107
100 630 00	30	59,8	57,42	30	8	15	111
100 631 00	31	61,7	59,31	30	8	15	115
100 632 00	32	63,6	61,21	30	8	15	118
100 633 00	33	65,5	63,11	30	8	15	121
100 634 00	34	67,4	65,02	30	8	15	124
100 635 00	35	69,3	66,93	30	8	15	126
100 636 00	36	71,2	68,84	30	8	15	132
100 637 00	37	73,1	70,75	30	8	15	136
100 638 00	38	75,0	72,66	30	8	15	140
100 639 00	39	76,9	74,56	30	8	15	143
100 640 00	40	78,9	76,47	30	8	15	146
100 645 00	45	88,5	86,01	40	10	18	229
100 648 00	48	94,2	91,74	62	12	18	480
100 657 00	57	111,4	108,93	50	12	20	530
100 676 00	76	147,6	145,19	80	16	34	773

## Plate wheels KRL, ISO 04



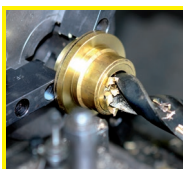
**Material:** Low-carbon steel, not hardable. Pre-bored.  
Pitch 6 mm KRL from a Teeth Number of 54 reinforced (H = 4 mm, see drawing).

Ordering Details: e.g.: Product No. 100 708 00, KRL, ISO 04, 8 Teeth

### ISO 04, Pitch 6 mm

$B_1 = 2.6 \text{ mm}$ ,  $c = 0.7 \text{ mm}$ ,  $r_3 = 6 \text{ mm}$

Product No.	Number of teeth	$d_a$ mm	$d$ mm	B mm	Weight g
100 708 00	8	18,0	15,67	5	2
100 709 00	9	19,9	17,54	5	3
100 710 00	10	21,7	19,42	6	4
100 711 00	11	23,6	21,30	6	5
100 712 00	12	25,4	23,18	6	6
100 713 00	13	27,3	25,05	8	7
100 714 00	14	29,2	26,96	8	8
100 715 00	15	31,0	28,86	8	10
100 716 00	16	33,0	30,76	8	12
100 717 00	17	35,0	32,65	8	13
100 718 00	18	36,9	34,55	8	15
100 719 00	19	38,8	36,44	8	16
100 720 00	20	40,7	38,34	8	19
100 721 00	21	42,6	40,25	8	21
100 722 00	22	44,5	42,16	8	23
100 723 00	23	46,4	44,06	8	26
100 724 00	24	48,3	45,96	8	29
100 725 00	25	50,2	47,87	8	30
100 726 00	26	52,1	49,77	8	34
100 727 00	27	54,0	51,67	8	35
100 728 00	28	55,9	53,58	8	38
100 730 00	30	59,8	57,42	8	45
100 732 00	32	63,6	61,21	10	47
100 735 00	35	69,3	66,93	10	63
100 736 00	36	71,2	68,84	10	67
100 738 00	38	75,0	72,66	10	75
100 740 00	40	78,9	76,47	10	85
100 742 00	42	82,7	80,28	12	90
100 745 00	45	88,5	86,01	12	108
100 748 00	48	94,2	91,74	12	118
100 750 00	50	98,0	95,55	12	128
100 754 00	54	105,6	103,17	12	220
100 757 00	57	111,4	108,93	12	254
100 760 00	60	117,1	114,62	12	291
100 770 00	70	136,2	133,73	16	401
100 776 00	76	147,6	145,19	16	458
100 780 00	80	155,3	152,82	16	508
100 783 00	95	183,9	181,47	16	732
100 788 00	114	220,2	217,75	16	1070



**Reworking within  
24h-service possible.  
Custom made parts  
on request.**

**Bolt-on hubs for  
plate wheels page 105**

