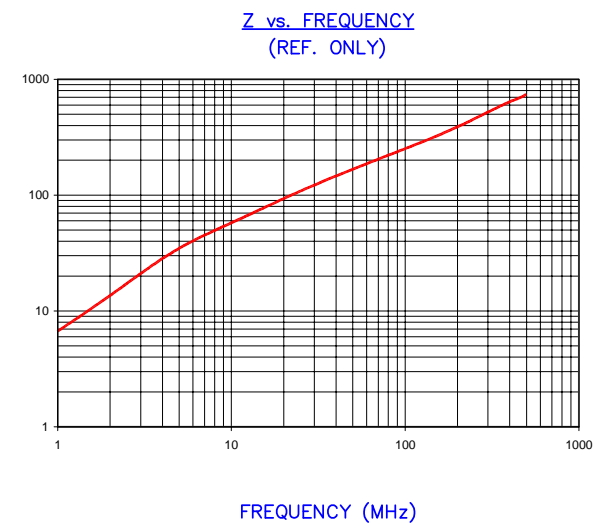
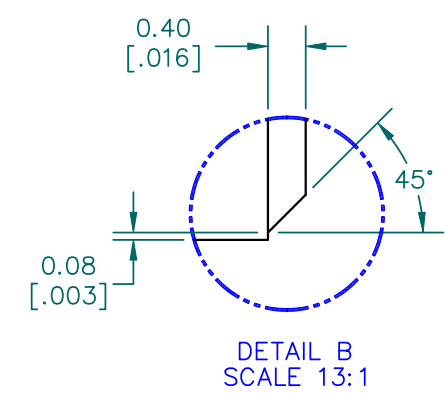
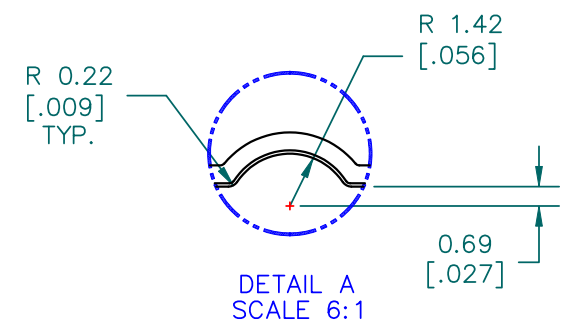
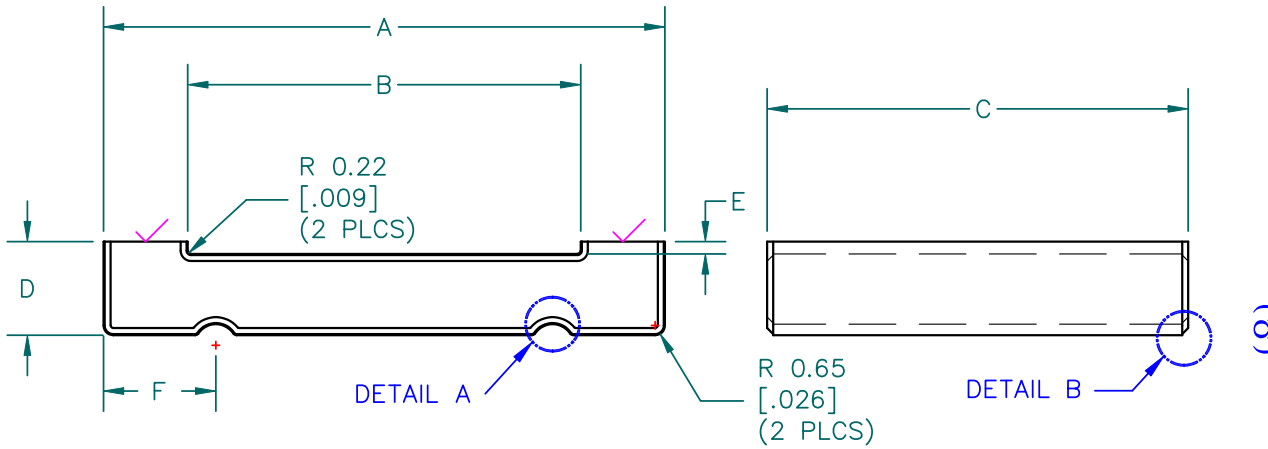


UNCONTROLLED DOCUMENT

IMPEDANCE (Z)			
Frequency	25 MHz	100 MHz	300 MHz
Nominal (REF)	115 Ω	250 Ω	520 Ω
Minimum	- Ω	200 Ω	- Ω



AGILENT E4991A Impedance/Material Analyzer
HP 16092A-Test Fixture

FERRITE CORE DIMENSIONS (SPEC): mm [in]

A	38.10 [1.500]	+	0.76 [0.030]	
B	26.67 [1.050]	+	0.76 [0.030]	
C	25.40 [1.000]	+	0.51 [0.020]	
D	6.35 [.250]	+	0.25 [.010]	
E	0.84 [.033]	+	0.25 [.010]	
F	7.62 [.300]	+	0.25 [.010]	

WEIGHT/1000 30.56 kgs. 67.38 Lbs.

NOTES:

- ADD METAL CLIPS FOR SHIPPING P/N ASSE017-2.

REV	DESCRIPTION	DATE	INT
D	UPDATE FORMAT & Z SPECS ADD CURVE CHANGE TOLS ON F DIMENSION	07/15/03	JRK
C	UPDATE P/N FOR NEW CATALOG	7/27/95	JBE
B	UPDATE	11/02/94	JBE
A	ORIGINAL DRAFT	12/17/90	DJB

THIS DOCUMENT CONTAINS INFORMATION WHICH IS PROPRIETARY AND CONFIDENTIAL TO STEWARD. NO PRODUCTION OR PUBLICATION OF THIS DOCUMENT IN WHOLE OR IN PART SHALL BE MADE WITHOUT WRITTEN AUTHORIZATION FROM STEWARD.

Steward

PROJECT/PART NUMBER: 28S2023-0M0	REV D	PART TYPE: FERRITE SPLIT RIBBON	DRAWN BY: DJB
DATE: 12/17/90	SCALE: 2 : 1	MATERIAL: STEWARD 28	
CAD # 28S2023-0M0-D	TOOL # S2023		

