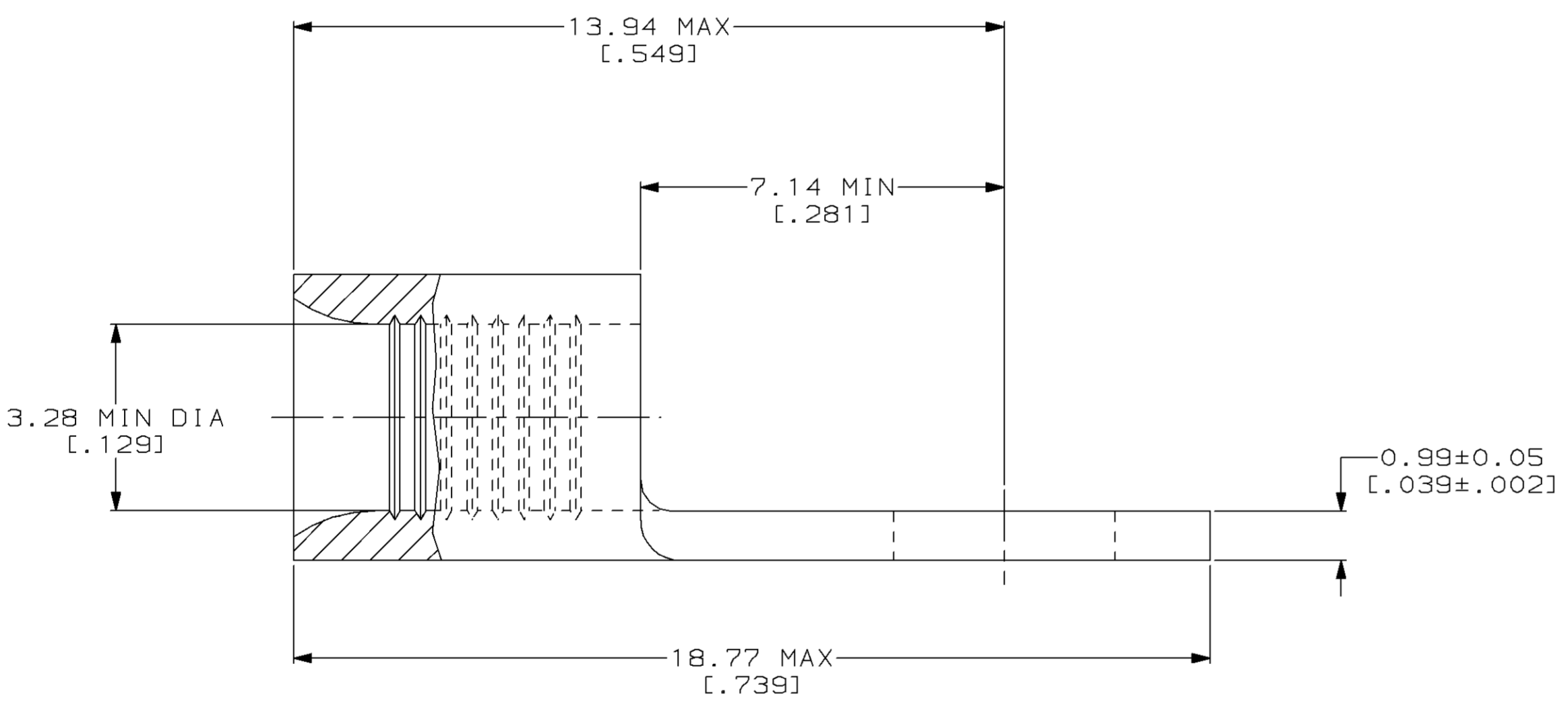
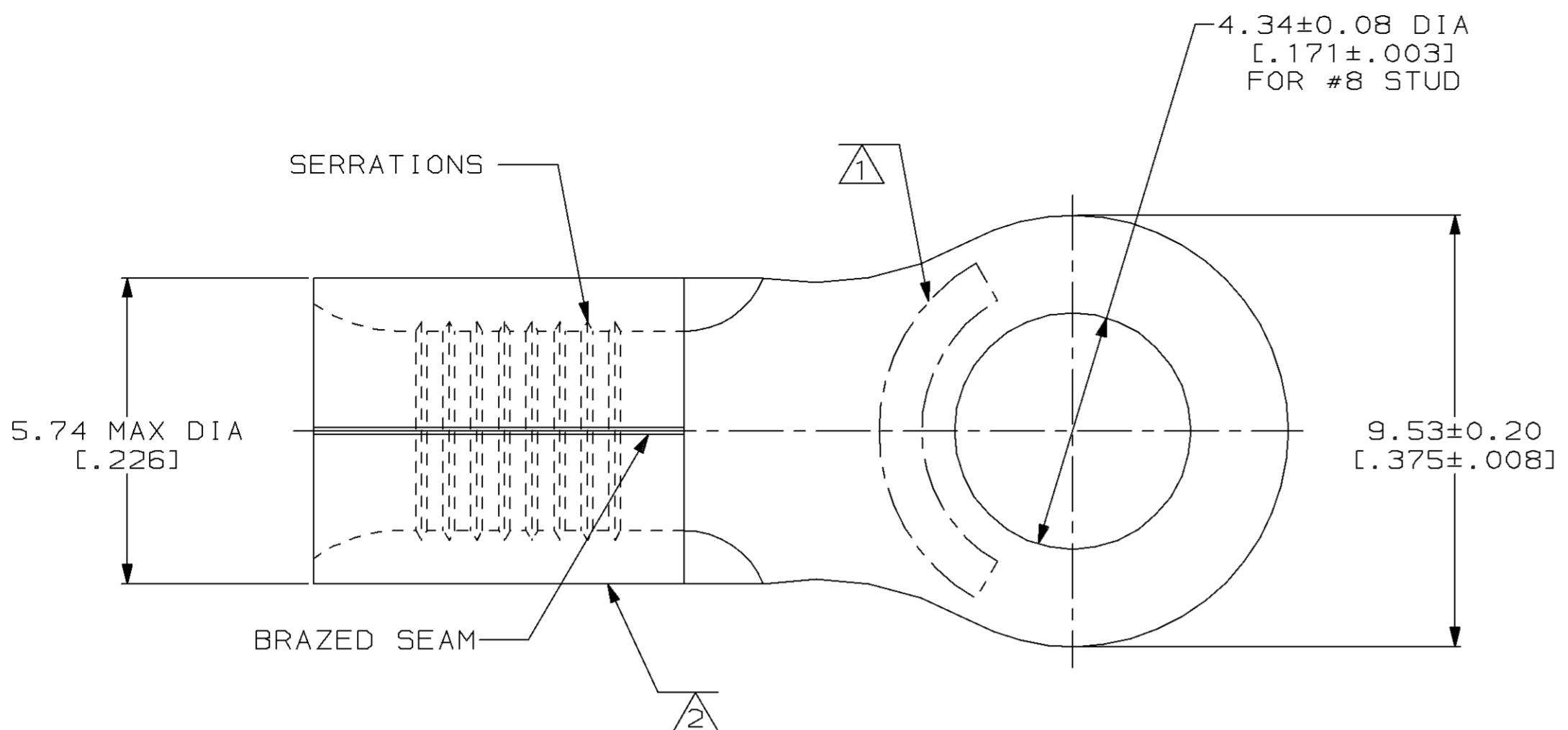


THIS DRAWING IS UNPUBLISHED. RELEASED FOR PUBLICATION, 19 .  
 © COPYRIGHT 19 BY AMP INCORPORATED. ALL INTERNATIONAL RIGHTS RESERVED.

LOC		DIST		P		F		REVISIONS		DATE	APPD
G	14							ZONE	LTR	DESCRIPTION	
									K	REV, RDRW, & SM PKG PER 0720-0061-93	4-16-93
											APP DAP

**METRIC**  
 DIMENSIONS LISTED IN mm [ INCHES ]



<b>AMP</b> WIRE RANGE	<b>UL</b> E13288 Listed
12-10 AWG SOLID OR STRANDED	NOT APPLICABLE
<b>SR</b> LR7189 Certified	MILITARY P/N AND CLASS
NOT APPLICABLE	NOT APPLICABLE

- ① STAMP AMP 12-10 APPROX AS SHOWN
- ② WIRE BARREL COLOR CODED ORANGE TO DENOTE NICKEL MATERIAL

50	LOOSE PIECE, BOX	8-323745-2
----	LOOSE PIECE	323745
QUANTITY	PACKAGE TYPE	PART NO

**AMP INCORPORATED**  
**CUSTOMER SERVICE SYSTEMS**

FOR ADDITIONAL PRODUCT INFORMATION OR COPIES OF DRAWINGS AND TECHNICAL DOCUMENTS  
 PRODUCT INFORMATION CENTER  
 1-800-522-6752

FOR APPLICATION TOOLING INFORMATION  
 TOOLING ASSISTANCE CENTER  
 1-800-722-1111

FOR ORDER ENTRY  
 1-800-526-5142

MAX RECOMMENDED OPERATING TEMPERATURE:  
 649°C MAX

VOLTAGE RATING:  
 NOT APPLICABLE

WIRE CROSS SECTIONAL AREA RANGE:  
 2.62-6.64mm<sup>2</sup> [5,180-13,100] CIR MILS  
 SOLID OR STRANDED

THIS DRAWING IS A CONTROLLED DOCUMENT FOR AMP INCORPORATED. IT IS SUBJECT TO CHANGE AND THE CONTROLLING ENGINEERING ORGANIZATION SHOULD BE CONTACTED FOR THE LATEST REVISION.

DO NOT SCALE PRINT. UNLESS SPECIFIED DIMENSIONS IN mm [INCHES]— TOLERANCES ON:  
 2 PLC DEC ± -  
 3 PLC DEC ± -  
 ANGLES ± -

MATERIAL  
 NICKEL PER ASTM B-162 ANNEALED

FINISH  
 -

DR 4-16-93  
 TA BRINKMAN

CHK 4-16-93  
 DA PATTERSON

APPD 4-16-93  
 DE MILLER

APPD 4-16-93  
 JL MECKLEY

PRODUCT SPEC  
 -

APPLICATION SPEC  
 -

WEIGHT  
 -

**AMP** AMP Incorporated  
 Harrisburg, PA 17105-3608

NAME  
**TERMINAL, RING TONGUE, HIGH TEMPERATURE, STRATO-THERM™**

SIZE  
 © 00779

CAGE CODE  
 ©=323745

DRAWING NO  
 ©=323745

SCALE 10:1

SHEET 1 OF 1