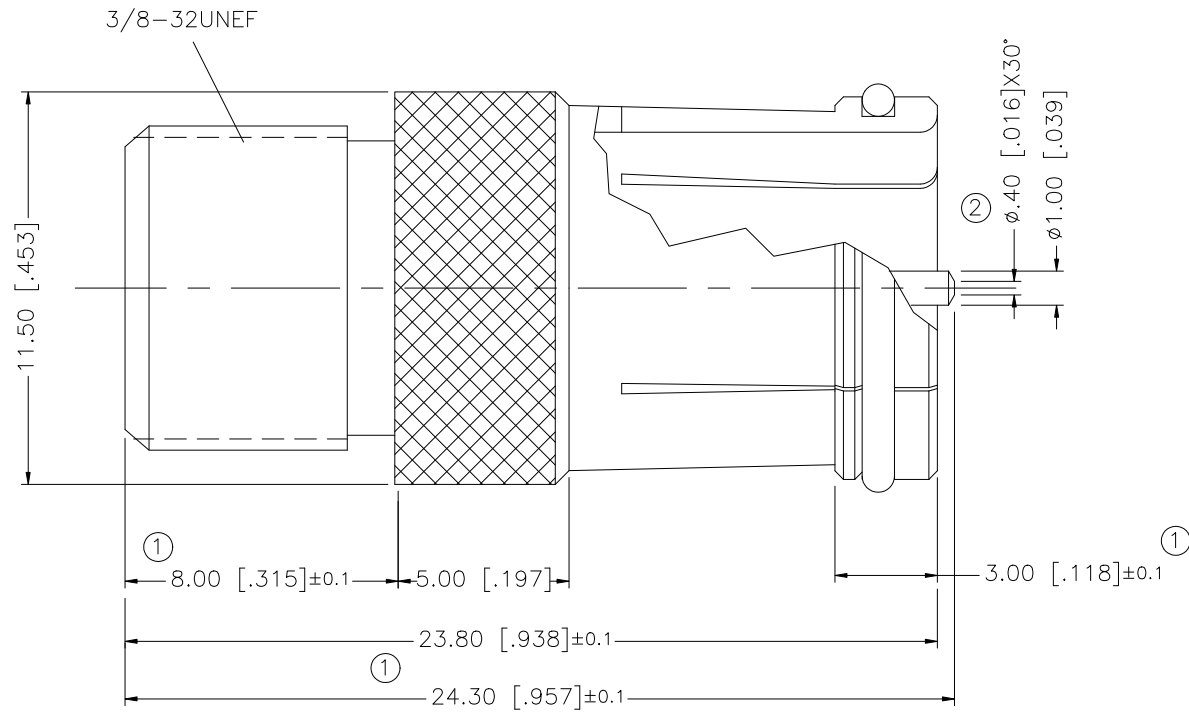


REV.	DATE	DESCRIPTION
NC	11/06/99	INITIAL RELEASE
A	12/27/05	UPDATE DRAWING FORMAT
B	04/20/06	REVISE BODY DIMENSIONS ①
C	07/12/07	ADD CHAMFER TO CONTACT PIN ②



DESCRIPTION	MATERIAL	FINISH	QTY	DO NOT SCALE DRAWING	CAD FILE	DWG. NO.	REV.	SIZE	SCALE
8									
7									
6									
5									
4	CONTACT PIN	BRASS	BRIGHT TIN	1					
3	INSULATOR	P.P.	NATURAL	1					
2	INSULATOR	DELRIN	NATURAL	1					
1	BODY	BRASS	NICKEL	1					
<small>UNLESS OTHERWISE SPECIFIED DIMENSIONS ARE IN MILLIMETERS. DIMENSIONS IN [ ] ARE IN INCHES AND FOR CUSTOMER REFERENCE ONLY.</small> <small>UNLESS OTHERWISE SPECIFIED TOLERANCES FOR MILLIMETERS ARE:</small> 0.5 - 8mm ± 0.20mm 8 - 30mm ± 0.40mm 30 - 120mm ± 0.50mm <small>UNLESS OTHERWISE SPECIFIED TOLERANCES FOR INCHES ARE:</small> .020 - .315 = ± 0.007" .315 - 1.180 = ± 0.015" 1.180 - 4.724 = ± 0.020"					APPROVALS DRAWN G.R.S. CHECKED ISSUED SHEET 1 OF 1 CAD FILE C:/222/222157.DWG	DATE 07/12/07	<h1 style="color: blue;">Amphenol Connex</h1> <p>F FEMALE TO QUICK DISCONNECT MALE ADAPTER</p> <p>PART NO. 222157</p>		
DWG. NO. 222157.DWG						REV. C	SIZE A	SCALE NA	