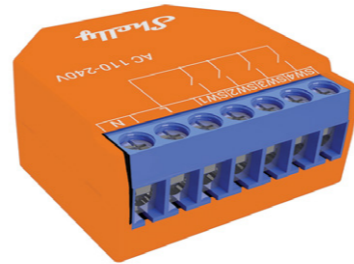


# Shelly PLUS i4



## COMPLEX SCENE ACTIVATION

Manually activate or deactivate complex scenes. With Shelly Plus i4 you can run synchronized actions of several Shelly devices. You can install Shelly Plus i4 close to the front door of your home and turn off/on all the lights in your house with one push of the button, saving you time when you are in a hurry.



## MANUAL CONTROL OF OTHER SHELLEY DEVICES



### Wi-Fi operated

Connect Shelly Plus i4 directly to your Wi-Fi network.



### Bluetooth

Add devices quickly and easy via Bluetooth connection, using Shelly Cloud App



### Wide range of voltage support

Shelly Plus i4 can be powered by 110-240 V AC



### Multi-actions support

Up to 12 possible actions.



### Extremely fast processor

For immediate command execution and notification



### Enhanced security

MQTT and WSS support, TLS and custom certificates support for a broad range of use cases.



### Improved API interface

Broad range of cloud connections and local integrations.



### No hub required

Control directly and without a hub through your smartphone with Shelly Cloud App.



### Highly compatible

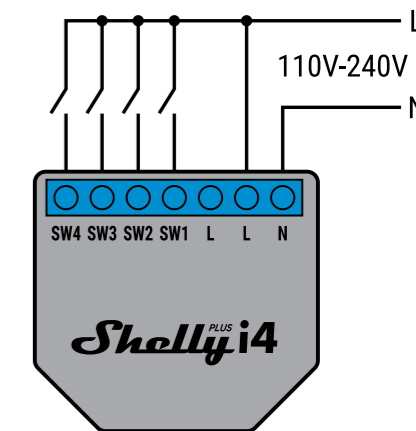
Use with your preferred home automation platforms and voice assistants

## SMART SCENES ACTIVATION WITH ENHANCED CONTROL

Shelly Plus i4 allows customers to manually activate or deactivate any created scene, run synchronized actions, or execute complex trigger scenarios. Shelly Plus i4 can control other connected Shelly switches, sensors, or HTTP and MQTT-controlled devices. Thanks to its small dimensions, it can fit behind every wall switch.

## TECHNICAL SPECIFICATIONS

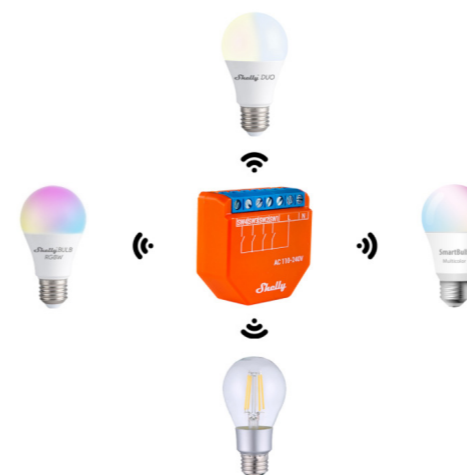
<b>Power Supply</b>	• 110-240 VAC, 50/60 Hz
<b>Multi-click support</b>	Up to 12 possible actions (3 per button)
<b>Complies with EU standards</b>	• RED 2014/53/EU • LVD 2014/35/EU • EMC 2014/30/EU • RoHS2 2011/65/EU
<b>Working temperature</b>	-20°C ÷ 40°C
<b>Max RF power</b>	14.9 dBm
<b>Radio protocol</b>	Wi-Fi 802.11 b/g/n
<b>Frequency</b>	2400 - 2495 MHz
<b>Operational range (depending on local conditions)</b>	• up to 50 m outdoors • up to 30 m indoors
<b>Dimensions</b>	42x37x16 mm
<b>Electrical consumption</b>	< 1mW
<b>Wire cross section range</b>	0.5 ÷ 1.5 mm <sup>2</sup>



### Legend

#### Terminals:

- N:** Neutral terminal
- L:** Live (110-240V) terminal
- SW1:** Switch terminal
- SW2:** Switch terminal
- SW3:** Switch terminal
- SW4:** Switch terminal
- Wires:**
- N:** Neutral wire
- L:** Live (110-240V) wire



### Smart Bulbs control like never before

Whether you use Shelly Wi-Fi bulbs or different brands smart bulbs, Shelly Plus i4 is highly compatible and can control them all! Furthermore, you can use Shelly Plus i4 to set the light color you want or for dimming of your smart bulbs. All you have to do is add and configure one of our scripts or webhooks created specifically for Shelly Plus i4

