

A3116069

COM-KNOBS 16, without recess

Suitable for rotary potentiometer with round shaft ends according to DIN 41591. Collet system for convenient knob assembly from the front. Borehole with chamfer.

Max. torque: assembly = 0.8 Nm, function = 0.7 Nm.

Supply

1 COM-KNOB (without recess)



TECHNICAL DATA

| | | | |
|-----------|------------------------------------|-----------|-------|
| Material | PA 6 | Diameter | 16 mm |
| Colour | nero | Height | 16 mm |
| Standards | RoHS compliant, REACH compliant | Bore hole | 6 mm |

Please take the dimensions from current parts. These are subject to material- and manufacturing-specific tolerances.

PURCHASING DATA

| | |
|--|----------|
| Weight/1 part | 6 g |
| Customs tariff number (OKW product) | 84879090 |
| Country of manufacture | Germany |

CUSTOMISING OPTIONS

What else do you need to create your own personal product? We can supply our enclosures and tuning knobs fully modified to suit your electronic components and design requirements. Please advise for anything else we can do for you.

A3116069

COM-KNOBS 16, without recess

Customising options for A3116069



Machining



Lacquering



Printing



Laser marking



Installation / Assembly
of accessories

A3116069

COM-KNOBS 16, without recess

SYSTEM COMPONENTS TO COMPLETE



A3216003
Cover 16
PA 6
coral



A3216004
Cover 16
PA 6
beach



A3216005
Cover 16
PA 6
lagoon



A3216006
Cover 16
PA 6
sky



A3216007
Cover 16
PA 6
mineral



A3216009
Cover 16
PA 6
nero

ACCESSORY "SCREWS"



A6207009
Round nut M7 x 0.75



A6210009
Round nut M10 x 0.75



A6295009
Round nut 3/8"-32G



A6300000
Spanner



A7516000
Nut cover 16, without line
ABS (UL 94 HB)
black RAL 9005



A7516010
Nut cover 16, with line
ABS (UL 94 HB)
black RAL 9005



A7516018
Nut cover 16, with line
ABS (UL 94 HB)
dusty grey RAL 7037



A7616000
Nut cover 16, without line
ABS (UL 94 HB)
black RAL 9005

A3116069

COM-KNOBS 16, without recess



A7616008
 Nut cover 16, without line
 ABS (UL 94 HB)
 dusty grey RAL 7037

ACCESSORY



A4416001
 Dial 16
 PC (UL 94 HB)
 transparent



A4416010
 Dial 16
 PC (UL 94 HB)
 transparent



A4416020
 Dial 16
 PC (UL 94 HB)
 transparent



A4416060
 Dial 16
 PC (UL 94 HB)
 transparent



A6016019
 Stator 16
 Aluminium

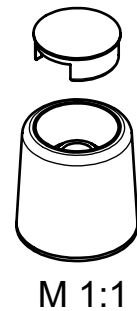
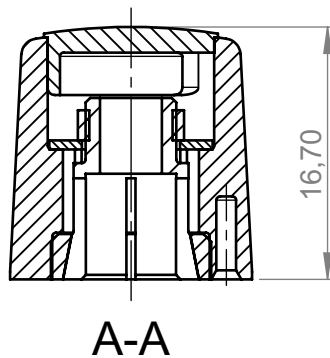
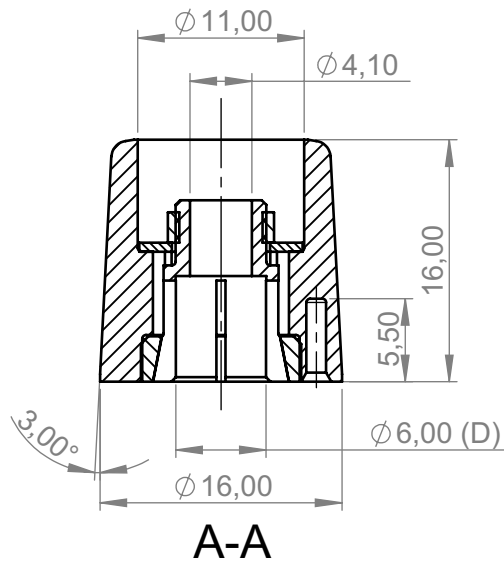
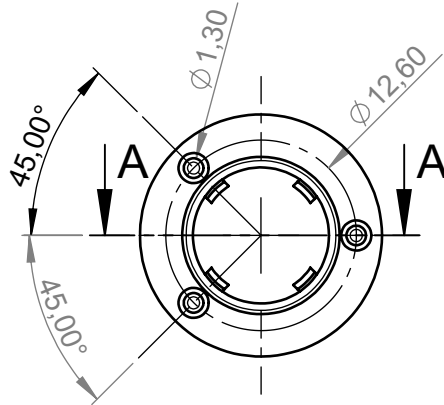


A7316000
 Disk 16, without line
 ABS (UL 94 HB)
 black RAL 9005



A7316010
 Disk 16, with line
 ABS (UL 94 HB)
 black RAL 9005

Subject to technical modification without notice. © by OKW Gehäusesysteme, Buchen/Germany.



| | | | | |
|---|--|---|----------------|---|
| Informationskopie wird nicht aktualisiert Copy for Information will not be updated | Erst. am: 03.07.2012 | Toleranzen: | Status: |  DIN 6 Teil 2 |
| | Erst. von: D. Hasselbach | DIN 16901 T130 | SERIENFREIGABE | |
| | Freig. am: 20.09.2013 | Volumen: | Zeichnungsart: | |
| | Freig. von: D. Hasselbach | | KUNDE | |
| Revision: 05 | This document contains proprietary information of OKW Gehäusesysteme GmbH and is tendered subject to the conditions that the information be retained in confidence not be reproduced or copied and not be used or incorporated in any product. | | | |
| Technische Änderungen vorbehalten. Irrtümer oder Druckfehler begründen keinen Anspruch auf Schadenersatz. Wichtige Einbaumaße bitte direkt mit dem aktuellen Produkt abstimmen. Subject to technical modification without prior notice. Typographical and other errors do not justify any claim for damages. All dimensions should be verified using an actual moulded part. Sous reserve de modifications techniques. Toute erreur ou faute d'impression ne justifie aucune demande d'indemnisation. Nous prions les clients de verifier les dimensions des composants avec les boitiers avant le montage. |  GEHÄUSE SYSTEME | COM-KNOBS 16 Borehole $\varnothing 4$ mm, with chamfer | | |
| | | A311606* | | M 2:1 |
| | | Für dieses Dokument behalten wir uns alle Urheberrechte vor. Es darf auch auszugsweise weder vervielfältigt noch Dritten in irgendeiner Form zugänglich gemacht werden. | | Dateiname: 00010574 |