

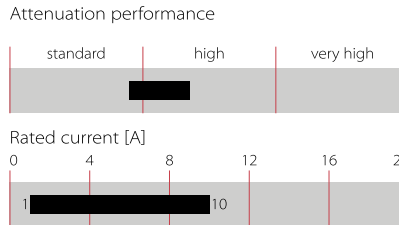
Compact filtered power entry module



- Complies with IEC/EN 60601-1
- Rated currents up to 10 A
- Single or dual-fuse holder
- Fuses Ø5 x 20 mm
- 2-pole rocker switch
- General purpose application
- Optional earth line choke (E type)
- Optional medical versions (B type)



Performance indicators



Approvals & Compliances



(CQC except HI-types)

The FN 280 power entry module combines an IEC inlet, a mains filter with single or dual-fuse holder and a 2-pole rocker switch in a small form factor. Choosing FN 280 product line brings you the rapid availability of a standard filter associated with the necessary safety acceptances. Standard IEC connector filters are a practical solution helping you to pass EMI system approval in a short time. A wide selection on amperage ratings, fuse options, mounting possibilities and filters for medical applications are designed to offer you the desired solution.

Features and benefits

- High conducted attenuation performance, based on chokes with high saturation resistance and excellent thermal behavior
- Rear/front or snap-in mounting
- Single or dual-fuse holder
- 2-pole rocker switch
- Custom-specific versions are available on request

Technical specifications

- Maximum continuous operating voltage**
- Operating frequency**
- Rated currents**
- High potential test voltage**
- Protection category**
- Temperature range (operation and storage)**
- Design corresponding to**
- Flammability corresponding to**
- MTBF @ 40°C/230 V (Mil-HB-217F)**
- Fuse holder**
- Power acceptance @ amb. temperature**
- Marking**
- Rocker switch description**
- Function**

250 V, 50/60 Hz
 DC to 400 Hz
 1 to 10 A @ 40°C max.
 P → PE 2000 VAC for 2 sec (standard types)
 P → PE 2500 VAC for 2 sec (B types)
 P → N 760 VAC for 2 sec
 IP 40 according to IEC 60529
 -25°C to +85°C (25/85/21)
 UL 1283, CSA 22.2 No. 8 1986, IEC/EN 60939
 UL 94 V-2 or better
 1,500,000 hours
 1 or 2 fuses (Ø5 x 20 mm) (certified to IEC 60127-6)
 max. 250 V – (text is print, below fuse symbol)

Electrical specifications

- Switch ratings**
- USA (UL) and Canada (C-UL)**
- Europe (ENEC)**
- Mechanical life**

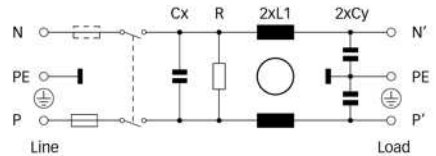
2-pole, dark not illuminated
 Marking I - 0
 Inrush current 82 A
 6,000 on-off operations according to UL 1054, TV5
 10,000 on-off operations according to ENEC
 10 A, 125 VAC; 10 A, 250 VAC; 1/3 HP
 10 A (4 A), 250 VAC*
 50,000 cycles

* Value in () relates to the inductive current charge: $\cos\phi = 0.65$

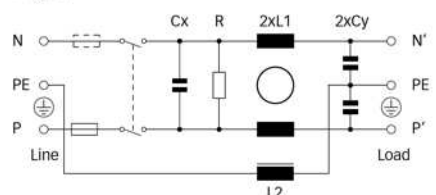
Typical applications

- Portable electrical and electronic equipment
- Consumer goods
- EDP and office equipment
- Single-phase power supplies, switch-mode power supplies
- Test and measurement equipment
- Medical equipment

Typical electrical schematic



E types



Filter selection table

Filter	Rated current @ 40°C (25°C) [A]	Leakage current* @ 230 VAC/50 Hz [µA]	Inductance**		Capacitance**		Resistance** R [kΩ]	Output connections	Fuses*** [Qty]	Weight [g]
			L1 [mH]	L2 [mH]	Cx [nF]	Cy [nF]				
FN 281-1-06	1 (1.2)	373	7.5		220	2.2	1000	-06	1	90
FN 281-2-06	2 (2.4)	373	2		220	2.2	1000	-06	1	90
FN 281-4-06	4 (4.8)	373	1		220	2.2	1000	-06	1	90
FN 281-6-06	6 (7.2)	373	0.45		220	2.2	1000	-06	1	90
FN 281-10-06	10 (11.6)	373	0.34		220	2.2	1000	-06	1	90
FN 282-1-06	1 (1.2)	373	7.5		220	2.2	1000	-06	2	90
FN 282-2-06	2 (2.4)	373	2		220	2.2	1000	-06	2	90
FN 282-4-06	4 (4.8)	373	1		220	2.2	1000	-06	2	90
FN 282-6-06	6 (7.2)	373	0.45		220	2.2	1000	-06	2	90
FN 282-10-06	10 (11.6)	373	0.34		220	2.2	1000	-06	2	90
FN 283-1-06	1 (1.2)	373	7.5		220	2.2	1000	-06	1	90
FN 283-2-06	2 (2.4)	373	2		220	2.2	1000	-06	1	90
FN 283-4-06	4 (4.8)	373	1		220	2.2	1000	-06	1	90
FN 283-6-06	6 (7.2)	373	0.45		220	2.2	1000	-06	1	90
FN 283-10-06	10 (11.6)	373	0.34		220	2.2	1000	-06	1	90
FN 284-1-06	1 (1.2)	373	7.5		220	2.2	1000	-06	2	90
FN 284-2-06	2 (2.4)	373	2		220	2.2	1000	-06	2	90
FN 284-4-06	4 (4.8)	373	1		220	2.2	1000	-06	2	90
FN 284-6-06	6 (7.2)	373	0.45		220	2.2	1000	-06	2	90
FN 284-10-06	10 (11.6)	373	0.34		220	2.2	1000	-06	2	90
FN 285-1-06	1 (1.2)	373	7.5		220	2.2	1000	-06	1	90
FN 285-2-06	2 (2.4)	373	2		220	2.2	1000	-06	1	90
FN 285-4-06	4 (4.8)	373	1		220	2.2	1000	-06	1	90
FN 285-6-06	6 (7.2)	373	0.45		220	2.2	1000	-06	1	90
FN 285-10-06	10 (11.6)	373	0.34		220	2.2	1000	-06	1	90
FN 286-1-06	1 (1.2)	373	7.5		220	2.2	1000	-06	2	90
FN 286-2-06	2 (2.4)	373	2		220	2.2	1000	-06	2	90
FN 286-4-06	4 (4.8)	373	1		220	2.2	1000	-06	2	90
FN 286-6-06	6 (7.2)	373	0.45		220	2.2	1000	-06	2	90
FN 286-10-06	10 (11.6)	373	0.34		220	2.2	1000	-06	2	90
FN 283 E-1-06	1 (1.2)	373	7.5	0.4	220	2.2	1000	-06	1	100
FN 283 E-2-06	2 (2.4)	373	2	0.4	220	2.2	1000	-06	1	100
FN 283 E-4-06	4 (4.8)	373	1	0.4	220	2.2	1000	-06	1	100
FN 283 E-6-06	6 (7.2)	373	0.45	0.4	220	2.2	1000	-06	1	100
FN 284 E-1-06	1 (1.2)	373	7.5	0.4	220	2.2	1000	-06	2	100
FN 284 E-2-06	2 (2.4)	373	2	0.4	220	2.2	1000	-06	2	100
FN 284 E-4-06	4 (4.8)	373	1	0.4	220	2.2	1000	-06	2	100
FN 284 E-6-06	6 (7.2)	373	0.45	0.4	220	2.2	1000	-06	2	100
FN 282 B-1-06	1 (1.2)	2	7.5		220		1000	-06	2	90
FN 282 B-2-06	2 (2.4)	2	2		220		1000	-06	2	90
FN 282 B-4-06	4 (4.8)	2	1		220		1000	-06	2	90
FN 282 B-6-06	6 (7.2)	2	0.45		220		1000	-06	2	90
FN 282 B-10-06	10 (11.6)	2	0.34		220		1000	-06	2	90

*** Maximum leakage under normal operating conditions. Note: if the neutral line is interrupted, worst case leakage could reach twice this level.

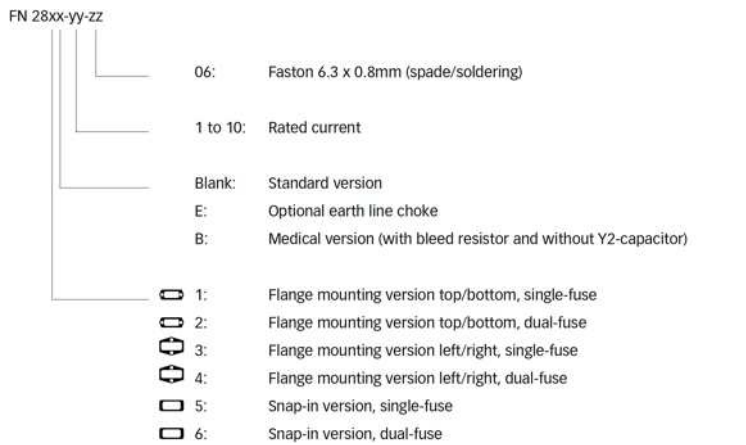
*** Tolerances apply: Inductance: -30/+50%, Capacitance: ±20%, Resistance: ±10%

*** Filters are delivered without fuse.

Filter	Rated current @ 40°C (25°C) [A]	Leakage current* @ 230 VAC/50 Hz [µA]	Inductance**		Capacitance**		Resistance** R [kΩ]	Output connections	Fuses*** [Qty]	Weight [g]
			L1 [mH]	L2 [mH]	Cx [nF]	Cy [nF]				
FN 284 B-1-06	1 (1.2)	2	7.5		220		1000	-06	2	90
FN 284 B-2-06	2 (2.4)	2	2		220		1000	-06	2	90
FN 284 B-4-06	4 (4.8)	2	1		220		1000	-06	2	90
FN 284 B-6-06	6 (7.2)	2	0.45		220		1000	-06	2	90
FN 284 B-10-06	10 (11.6)	2	0.34		220		1000	-06	2	90
FN 286 B-1-06	1 (1.2)	2	7.5		220		1000	-06	2	90
FN 286 B-2-06	2 (2.4)	2	2		220		1000	-06	2	90
FN 286 B-4-06	4 (4.8)	2	1		220		1000	-06	2	90
FN 286 B-6-06	6 (7.2)	2	0.45		220		1000	-06	2	90
FN 286 B-10-06	10 (11.6)	2	0.34		220		1000	-06	2	90

*** Maximum leakage under normal operating conditions. Note: if the neutral line is interrupted, worst case leakage could reach twice this level.
 *** Tolerances apply: Inductance: -30/+50%, Capacitance: ±20%, Resistance: ±10%
 *** Filters are delivered without fuse.

Product selector

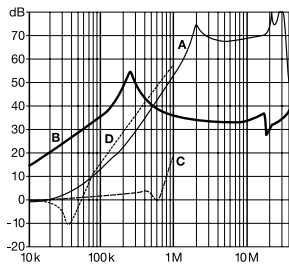


For example: FN 281-6-06, FN 283 B-04-06, FN 283 E-1-06

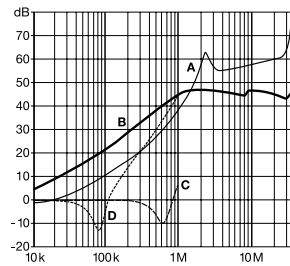
Typical filter attenuation

Per CISPR 17; A=50 Ω/50 Ω sym; B=50 Ω/50 Ω asym; C=0.1 Ω/100 Ω sym; D=100 Ω/0.1 Ω sym

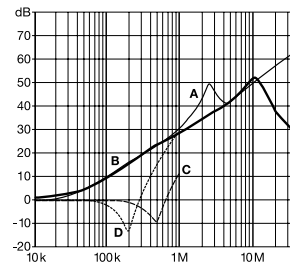
1 A types



2 to 6 A types



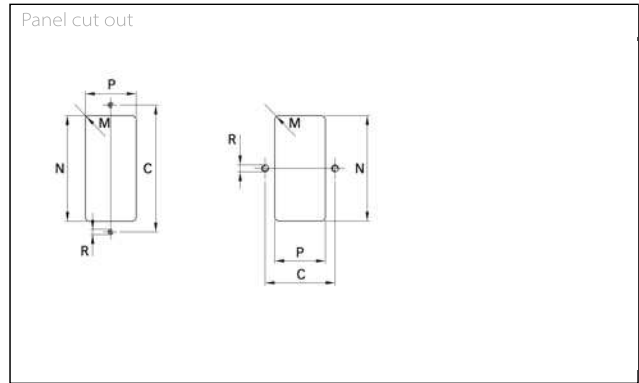
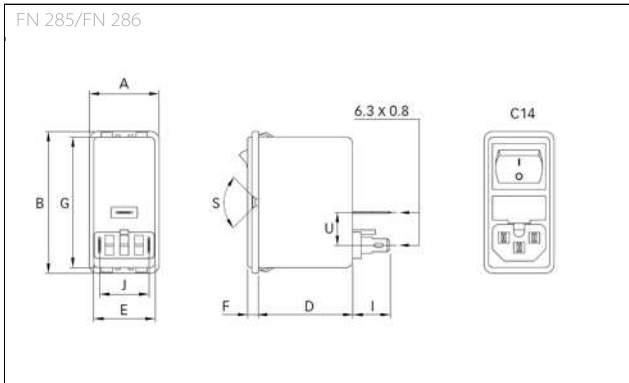
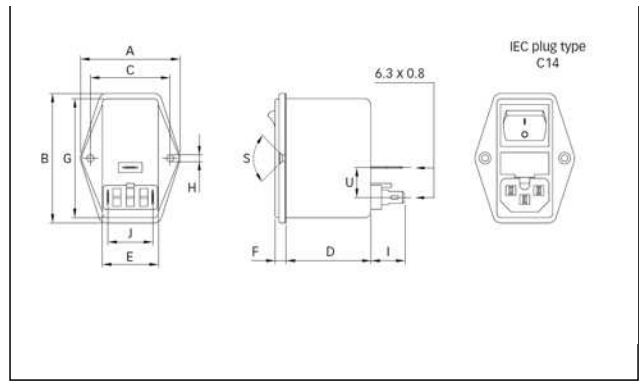
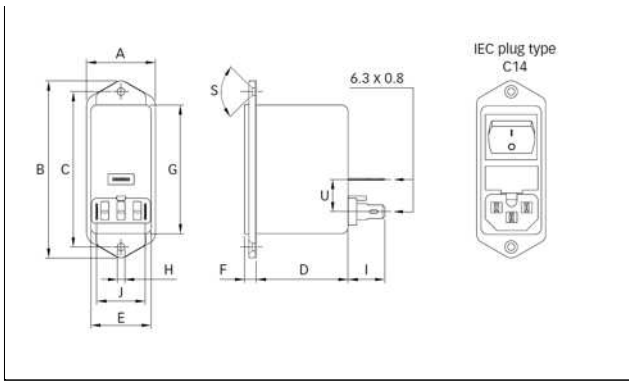
10 A types



Mechanical data

FN 281/FN 282

FN 283/FN 284



Dimensions

	FN 281	FN 282	FN 283	FN 284	FN 285	FN 286	Tolerances
A	32	32	50	50	32	32	±0.3
B	82	82	65	65	65	65	±0.3
C	72	72	40	40	72	72	±0.1
D	43.1	43.1	43.1	43.1	43.6	43.6	±0.3
E	28.5	28.5	28.5	28.5	28.5	28.5	±0.25
F	5.5	5.5	5.5	5.5	5	5	±0.3
G	59.95 max.	59.95 max.	59.95 max.	59.95 max.	59.95 max.	59.95 max.	
H	Ø3.5	Ø3.5	Ø3.3	Ø3.3			
I	13.4	16.2	13.4	16.2	13.9	16.7	±0.3
J	22.5	22.5	22.5	22.5	22.5	22.5	
M	R ≤2.5	R ≤2.5	R ≤2.5	R ≤2.5	R ≤2.5	R ≤2.5	
N	60	60	60	60	61.5+0.2/-0*	61.5+0.2/-0*	+0.5/-0
P	29	29	29	29	29	29	+0.5/-0
R	M3	M3	M3	M3			
S	90°	90°	90°	90°			

* For a panel thickness between 0.8 and 3 mm

All dimensions in mm; 1 inch = 25.4 mm
Tolerances according: ISO 2768-m/EN 22768-m

Please visit www.schaffner.com to find more details on filter connectors.



Switzerland**Schaffner Group**

Industrie Nord
 Nordstrasse 11e
 4542 Luterbach
 T +41 32 681 66 26
info@schaffner.com

China**Schaffner EMC Ltd. Shanghai**

T20-3 C, No 565 Chuangye Road,
 Pudong district
 201201 Shanghai
 T +86 21 3813 9500
cschina@schaffner.com
www.schaffner.com.cn

Finland**Schaffner Oy**

Sauvonrinne 19 H
 08500 Lohja
 T +358 10 567 2855
finlandsales@schaffner.com

France**Schaffner EMC S.A.S.**

16-20 Rue Louis Rameau
 95875 Bezons
 T +33 1 34 34 30 60
 F +33 1 39 47 02 28
francesales@schaffner.com

Germany**Schaffner Deutschland GmbH**

Schoemperlenstrasse 12B
 76185 Karlsruhe
 T +49 721 56910
 F +49 721 569110
germanysales@schaffner.com

India**Schaffner India Pvt. Ltd**

REGUS WORLD TRADE CENTRE
 WTC, 22nd Floor Unit No 2238, Brigade Gateway
 Campus, 26/1, Dr. Rajkumar Road Malleshwaram
 (W)
 560055 Bangalore
 T +91 80 67935355
indiasales@schaffner.com

Italy**Schaffner EMC S.r.l.**

Via Ticino, 30
 20900 Monza (MB)
 T +39 039 21 41 070
italysales@schaffner.com

Japan**Schaffner EMC K.K.**

Taiju-Seimei Sangenjaya Bldg.
 1-32-12, Kamiyama, Setagaya-ku
 154-0011 Tokyo
 T +81 3 5712 3650
 F +81 3 5712 3651
japansales@schaffner.com
www.schaffner.jp

Singapore**Schaffner EMC Pte Ltd.**

#05-09, Kg Ubi Ind. Estate
 408705 Singapore
 T +65 6377 3283
 F +65 6377 3281
singaporesales@schaffner.com

Spain**Schaffner EMC España**

Calle Caléndula 93, Miniparc III, Edificio E
 El Soto de Moraleja, Alcobendas
 28109 Madrid
 T +34 917 912 900
 F +34 917 912 901
spainsales@schaffner.com

Sweden**Schaffner EMC AB**

Östermalmstorg 1
 114 42 Stockholm
 T +46 8 5050 2425
swedensales@schaffner.com
www.schaffner.com

Switzerland**Schaffner EMV AG**

Industrie Nord
 Nordstrasse 11e
 4542 Luterbach
 T +41 32 681 66 26
switzerlandsales@schaffner.com

Taiwan R.O.C.**Schaffner EMV Ltd.**

20 Floor-2, No 97, Section 1, XinTai 5th Road
 22175 XiZhi District New Taipei City 22175
 T +886 2 2697 5500
 F +886 2 2697 5533
taiwansales@schaffner.com
www.schaffner.com.tw

Thailand**Schaffner EMC Co. Ltd.**

Northern Region Industrial Estate
 67 Moo 4 Tambon Ban Klang
 Amphur Muang P.O. Box 14
 51000 Lamphun
 T +66 53 58 11 04
 F +66 53 58 10 19
thailandsales@schaffner.com

United Kingdom**Schaffner Ltd.**

1, Oakmede Place
 Binfield
 RG42 4JF Berkshire
 T +44 118 9770070
 F +44 118 9792969
uksales@schaffner.com

USA**Schaffner EMC Inc.**

52 Mayfield Avenue
 Edison, New Jersey
 T +1 732 225 9533
 F +1 732 225 4789
usasales@schaffner.com
www.schaffnerusa.com

Schaffner North America

6722 Thirlane Road
 24019 Roanoke, Virginia
 T +1 276 228 7943
 F +1 276 228 7953

Schaffner North America

823 Fairview Road
 24382 Wytheville, Virginia
 T +1 276 228 7943
 F +1 276 228 7258

To find your local partner within Schaffner's global network: www.schaffner.com

© 2018 Schaffner Group

The content of this document has been carefully checked and understood. However, neither Schaffner nor its subsidiaries assume any liability whatsoever for any errors or inaccuracies of this document and the consequences thereof. Published specifications are subject to change without notice. Product suitability for any area of application must ultimately be determined by the customer. In all cases, products must never be operated outside their published specifications. Schaffner does not guarantee the availability of all published products. This disclaimer shall be governed by substantive Swiss law and resulting disputes shall be settled by the courts at the place of business of Schaffner Holding AG. Latest publications and a complete disclaimer can be downloaded from the Schaffner website. All trademarks recognized.