



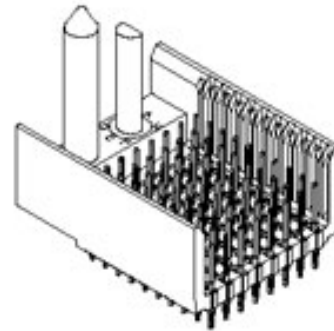
Part Number : [751982501](#)

Product Description : VHDM L-Series Single-Ended Backplane Header, 2.00mm Pitch, Guide Pin Signal Module, Pin End Version, 8 Rows, 200 Circuits, 25 Columns, Pin Length 4.75m, Lead-Free

Series Number : 75198

Status : Active

Product Category : Backplane Connectors



Documents & Resources

Drawings

[Drawing 751982501_sd.pdf](#)


[Packaging Design Drawing PK-74061-003-001.pdf](#)

Specifications

[Product Specification PS-74031-999-001.pdf](#)

Product Environment Compliance

Compliance

GADSL/IMDS	Not Relevant
China RoHS	
EU ELV	Not Relevant
Low-Halogen Status	Low-Halogen per IEC 61249-2-21
REACH SVHC	Not Contained per D(2023)3788-DC (14 Jun 2023)
EU RoHS	Compliant per EU 2015/863

[Multiple Part Product Compliance Statements](#)

- Eu RoHS
- REACH SVHC
- Low-Halogen

[Multiple Part Industry Compliance Documents](#)

- IPC 1752A Class C
- IPC 1752A Class D
- Molex Product Compliance Declaration

- IEC-62474

- chemSHERPA (xml)

EU RoHS Certificate of Compliance

Part Details

General

Status	Active
Category	Backplane Connectors
Series	75198
Description	VHDM L-Series Single-Ended Backplane Header, 2.00mm Pitch, Guide Pin Signal Module, Pin End Version, 8 Rows, 200 Circuits, 25 Columns, Pin Length 4.75m, Lead-Free
Application	Backplane
Comments	No Keying Position
Component Type	PCB Header
Product Family	VHDM L-Series Backplane Connectors
Product Name	VHDM L-Series
UPC	822348810369

Electrical

Current - Maximum per Contact	3.0A
Data Rate	622.0 Mbps
Shielded	No
Voltage - Maximum	120V AC (RMS)/DC

Physical

Circuits (Loaded)	200
Circuits (maximum)	200
Color - Resin	Black
Durability (mating cycles max)	200
First Mate / Last Break	No
Guide to Mating Part	Yes
Keying to Mating Part	None

Material - Metal	High Performance Alloy (HPA), Stainless Steel
Material - Plating Mating	Gold
Material - Plating Termination	Tin
Material - Resin	High Temperature Thermoplastic
Net Weight	10.694/g
Number of Columns	25
Number of Pairs	Open Pin Field
Number of Rows	8
Orientation	Vertical
Packaging Type	Tube
PC Tail Length	2.50mm
PCB Locator	No
PCB Retention	Yes
PCB Thickness - Recommended	1.80mm
Pitch - Mating Interface	2.00mm
Pitch - Termination Interface	2.00mm
Plating min - Mating	0.762µm
Plating min - Termination	0.762µm
Polarized to PCB	No
Temperature Range - Operating	105°C
Termination Interface Style	Through Hole - Compliant Pin

Use with Part(s)

Description	Part Number
Use With	Daughtercard Modules

Application Tooling

Global

Description	Part Number
Signal Pin Inserter Repair Tool	<u>0622015700</u>