

PRODUKTINFORMATION

Vi reserverar oss mot fel samt förbehåller oss rätten till ändringar utan föregående meddelande

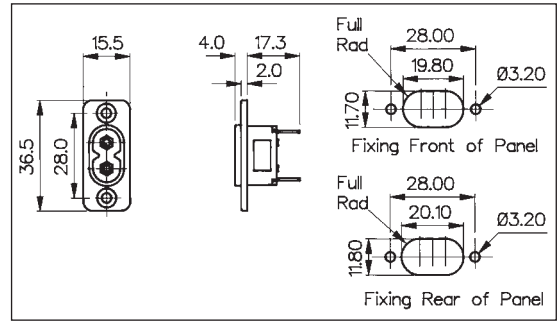
ELFA artikelnr

43-204-04 Hylspropp T65 rak	PX0587
43-204-12 Hylspropp T65 vinklad	PX0587/SE
43-205-03 Stiftpropp T65 rak	PX0686
43-205-11 Stiftpropp T65 vinkl	PX0686/SE
43-209-25 Apparatint m säkr hållare	PF 0011/15/63
43-209-33 Apparatint m säkr hållare	PF 0011/20/63
43-209-41 Apparatint m säkr hållare	PF 0011/20/48
43-209-82 Apparatintag 2,5A	PX0785/28
43-210-22 Apparatuttag T65 2mm	PX 0695/20/63
43-210-48 Apparatint f PC-montage	PX 0580/PC/7LC
43-210-89 Apparatint m säkr hållare	PF 0001/63
43-211-05 App.intag fläns skruvterm	PX 0580/TERM
43-211-13 App.int fläns flatst 6,3	PX 0580/63
43-211-39 App.int fläns flatst 4,8	PX 0580/48
43-211-70 Apparatuttag T65 1mm	PX 0695/10/63
43-211-96 Apparatuttag fläns T65	PX0675/63
43-212-04 Låsbygel för hylspropp	KT0006
43-213-45 Hylspropp rak 120gr	PX0597
43-214-02 App.int utan jord snäppin	PX 0691/20/63
43-214-10 Apparatintag T120 fläns	PX0590/63
43-214-28 Apparatintag T120 snäpp	PX0595/20/63
43-215-01 App.int utan jord m fläns	PX 0690/63
43-223-01 App.int. dubbelsäkr. PC	PF 0030/PC
43-223-19 App.int. dubbelsäk. fläns	PF 0030/28
43-223-27 App.int. dubbelsäk. fläns	PF 0030/63
43-223-35 App.int. dubbelsäk pan1,5	PF 0033/15/63
43-223-43 App.int. dubbelsäk pan2,0	PF 0033/20/63
43-223-50 App.int. dubbelsäk pan3,0	PF 0033/30/63
43-224-00 Apparatuttag T65, 2-vägs	PX0714/2/15/28
43-224-18 Apparatuttag T65, 4-vägs	PX0714/4/15/28

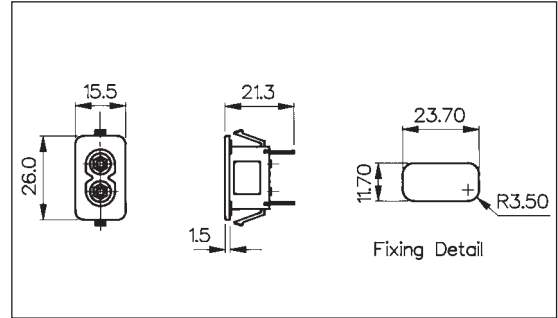
EN60 320-1 (Standard Sheet C8 Class II) Cold Condition



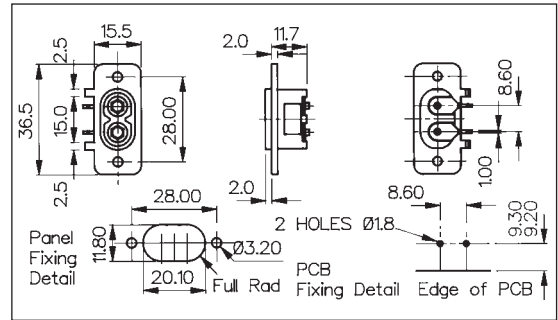
- Flange Panel Mount Inlet
- Figure of Eight
- 2.8mm Solder Tabs
- 2.5A, 250V a.c.



- Snap Fit to Panel Inlet
- Figure of Eight
- Fits Panel sizes 1, 1.5 or 2mm
- 2.8mm Solder Tabs
- 2.5A, 250V a.c.



- PCB Flange Panel Mount Inlet
- Figure of Eight
- PC Spills
- 2.5A, 250V a.c.
- PCB Location Clips

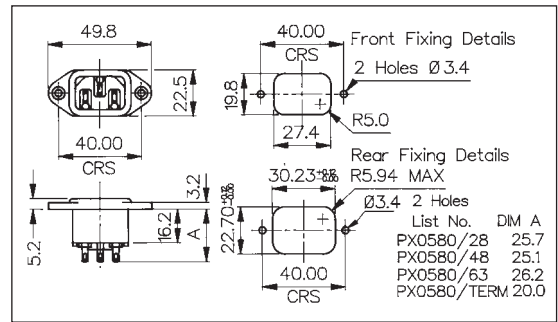


Specification	PX0784/28	PX0785/28	PX0786/PC
Fixing:	Flange	Snap Fit, 1mm, 1.5mm, 2mm	PCB/Flange
Terminations:	/28 (2.8mm solder)	/28 (2.8mm solder)	P.C. Spills
Max. Rating:	2.5A, 250V a.c.	2.5A, 250V a.c.	2.5A, 250V a.c.
Contact Resistance:	<10mΩ	<10mΩ	<10mΩ
Insulation Resistance:	>10 ⁵ MΩ @ 500V d.c.	>10 ⁵ MΩ @ 500V d.c.	>10 ⁵ MΩ @ 500V d.c.
A.C. Breakdown:	4kV	4kV	4kV
Operating Temp. Range:	-40°C to +70°C	-40°C to +70°C	-40°C to +70°C
Max. Pin Temp.:	+70°C	+70°C	+70°C
Mouldings:	Nylon, Flammability Rating UL 94V-0	Nylon, Flammability Rating UL 94V-0	Nylon, Flammability Rating UL 94V-0
Contacts:	Brass: Pins, Nickel Plated. Tabs, Tin Plated	Brass: Pins, Nickel Plated. Tabs, Tin Plated	Brass: Pins, Nickel Plated. Tabs, Tin Plated
Approvals:			
Accessories / Notes:			
Mating Connectors:			

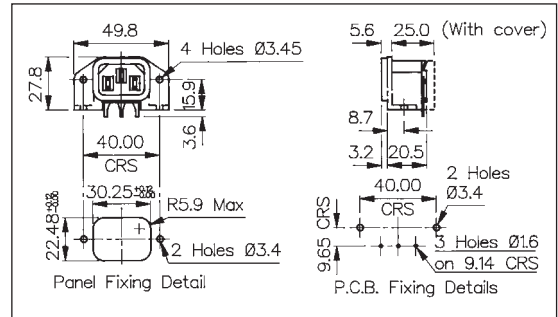
EN60 320-1 (Standard Sheet C14 Class I) Cold Condition



- Flange Mount Inlet
- 2.8, 4.8, 6.3mm Tabs or Screw Terminals
- 10A, 250V a.c. (15A, 250V a.c. UL & CSA)



- PC Flange Rear Mount Inlet
- With or Without Rear Cover
- PC Spills
- 10A, 250V a.c. (15A, 250V a.c. UL & CSA)

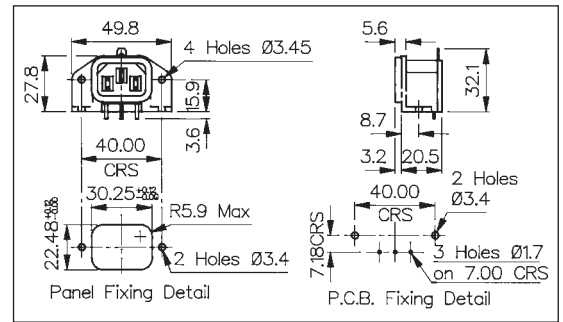


Specification	PX0580/Termination	PX0580/PC
Fixing:	Flange	P.C.B./Flange
Terminations:	/28 (2.8mm solder), /48 (4.8mm tab) /63 (6.3mm tab), /TERM (screw)	P.C. Spills
Max. Rating:	10A, 250V a.c. (UL & CSA 15A, 250V a.c.)	10A, 250V a.c. (UL & CSA 15A, 250V a.c.)
Contact Resistance:	<10mΩ	<10mΩ
Insulation Resistance:	>10 ⁹ MΩ	>10 ⁹ MΩ
A.C. Breakdown:	Pole-Pole 5kV. Poles-Panel 10kV	Pole-Pole 5.4kV. Poles-Panel 10kV
Operating Temp. Range:	-40°C to +70°C	-40°C to +70°C
Max. Pin Temp.:	+70°C	+70°C
Mouldings:	Nylon, Flammability Rating UL 94V-0	Nylon, Flammability Rating UL 94V-0
Contacts:	Brass: Pins, Nickel Plated. Tabs, Tin Plated, Screw Terms, Nickel Plated	Brass: Pins, Nickel Plated. Spills, Tin Plated
Approvals:		
Accessories / Notes:	P.No. 11328, KT0006 (PX0587 & PZ0100 only) (See Page 48)	Standard without cover. With cover add /12132 to P.No.
Mating Connectors:	PX0587, PX0587/SE, PX0588 PZ0100, PZ0200	PX0587, PX0587/SE, PX0588 PZ0100, PZ0200

EN60 320-1 (Standard Sheet C14 Class I) Cold Condition



- PC Flange Rear Mount Inlet
- With or Without Cover
- PC Spills
- 4.8mm Top Tab (earth)
- 10A, 250V a.c. (15A, 250V a.c. UL & CSA)



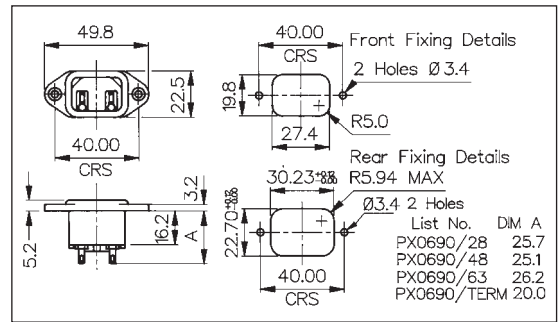
Specification	PX0580/PC/7
Fixing:	P.C.B./Flange
Terminations:	P.C. Spills
Max. Rating:	10A, 250V a.c. (UL & CSA 15A, 250V a.c.)
Contact Resistance:	<10mΩ
Insulation Resistance:	>10 ³ MΩ
A.C. Breakdown:	Pole-Pole 4kV. Poles-Panel 6kV
Operating Temp. Range:	-40°C to +70°C
Max. Pin Temp.:	+70°C
Mouldings:	Nylon, Flammability Rating UL 94V-0
Contacts:	Brass: Pins, Nickel Plated. Spills, Tin Plated
Approvals:	
Accessories / Notes:	Standard with cover. Without cover add LC to P.No.
Mating Connectors:	PX0587, PX0587/SE, PX0588 PZ0100, PZ0200

EN60 320-1 (Standard Sheet C18 Class II) Cold Condition



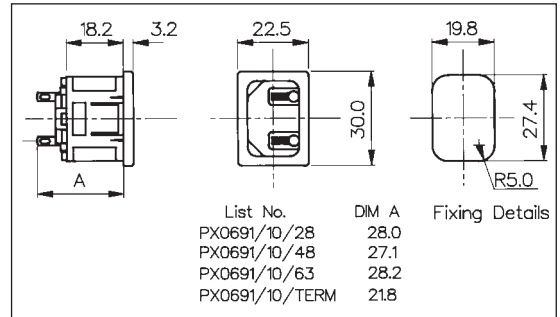
PX0690/28

- Flange Mount Inlet
- Two Pin Class II (No Earth Pin)
- 2.8, 4.8, 6.3mm Tabs or Screw Terminals
- 10A, 250V a.c. (15A, 250V a.c. UL & CSA)



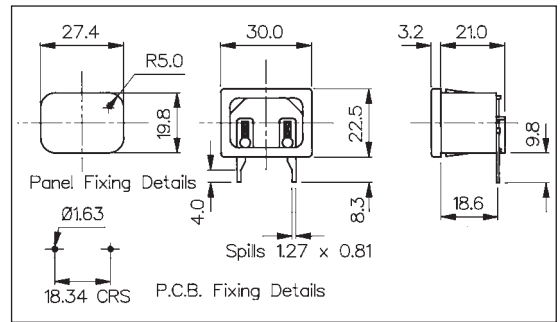
PX0691/10/28

- Snap Fit to Panel Inlet
- Two Pin Class II (No Earth Pin)
- Panel Sizes 1, 1.5, 2.0 or 3.0mm
- 2.8, 4.8, 6.3mm Tabs or Screw Terminals
- 10A, 250V a.c. (15A, 250V a.c. UL & CSA)



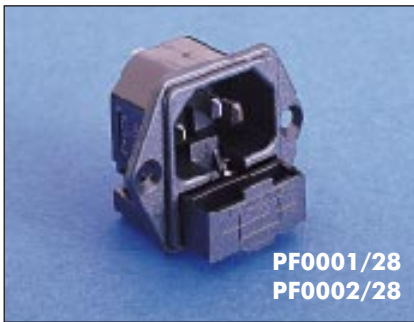
PX0691/10/PC

- PC Snap Fit to Panel Inlet
- Two Pin Class II (No Earth Pin)
- Panel Sizes 1, 1.5, 2.0 or 3.0mm
- PC Spills
- 10A, 250V a.c. (15A, 250V a.c. UL & CSA)

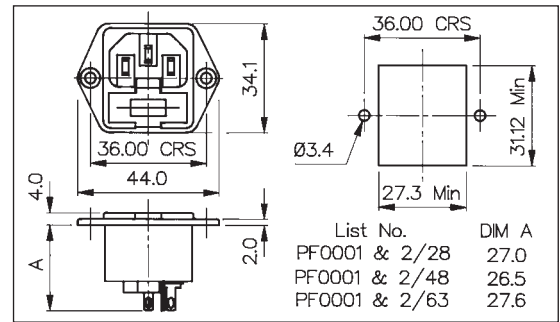


Specification	PX0690/Termination	PX0691/Panel/Termination	PX0691/Panel/PC
Fixing(Panel):	Flange	Snap fit, /10 (1mm), /15 (1.5mm), /20 (2mm), /30 (3mm)	Snap fit, /10 (1mm), /15 (1.5mm), /20 (2mm), /30 (3mm)
Terminations:	/28 (2.8mm solder), /48 (4.8mm tab) /63 (6.3mm tab), /TERM (screw)	/28 (2.8mm solder), /48 (4.8mm tab) /63 (6.3mm tab), /TERM (screw)	P.C. Spills
Max. Rating:	10A, 250V a.c. (UL & CSA 15A, 250V a.c.)	10A, 250V a.c. (UL & CSA 15A, 250V a.c.)	10A, 250V a.c. (UL & CSA 15A, 250V a.c.)
Contact Resistance:	<10mΩ	<10mΩ	<10mΩ
Insulation Resistance:	>10 ⁹ MΩ	>10 ⁹ MΩ	>10 ⁹ MΩ
A.C. Breakdown:	Pole-Pole 5kV. Poles-Panel 10kV	Pole-Pole 5kV. Poles-Panel 5.4kV	Pole-Pole 5kV. Poles-Panel 5.4kV
Operating Temp. Range:	-40°C to +70°C	-40°C to +70°C	-40°C to +70°C
Max. Pin Temp.:	+70°C	+70°C	+70°C
Mouldings:	Nylon, Flammability Rating UL 94V-0	Nylon, Flammability Rating UL 94V-0	Nylon, Flammability Rating UL 94V-0
Contacts:	Brass: Pins, Nickel Plated. Tabs, Tin Plated, Screw Terms, Nickel Plated	Brass: Pins, Nickel Plated. Tabs, Tin Plated, Screw Terms, Nickel Plated	Brass: Pins, Nickel Plated. Spills, Tin Plated
Approvals:			
Accessories / Notes:	P.No. 11328 (See Page 48)	P.No. 11328 (See Page 48)	Standard without cover. With cover add /C to P.No.
Mating Connectors:			

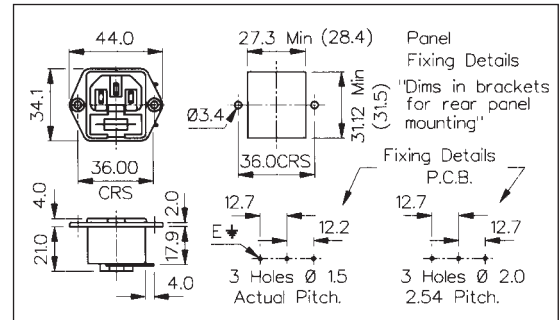
EN60 320-1 (Standard Sheet C14 Class I) Cold Condition



- Flange Mount Fused Inlet
- Single Fuse 5 x 20mm
- Spare Fuse Facility
- 2.8, 4.8 or 6.3mm Tabs
- 10A, 250V a.c.



- PC Flange Mount Fused Inlet
- Single Fuse 5 x 20mm
- Spare Fuse Facility
- PC Spills
- 10A, 250V a.c.

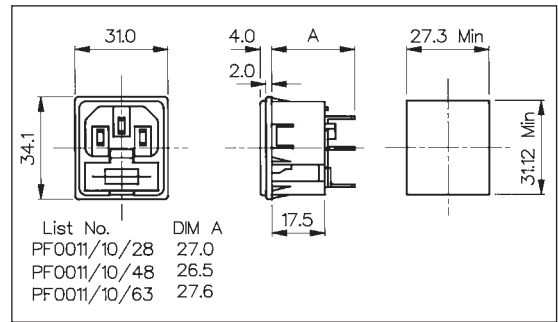


Specification	PF0001/Termination	PF0001/PC	PF0002/Termination
Fixing:	Flange	P.C.B./Flange	Flange
Terminations:	/28 (2.8mm solder), /48 (4.8mm tab) /63 (6.3mm tab)	P.C. Spills	/28 (2.8mm solder), /48 (4.8mm tab) /63 (6.3mm tab)
Max. Rating:	10A, 250V a.c.	10A, 250V a.c.	10A, 250V a.c.
Contact Resistance:	<10mΩ (<15mΩ including Fuseholder)	<10mΩ (<15mΩ including Fuseholder)	<10mΩ (<15mΩ including Fuseholder)
Insulation Resistance:	>10 ³ MΩ	>10 ³ MΩ	>10 ³ MΩ
A.C. Breakdown:	Pole-Pole 5.5kV. Poles-Panel 4kV	Pole-Pole 5.5kV. Poles-Panel 4kV	Pole-Pole 5.5kV. Poles-Panel 4kV
Operating Temp. Range:	-40°C to +70°C	-40°C to +70°C	-40°C to +70°C
Max. Pin Temp.:	+70°C	+70°C	+70°C
Mouldings:	Nylon, Flammability Rating UL 94V-0	Nylon, Flammability Rating UL 94V-0	Nylon, Flammability Rating UL 94V-0
Contacts:	Brass: Pins, Nickel Plated. Tabs, Tin Plated	Brass: Pins, Nickel Plated. Tabs, Tin Plated	Brass: Pins, Nickel Plated. Tabs, Tin Plated
Approvals:			
Accessories / Notes:	P.No. 11987, KT0009 (See Page 48)	KT0009 (front of panel mounting only) (See Page 48)	P.No. 11987, KT0009 (See Page 48) (Note: Fuse contact isolated)
Mating Connectors:	PX0587, PX0587/SE, PX0588, PZ0100, PZ0200	PX0587, PX0587/SE, PX0588, PZ0100, PZ0200	PX0587, PX0587/SE, PX0588, PZ0100, PZ0200

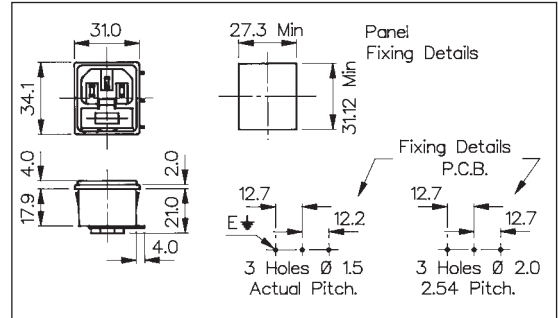
EN60 320-1 (Standard Sheet C14 Class I) Cold Condition



- Snap Fit to Panel Fused Inlet
- Single Fuse 5 x 20mm
- Spare Fuse Facility
- Panel Sizes 1, 1.5, 2.0 or 3.0mm
- 2.8, 4.8 or 6.3mm Tabs
- 10A, 250V a.c.



- PC Snap Fit to Panel Fused Inlet
- Single Fuse 5 x 20mm
- Spare Fuse Facility
- Panel Sizes 1, 1.5, 2.0 or 3.0mm
- PC Spills
- 10A, 250V a.c.

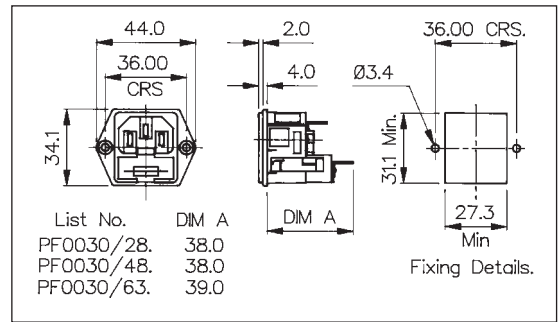


Specification	PF0011/Panel/Termination	PF0011/Panel/PC
Fixing(Panel):	Snap fit, /10 (1mm), /15 (1.5mm), /20 (2mm), /30 (3mm)	Snap fit, /10 (1mm), /15 (1.5mm), /20 (2mm), /30 (3mm)
Terminations:	/28 (2.8mm solder), /48 (4.8mm tab) /63 (6.3mm tab)	P.C. Spills
Max. Rating:	10A, 250V a.c.	10A, 250V a.c.
Contact Resistance:	<10mΩ (<15mΩ including Fuseholder)	<10mΩ (<15mΩ including Fuseholder)
Insulation Resistance:	>10 ⁹ MΩ	>10 ⁹ MΩ
A.C. Breakdown:	Pole-Pole 5.5kV. Poles-Panel 4kV	Pole-Pole 5.5kV. Poles-Panel 4kV
Operating Temp. Range:	-40°C to +70°C	-40°C to +70°C
Max. Pin Temp.:	+70°C	+70°C
Mouldings:	Nylon, Flammability Rating UL 94V-0	Nylon, Flammability Rating UL 94V-0
Contacts:	Brass: Pins, Nickel Plated. Tabs, Tin Plated	Brass: Pins, Nickel Plated. Spills, Tin Plated
Approvals:		
Accessories / Notes:	P.No. 11987 (See Page 48)	
Mating Connectors:	PX0587, PX0587/SE, PX0588, PZ0100, PZ0200	PX0587, PX0587/SE, PX0588, PZ0100, PZ0200

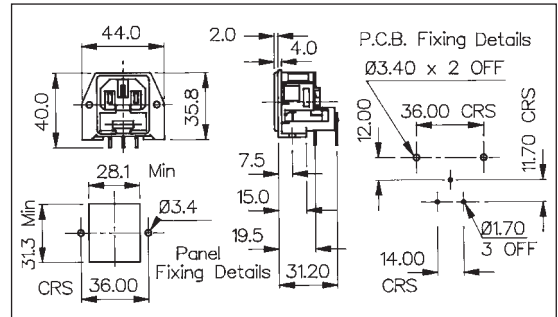
EN60 320-1 (Standard Sheet C14 Class I) Cold Condition (Fused, Twin)



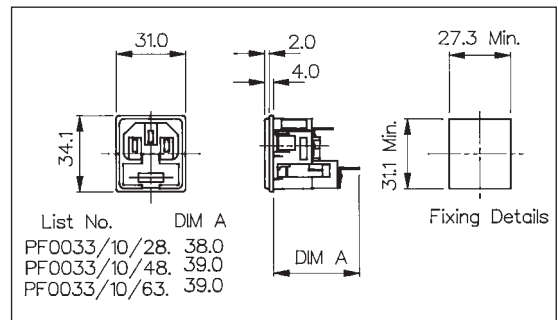
- Flange Mount Fused Inlet
- Twin Fused 5 x 20mm
- 2.8, 4.8 or 6.3mm Tabs
- 10A, 250V a.c.



- PC Flange Mount Fused Inlet
- Twin Fused 5 x 20mm
- PC Spills
- 10A, 250V a.c.



- Snap Fit to Panel Fused Inlet
- Twin Fused 5 x 20mm
- Fits Panel Sizes 1.0, 1.5, 2.0 or 3.0mm
- 2.8, 4.8 or 6.3mm Tabs
- 10A, 250V a.c.



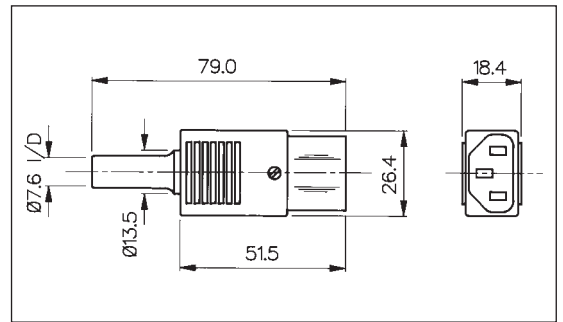
Specification	PF0030/Termination	PF0030/PC	PF0033/Panel/Termination
Fixing (Panel):	Flange	P.C.B./Flange	Snap fit, /10 (1mm), /15 (1.5mm), /20 (2mm), /30 (3mm)
Terminations:	/28 (2.8mm solder), /48 (4.8mm tab) /63 (6.3mm tab)	P.C. Spills	/28 (2.8mm solder), /48 (4.8mm tab) /63 (6.3mm tab)
Max. Rating:	10A, 250V a.c.	10A, 250V a.c.	10A, 250V a.c.
Contact Resistance:	<15mΩ (per pole)	<15mΩ (per pole)	<15mΩ (per pole)
Insulation Resistance:	>10 ⁴ MΩ	>10 ⁴ MΩ	>10 ⁴ MΩ
A.C. Breakdown:	Pole-Pole 6kV. Poles-Panel 5kV	Pole-Pole 6kV. Poles-Panel 5kV	Pole-Pole 6kV. Poles-Panel 5kV
Max. Dissipation Per Fuse:	2.5W	2.5W	2.5W
Operating Temp. Range:	-20°C to +70°C	-20°C to +70°C	-20°C to +70°C
Max. Pin Temp.:	+70°C	+70°C	+70°C
Mouldings:	Nylon, Flammability Rating UL 94V-0	Nylon, Flammability Rating UL 94V-0	Nylon, Flammability Rating UL 94V-0
Contacts:	Brass: Pins, Nickel Plated. Tabs, Tin Plated	Brass: Pins, Nickel Plated. Tabs, Tin Plated	Brass: Pins, Nickel Plated. Tabs, Tin Plated
Approvals:			
Accessories / Notes:	KT0009 (See Page 48)		
Mating Connectors:	PX0587, PX0587/SE, PX0588, PZ0100, PZ0200	PX0587, PX0587/SE, PX0588, PZ0100, PZ0200	PX0587, PX0587/SE, PX0588, PZ0100, PZ0200

EN60 320-1 (Standard Sheet C13 Class I) Rewirable Cold Condition



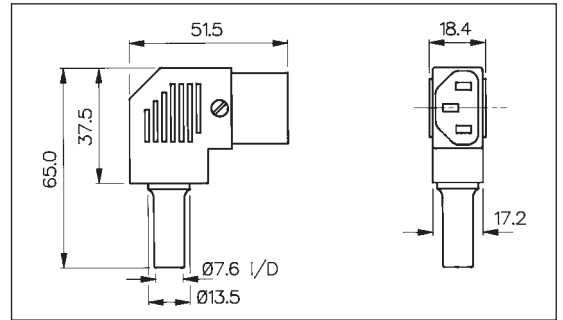
PX0587

- Straight Female Connector
- Cable Mounting
- Rewirable
- Screw Terminals
- 10A, 250V a.c.



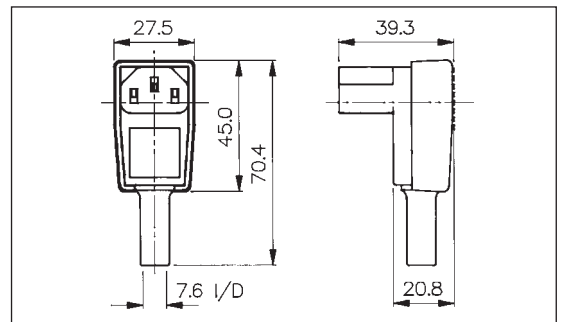
PX0587/SE

- Side Entry Female Connector
- Cable Mounting
- Rewirable
- Screw Terminals
- 10A, 250V a.c.



PX0588

- Angled Female Connector
- Cable Mounting
- Rewirable
- Screw Terminals
- 10A, 250V a.c.

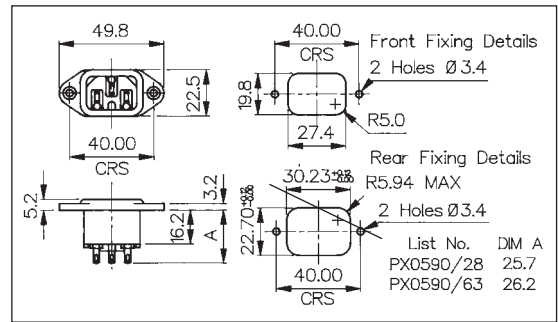


Specification	PX0587	PX0587/SE	PX0588
Terminations:	Screw Terminals	Screw Terminals	Screw Terminals
Max. Rating:	10A, 250V a.c.	10A, 250V a.c.	10A, 250V a.c.
Contact Resistance:	<10mΩ	<10mΩ	<10mΩ
Insulation Resistance:	>10 ⁹ MΩ	>10 ⁹ MΩ	>10 ⁹ MΩ
A.C. Breakdown:	Pole-Pole 4.5kV. Poles-Accessible Parts 4kV	Pole-Pole 4.5kV. Poles-Accessible Parts 4kV	Pole-Pole 5kV. Poles-Accessible Parts 3.5kV
Operating Temp. Range:	-40°C to +70°C	-40°C to +70°C	-40°C to +70°C
Withdrawal Force:	10N (Min.) 50N (Max.)	10N (Min.) 50N (Max.)	10N (Min.) 50N (Max.)
Mouldings:	Nylon, Flammability Rating UL 94V-0	Nylon, Flammability Rating UL 94V-0	Nylon, Flammability Rating UL 94V-0
Contacts:	Brass, Clean	Brass, Clean	Brass, Nickel Plated
Approvals:			
Accessories / Notes:			
Mating Connectors:	PX0575, PX0579, PX0580, PF0001, PF0011, PF0030, PF0033	PX0575, PX0579, PX0580, PF0001, PF0011, PF0030, PF0033	PX0575, PX0579, PX0580, PF0001, PF0011, PF0030, PF0033

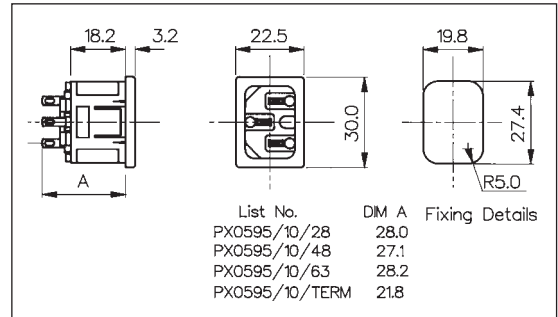
EN60 320-1 (Standard Sheet C16 Class I) & (Standard Sheet C15 Class I) Hot Condition



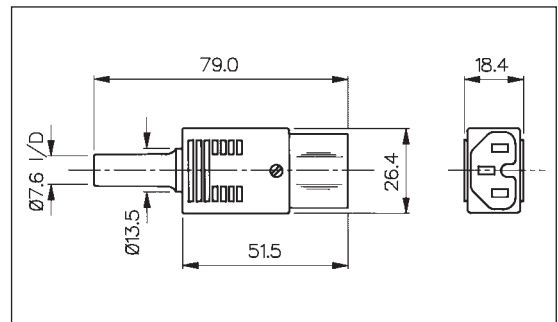
- Flange Mount Inlet
- Hot Condition
- 2.8 or 6.3mm Tabs
- 10A, 250V a.c. (15A, 250V a.c. UL & CSA)



- Snap Fit to Panel Inlet
- Hot Condition
- Panel Sizes 1, 1.5, 2.0 or 3.0mm
- 2.8, 4.8, 6.3mm Tabs or Screw Terminals
- 10A, 250V a.c. (15A, 250V a.c. UL & CSA)

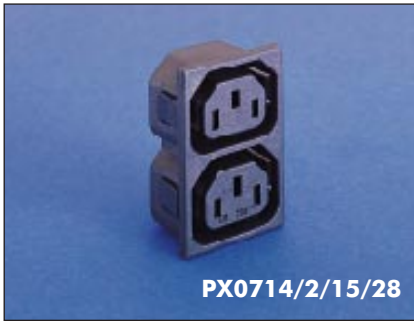


- Straight Female Connector
- Cable Mounting
- Hot Condition
- Mates with PX0590 and PX0595
- Screw Terminals
- 10A, 250V a.c.

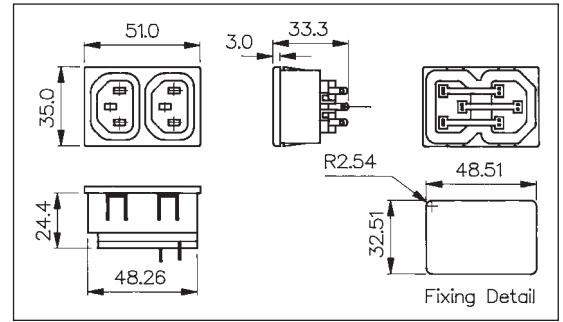


Specification	PX0590/Termination	PX0595/Panel/Termination	PX0597
Fixing (Panel):	Flange	Snap fit, /10 (1mm), /15 (1.5mm), /20 (2mm), /30 (3mm)	
Terminations:	/28 (2.8mm solder), /63 (6.3mm tab)	/28 (2.8mm solder), /48 (4.8mm tab) /63 (6.3mm tab), /TERM (screw)	Screw Terminals
Max. Rating:	10A, 250V a.c. (UL & CSA 15A, 250V a.c.)	10A, 250V a.c. (UL & CSA 15A, 250V a.c.)	10A, 250V a.c.
Contact Resistance:	<10m Ω	<10m Ω	<10m Ω
Insulation Resistance:	>10 ⁹ M Ω	>10 ⁹ M Ω	>10 ⁹ M Ω
A.C. Breakdown:	Pole-Pole 5kV. Poles-Panel 10kV	Pole-Pole 5kV. Poles-Panel 5.4kV	Pole-Pole 4.5kV. Poles-Accessible Parts 4kV
Operating Temp. Range:	-40°C to +70°C	-40°C to +70°C	-40°C to +70°C
Max. Pin Temp.:	+120°C	+120°C	
Withdrawal Force:			10N (Min.) 50N (Max.)
Mouldings:	Nylon, Flammability Rating UL 94V-0	Nylon, Flammability Rating UL 94V-0	Nylon, Flammability Rating UL 94V-0
Contacts:	Brass, Nickel Plated. Tabs, Tin Plated	Brass, Nickel Plated. Tabs, Tin Plated	Brass, Clean
Approvals:			
Accessories / Notes:	P.No. 11328, KT0006 (See page 48)	P.No. 11328 (See page 48)	
Mating Connectors:	PX0597	PX0597	PX0590, PX0595

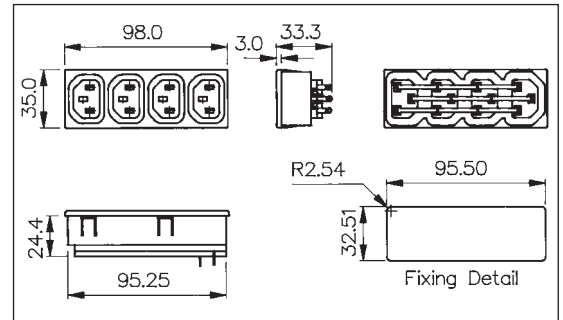
EN60 320-2-2 (Standard Sheet F Class I)



- Snap Fit to Panel Two Way Outlet
- Panel Size 1.5mm
- 2.8mm Solder Tabs
- 10A, 250V a.c.



- Snap Fit to Panel Four Way Outlet
- Panel Size 1.5mm
- 2.8mm Solder Tabs
- 10A, 250V a.c.

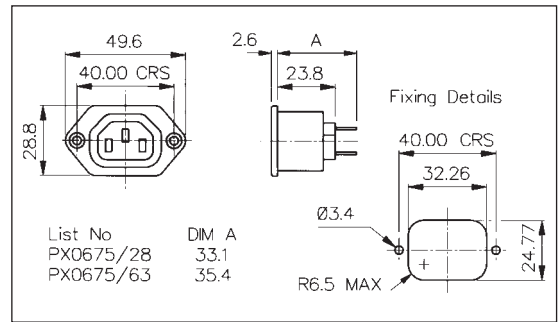


Specification	PX0714/2/15/28	PX0714/4/15/28
Fixing:	Snap fit /15 (1.5mm)	Snap fit /15 (1.5mm)
Terminations:	/28 (2.8mm solder)	/28 (2.8mm solder)
Max. Rating:	10A, 250V a.c.	10A, 250V a.c.
Operating Temp. Range:	-20°C to +70°C	-20°C to +70°C
Mouldings:	Nylon, Flammability Rating UL 94V-0	Nylon, Flammability Rating UL 94V-0
Contacts & Busbar:	Plated Copper Alloy	Plated Copper Alloy
Approvals:		
Mates with:	PX0685, PX0686, PX0686/SE, PZ0500, PZ0600	PX0685, PX0686, PX0686/SE, PZ0500, PZ0600

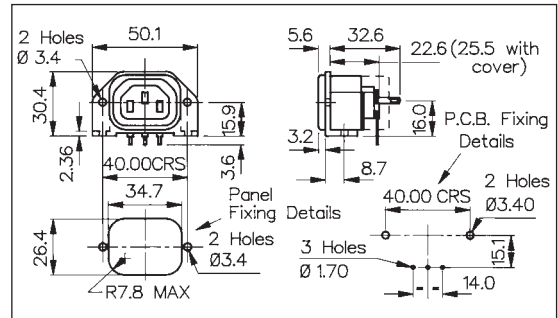
EN60 320-2-2 (Standard Sheet F Class I)



- Flange Mount Outlet
- 2.8mm or 6.3mm Tabs
- 10A, 250V a.c.
(15A, 250V a.c. UL & CSA)



- PC Flange Rear Mount Outlet
- PC Spills
- 10A, 250V a.c.
(15A, 250V a.c. UL & CSA)

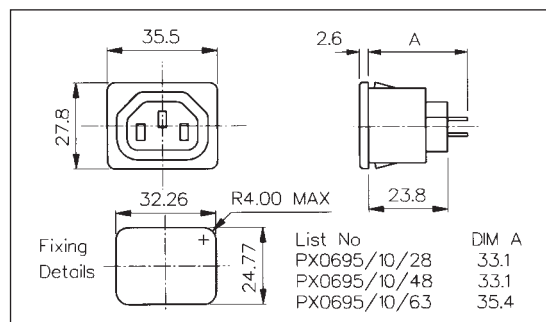


Specification	PX0675/Termination	PX0675/PC
Fixing:	Flange	P.C.B./Flange
Terminations:	/28 (2.8mm solder), /63 (6.3mm tab)	P.C. Spills
Max. Rating:	10A, 250V a.c. (UL & CSA 15A, 250V a.c.)	10A, 250V a.c. (UL & CSA 15A, 250V a.c.)
Contact Resistance:	<10mΩ	<10mΩ
Insulation Resistance:	>10 ⁴ MΩ	>10 ⁴ MΩ
A.C. Breakdown:	Pole-Pole 7kV. Poles-Panel 9kV	Pole-Pole 4kV. Poles-Panel 9kV
Operating Temp. Range:	-40°C to +70°C	-40°C to +70°C
Mouldings:	Nylon, Flammability Rating UL 94V-0	Nylon, Flammability Rating UL 94V-0
Contacts:	Brass, Tin Plated	Brass, Tin Plated
Approvals:		
Accessories / Notes:	P.No. 12075, KT0006 (See Page 48)	Standard without cover. With cover add /12599 to P.No.
Mates with:	PX0685, PX0686, PX0686/SE, PZ0500, PZ0600	PX0685, PX0686, PX0686/SE, PZ0500, PZ0600

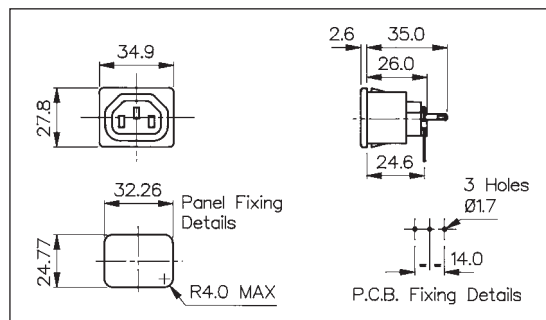
EN60 320-2-2 (Standard Sheet F Class I)



- Snap Fit to Panel Outlet
- Panel Sizes 1, 1.5, 2.0 or 3.0mm
- 2.8 or 6.3mm Tabs
- 10A, 250V a.c. (15A, 250V a.c. UL & CSA)



- PC Snap Fit to Panel Outlet
- Panel Sizes 1, 1.5, 2.0 or 3.0mm
- PC Spills
- 10A, 250V a.c. (15A, 250V a.c. UL & CSA)

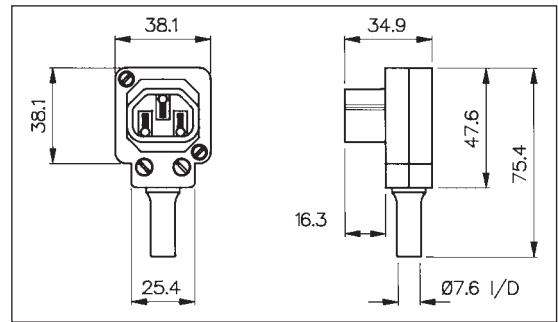


Specification	PX0695/Panel/Termination	PX0695/Panel/PC
Fixing:	Snap fit, /10 (1mm), /15 (1.5mm), /20 (2mm), /30 (3mm)	Snap fit, /10 (1mm), /15 (1.5mm), /20 (2mm), /30 (3mm)
Terminations:	/28 (2.8mm solder), /63 (6.3mm tab)	PC. Spills
Max. Rating:	10A, 250V a.c. (UL & CSA 15A, 250V a.c.)	10A, 250V a.c. (UL & CSA 15A, 250V a.c.)
Contact Resistance:	<10mΩ	<10mΩ
Insulation Resistance:	>10 ⁴ MΩ	>10 ⁴ MΩ
A.C. Breakdown:	Pole-Pole 7kV. Poles-Panel 9kV	Pole-Pole 4kV. Poles-Panel 9kV
Operating Temp. Range:	-40°C to +70°C	-40°C to +70°C
Mouldings:	Nylon, Flammability Rating UL 94V-0	Nylon, Flammability Rating UL 94V-0
Contacts:	Brass, Tin Plated	Brass, Tin Plated
Approvals:		
Accessories / Notes:	PNo. 12075 (See Page 48)	
Mates with:	PX0685, PX0686, PX0686/SE, PZ0500. PZ0600	PX0685, PX0686, PX0686/SE, PZ0500, PZ0600

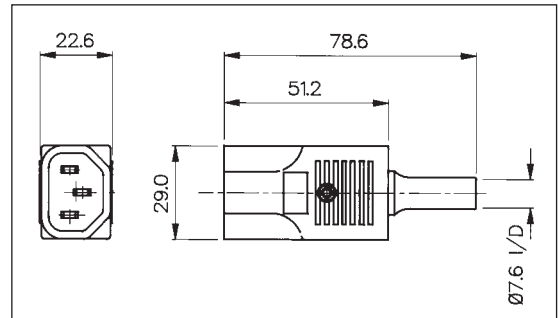
EN60 320-2-2 (Standard Sheet E Class I) Rewirable



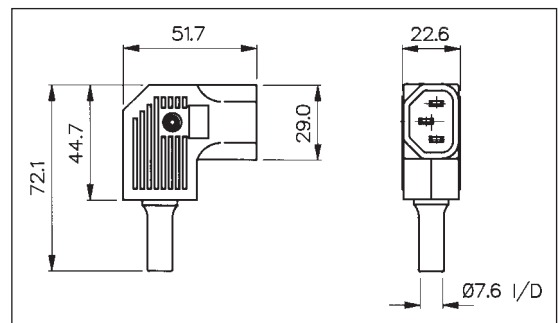
- Angled Male Connector
- Cable Mounting
- Four Position Cable Entry
- Rewirable
- Screw Terminals
- 10A, 250V a.c.



- Straight Male Connector
- Cable Mounting
- Rewirable
- Screw Terminals
- 10A, 250V a.c.



- Side Entry Male Connector
- Cable Mounting
- Rewirable
- Screw Terminals
- 10A, 250V a.c.

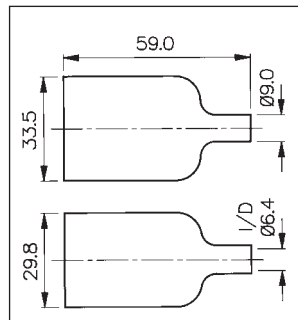
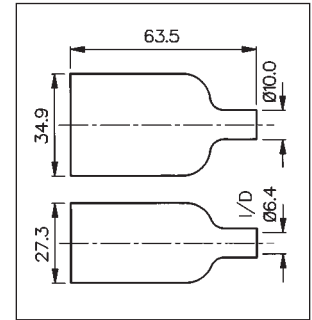
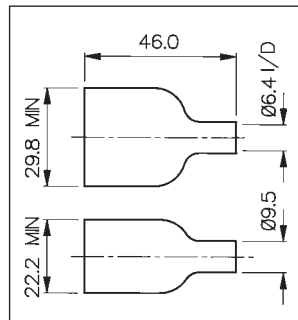
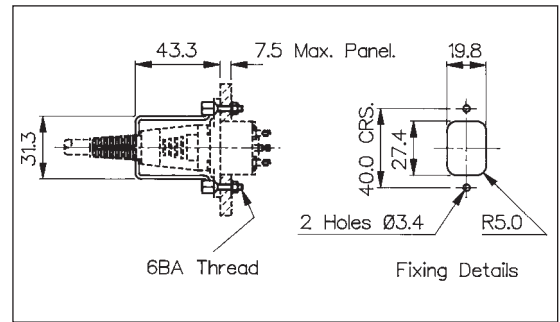


Specification	PX0685	PX0686	PX0686/SE
Terminations:	Screw Terminals	Screw Terminals	Screw Terminals
Max. Rating:	10A, 250V a.c.	10A, 250V a.c.	10A, 250V a.c.
Contact Resistance:	<10mΩ	<10mΩ	<10mΩ
Insulation Resistance:	>10 ⁴ MΩ	>10 ⁴ MΩ	>10 ⁴ MΩ
A.C. Breakdown:	Pole-Pole 5.2kV. Poles-Accessible Parts 6kV	Pole-Pole 5kV. Poles-Accessible Parts 5kV	Pole-Pole 5kV. Poles-Accessible Parts 5kV
Operating Temp. Range:	-40°C to +70°C	-40°C to +70°C	-40°C to +70°C
Withdrawal Force:	10N (Min.) 50N (Max.)	10N (Min.) 50N (Max.)	10N (Min.) 50N (Max.)
Mouldings:	Nylon, Flammability Rating UL 94V-0	Nylon, Flammability Rating UL 94V-0	Nylon, Flammability Rating UL 94V-0
Contacts:	Brass, Nickel Plated.	Brass, Nickel Plated.	Brass, Nickel Plated.
Approvals:			
Accessories / Notes:	Unique octagon module allows choice of 4 cable positions		
Mating Connectors:	PX0675, PX0695, PX0783, PX0793	PX0675, PX0695, PX0783, PX0793, PX0714	PX0675, PX0695, PX0783, PX0793, PX0714

Accessories



- Retaining Clip
- Prevents Accidental Removal
- Two Types Available



- PVC Boots
- Protects Rear of Connector
- Protects Against Accidental Electric Shock

Specification	KT0006, KT0009	PNo. 11328	PNo. 11987	PNo. 12075
	Retaining Clips to prevent accidental removal of connector. KT0006 for PX0580, PX0590, PX0675, PX0793, PXS580, PXT580 KT0009 for PF0001, PF0001/PC, PF0002, PF0030	Insulation boot for PX0575, PX0579, PX0580, PX0590, PX0595, PXS575, PXS579, PXS580, PXT575, PXT579, PXT580 (except PC Versions)	Insulation boot for PF range (except /PC versions and PF0030, PF0033)	Insulation boot for PX0675, PX0695, PX0783, PX0793 (except /PC versions)
Operating Temp. Range:		-20°C to +60°C	-20°C to +60°C	-20°C to +60°C
Max. Working Voltage:		250V a.c.	250V a.c.	250V a.c.
Flash Tested:		2kV a.c.	2kV a.c.	2kV a.c.
Material:	Clip: Stainless Steel, all other parts Brass, Nickel Plated	P.V.C., Flammability Rating UL94V-0	P.V.C., Flammability Rating UL94V-0	P.V.C., Flammability Rating UL94V-0