

Bracket for Installation Buzzer 109/110

(provisional data sheet)

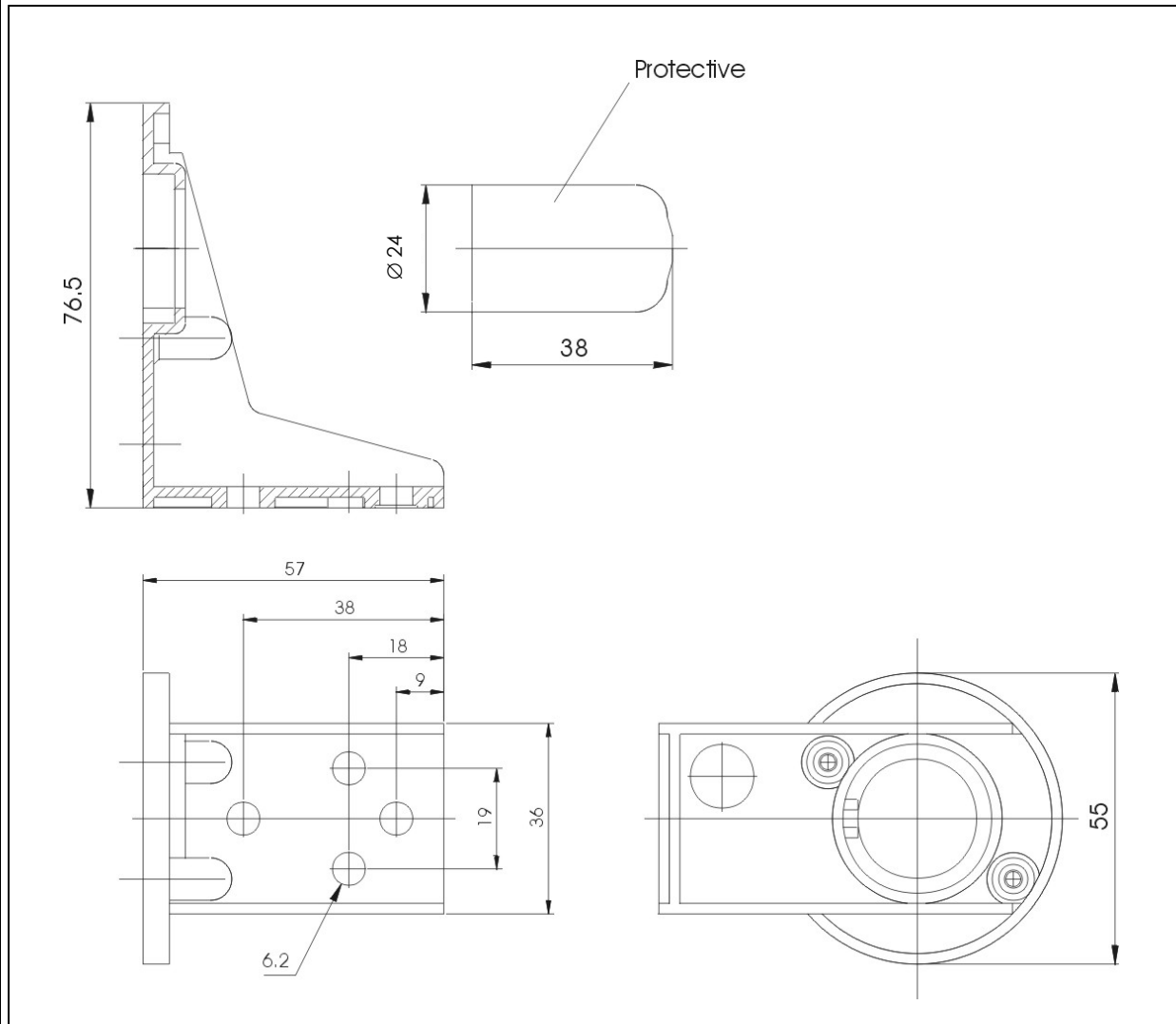
WERMA Signaltechnik
GmbH + Co.
Dürbheimer Straße 15
D-78604 Rietheim-Weilheim
Phone 0049/7424/9557-0
Fax 0049/7424/9557-44

Technical specifications:

Order-No.

Material: PA6.6 GF, black
 Weight approx.: 35g
 Working temperature: -25 ... +50 °C
 Terminal: connector with protective cap
 (cable sheath $\varnothing 6,5 - 8,5$ mm)

975 109 01



	Drawn up	proved	released	Data-sheet-No.
Name	E. Rudischhauser	S. Rudischhauser	H. Elsäßer	000 109 504
Date	2001-11-07	2001-11-07	2001-11-09	Page 1 of 1