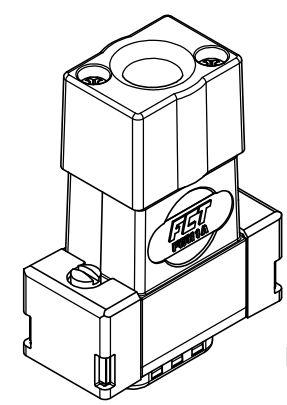
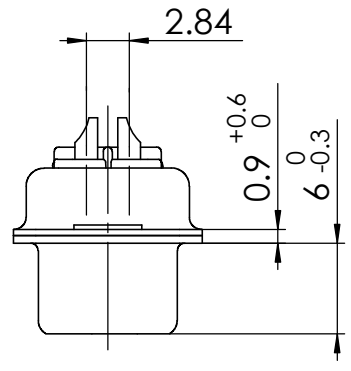
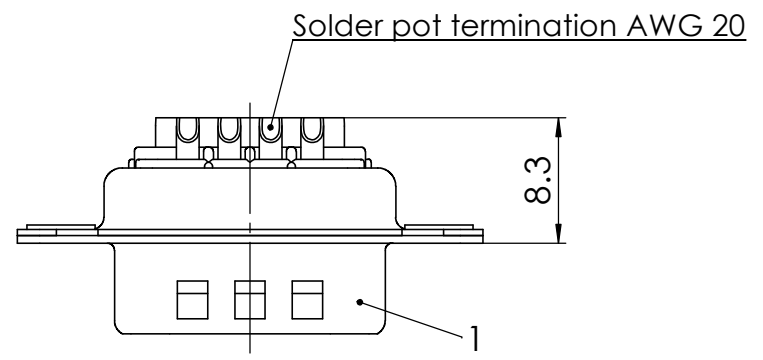
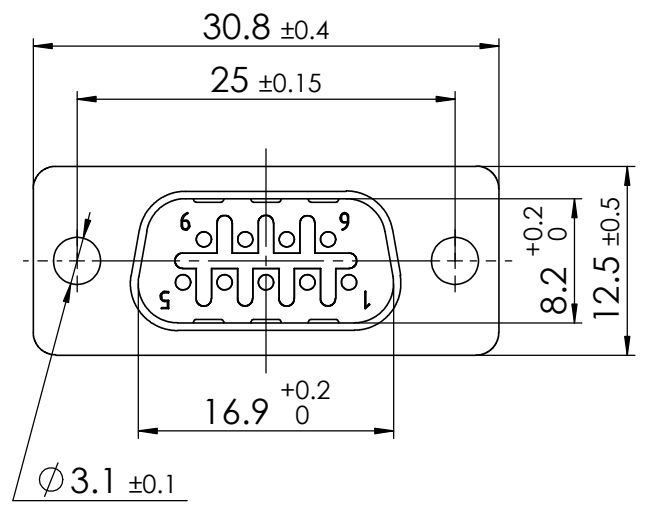
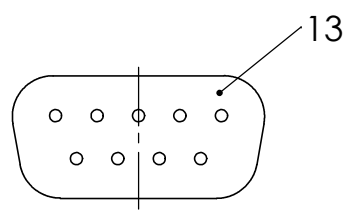
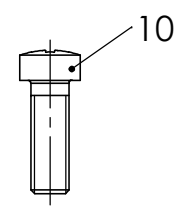
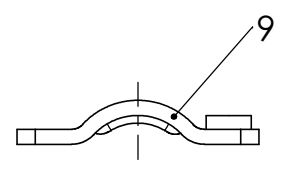


COMMENT: ALL RIGHTS ARE RESERVED BY US FOR THIS DRAWING. WITHOUT OUR PRIOR CONSENT, IT MAY NEITHER BE DUBLICATED NOR MADE AVAILABLE TO A THIRD PARTY. AND IT ALSO MAY NOT BE IMPROPERLY USED BY THE RECEIVER, OR A THIRD PARTY.

1 2 3 4 5 6 7 8

A
B
C
D
E
F

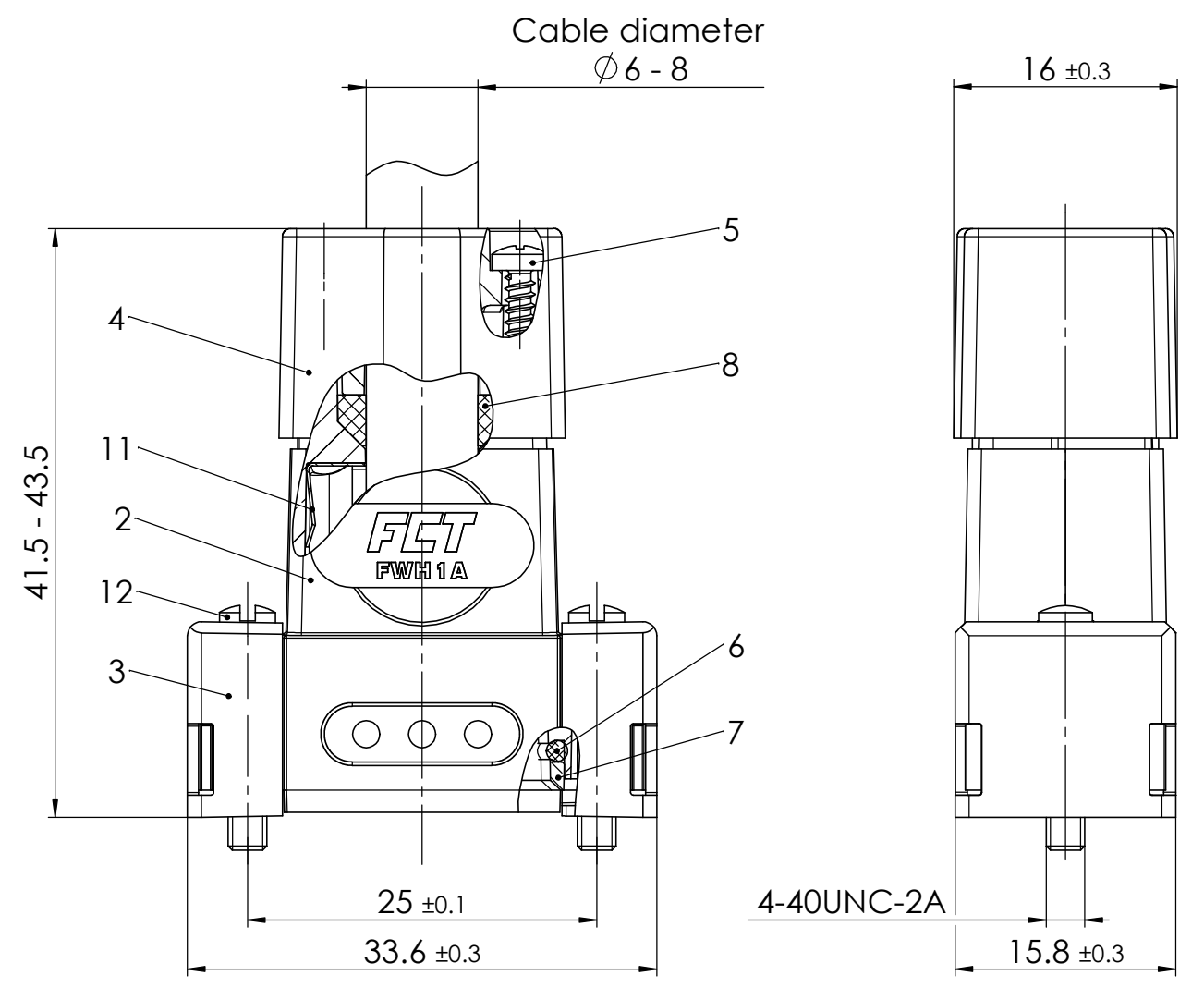


reverse side
1:1

RoHS compliant
by exemption

max. torque are 40 Nm
Mounting instruction AM0324
Parts-No. 3, 9, 10 and 13 not mounted

Protection standard IP67
according to DIN EN 60529



No.	St.	Part	Type Description/Material	Surface plating/Colour/Class
13	1	Front seal	Elastomer	black
12	2	Locking screw	FVS1/5 4-40 / Brass	nickel plated
11	1	Shielding plate	Bronze	tin plated
10	2	Cable clamp screw	Steel	zinc plated
9	2	Cable clamp	Steel	zinc plated
8	1	Seal ring	Elastomer	black
7	1	Holding frame	PBT	black
6	1	O-ring seal	Elastomer	red
5	2	Shell screw	Stainless steel	blank
4	1	Hood cap	PC+ABS	nickel plated
3	2	Holding cap	PEI	black
2	1	Hood	FWH1A / PC+ABS	nickel plated
1	1	Waterproof D-Sub Connector	F09P-K700	

SYMBOLS					THIS DRAWING CONTAINS INFORMATION THAT IS PROPRIETARY TO MOLEX ELECTRONIC TECHNOLOGIES, LLC AND SHOULD NOT BE USED WITHOUT WRITTEN PERMISSION				
▽ = 0	▽ = 0	▽ = 0	▽ = 0	▽ = 0	DIMENSION UNITS	SCALE	MEASUREMENTS WITHOUT TOLERANCE ACC. TO	molex	
▽ = 0	▽ = 0	▽ = 0	▽ = 0	▽ = 0	mm	2:1	ISO 2768-m		
▽ = 0	▽ = 0	▽ = 0	▽ = 0	▽ = 0	CURRENT REVISION			FCT-Hood Connector Set waterproof	
▽ = 0	▽ = 0	▽ = 0	▽ = 0	▽ = 0	DRWN: DRAWN BY ameyerrichte 28-08-2019			PRODUCT CUSTOMER DRAWING	
▽ = 0	▽ = 0	▽ = 0	▽ = 0	▽ = 0	APPR: APPR BY HStanisch 28-08-2019			MATERIAL NUMBER	
▽ = 0	▽ = 0	▽ = 0	▽ = 0	▽ = 0	INITIAL REVISION			REVISION	
▽ = 0	▽ = 0	▽ = 0	▽ = 0	▽ = 0	1	24143	DRWN: DRAWN BY ameyerrichte 28-08-2019	1731140385	
▽ = 0	▽ = 0	▽ = 0	▽ = 0	▽ = 0	REV.	CH.-NO.	APPR: APPR BY HStanisch 28-08-2019	DOCUMENT NUMBER	
▽ = 0	▽ = 0	▽ = 0	▽ = 0	▽ = 0	REPLACEMENT FOR: FWHyA-xxP-3649_rev3		THIRD ANGLE PROJECTION	CUSTOMER	
▽ = 0	▽ = 0	▽ = 0	▽ = 0	▽ = 0			DRAWING	GENERAL MARKET	
▽ = 0	▽ = 0	▽ = 0	▽ = 0	▽ = 0			A3-SIZE	SHEET NUMBER	
▽ = 0	▽ = 0	▽ = 0	▽ = 0	▽ = 0				1 OF 1	