

This is how you can assemble your signal tower

**ClassicLOOK**

**DesignLOOK**

► **STEP 1**

Select the required optical or audible elements.

Order numbers can be found on page 5-6.



**Audible Signal Element**

- 8 tone siren
- 2 tone siren

**Optical Signal Elements**

- TwinLIGHT
- TwinFLASH
- LED Permanent light element multicolour



► **STEP 2**

Select the terminal element and appropriate mounting solution for your application.

Tube Mounting	Single Hole Mounting	Base Mounting
Terminal element Order no. <b>630 800 75</b>	Terminal element Order no. <b>630 800 75</b>	Terminal element Order no. <b>630 800 75</b>
+	+	+
Adapter for tube mounting Order no. <b>630 830 00</b>	Adapter for single hole mounting Order no. <b>630 820 00</b>	Adapter for base mounting Order no. <b>630 810 00</b>

Tube Mounting	Single Hole Mounting	Base Mounting
Terminal element Order no. <b>630 700 75</b>	Terminal element Order no. <b>630 700 75</b>	Terminal element Order no. <b>630 700 75</b>
+	+	+
Adapter for tube mounting Order no. <b>630 730 00</b>	Adapter for single hole mounting Order no. <b>630 720 00</b>	Adapter for base mounting Order no. <b>630 710 00</b>

► **STEP 3**

Optional:  
Where appropriate, select the bracket.

Can be installed between the terminal element and the mounting adapter.

Tube Mounting	Single Hole Mounting	Base Mounting
Extension tube Order no. <b>960 630 03</b>	Extension tube Order no. <b>960 630 03</b>	Extension tube Order no. <b>960 630 03</b>

Tube Mounting	Single Hole Mounting	Base Mounting
Extension tube Order no. <b>960 630 07</b>	Extension tube Order no. <b>960 630 07</b>	Extension tube Order no. <b>960 630 07</b>

► **STEP 4**

Select tube extensions as required.

Bracket for assembly on aluminium profiles Order no. <b>960 630 02</b>	Bracket for concealed cable entry Order no. <b>960 630 01</b>

Bracket for assembly on aluminium profiles Order no. <b>960 630 06</b>	Bracket for concealed cable entry Order no. <b>960 630 05</b>

► **STEP 5**

Where appropriate, select the bracket and the contact box.

Further accessories can be found in our main catalogue or at [www.werma.com](http://www.werma.com).

# 630/634/635 KombiSIGN 40 - Optical Signal Elements



KombiSIGN 40 Signal Tower  
in ClassicLOOK



KombiSIGN 40 Signal Tower  
in DesignLOOK

- No more blind spots with the Omniview lens
- DesignLOOK and ClassicLOOK provide the appropriate signal tower for your application
- TwinLIGHT and TwinFLASH combine two light effects in one element

## TECHNICAL SPECIFICATIONS:

**Dimensions** (Ø x Height): 40 mm x 58,6 mm  
**Lens:** PC, transparent

### TwinLIGHT

**Light effects:** LED Permanent or Blinking light, can be set via DIP-Switch  
**Voltage:** 24 V AC/DC  
**Current consumption:** 50 mA

### TwinFLASH

**Light effects:** LED Flash light or EVS, can be set via DIP-Switch  
**Voltage:** 24 V DC  
**Current consumption:** 65 mA

### Multicolour

**Light effect:** LED Permanent light  
**Colours:** Red, yellow, green, blue, white, violet, turquoise  
**Voltage:** 24 V DC  
**Current consumption:** 100 mA

## ORDER SPECIFICATIONS:

	<u>ClassicLOOK</u>	<u>DesignLOOK</u>
<b>TwinLIGHT</b>		
red	634 110 75	634 130 75
green	634 210 75	634 230 75
yellow	634 310 75	634 330 75
white	634 430 75	634 430 75
blue	634 510 75	634 530 75

### **Pre-assembled signal tower**

green/yellow/red	639 300 01	639 301 01
------------------	------------	------------

### **TwinFLASH**

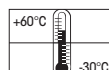
red	634 120 55	634 140 55
green	634 220 55	634 240 55
yellow	634 320 55	634 340 55
white	634 440 55	634 440 55
blue	634 520 55	634 540 55

### **Multicolour**

clear	634 450 55	634 450 55
-------	------------	------------

Available: 1st Quarter 2016

## TECHNICAL DIAGRAMS: see page 20



# 630/634/635 KombiSIGN 40 - Audible Signal Elements



8 tone KombiSIGN 40 siren  
in DesignLOOK

- 2 tone 85dB siren element
- Continuous or pulse tone adjustable via DIP switch
- High output 8 tone siren with 89 - 95dB adjustable via DIP switch
- 8 tones selectable

## TECHNICAL SPECIFICATIONS:

Housing: PC

### 2 Tone Siren

Dimensions (Ø x Height): 40 mm x 45 mm

Sound output: 85 dB

Tone type: Continuous or pulse tone, can be set via DIP-Switch

Voltage: 24 V AC/DC

Current consumption: 80 mA

### 8 Tone Siren

Dimensions (Ø x Height): 40 mm x 68 mm

Sound output: 89-95 dB, can be set via DIP-Switch

Tone type: 8 tones, can be set via DIP-Switch

Voltage: 24 V AC/DC

Current consumption: 200 mA

## ORDER SPECIFICATIONS:

	<u>ClassicLOOK</u>	<u>DesignLOOK</u>
2 Tone Siren	635 800 75	635 700 75
8 Tone Siren	635 810 75	635 710 75

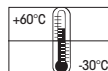
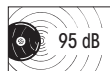
Available: 1st Quarter 2016



2 tone KombiSIGN 40 siren  
in ClassicLOOK

## TECHNICAL DIAGRAMS

see page 20 + 21



- The right solution for every installation



KombiSIGN 40 DesignLOOK  
assembly adapter for  
single hole mounting



KombiSIGN 40 ClassicLOOK  
assembly adapter for  
base mounting



KombiSIGN 40 DesignLOOK  
assembly adapter for  
tube mounting

### TECHNICAL SPECIFICATIONS:

#### Terminal element

Dimensions (Ø x Höhe):	40 mm x 40 mm
Housing:	PC
Fixing:	Base mounting, Single hole mounting, Tube mounting
Seal:	Pre-mounted with each module
Number of modules possible:	Max. 5
Voltage:	24 V AC/DC

#### Adapter for base mounting

Dimensions (Ø x Height):	40 mm x 30 mm
Material:	PC

#### Adapter single hole mounting

Dimensions (Ø x Height):	40 mm x 54 mm
Material:	PC

#### Adapter tube mounting

Dimensions (Ø x Height):	40 mm x 75 mm
Material:	PC

### ORDER SPECIFICATIONS:

	<u>ClassicLOOK</u>	<u>DesignLOOK</u>
Terminal element	630 800 75	630 700 75
Adapter for base mounting	630 810 00	630 710 00
Adapter for single hole mounting	630 820 00	630 720 00
Adapter for tube mounting	630 830 00	630 730 00

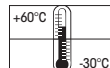
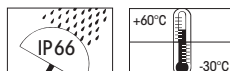
Available: 1st Quarter 2016

### ACCESSORIES:

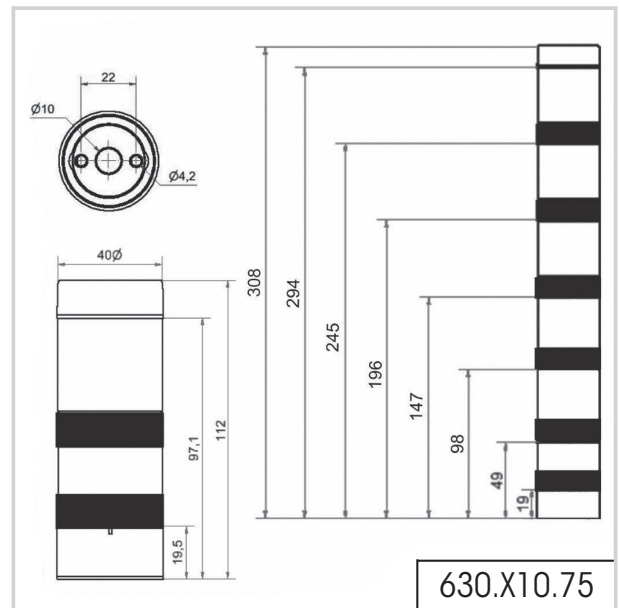
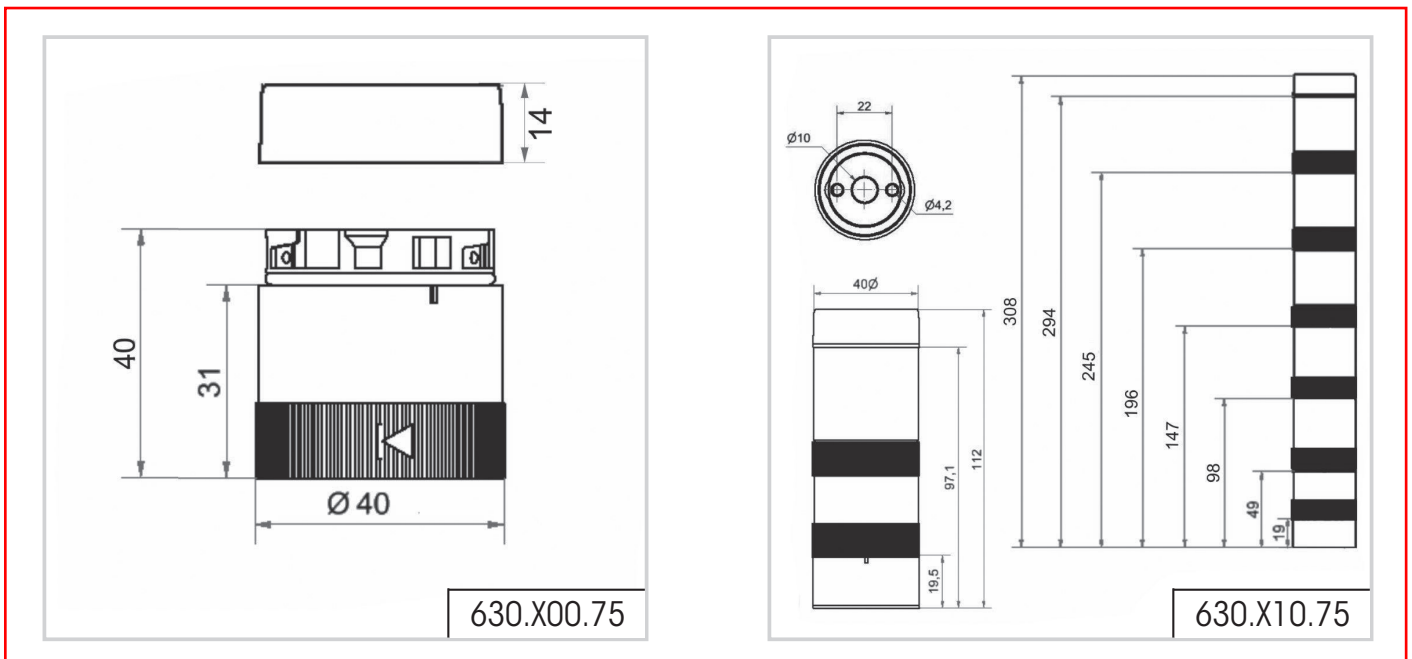
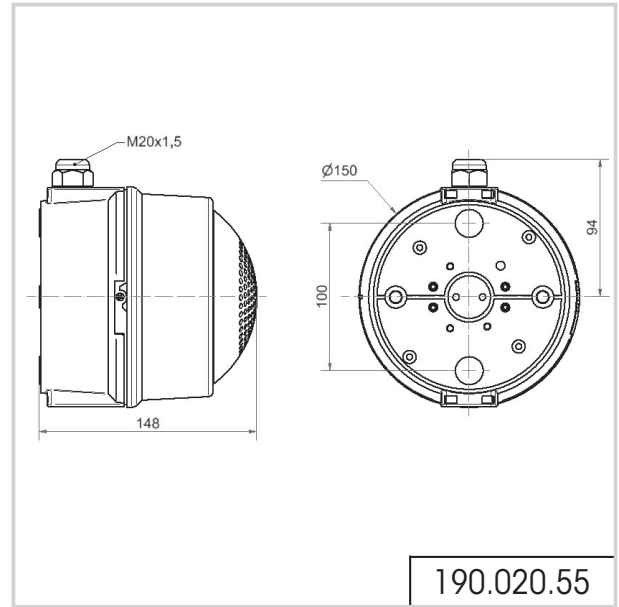
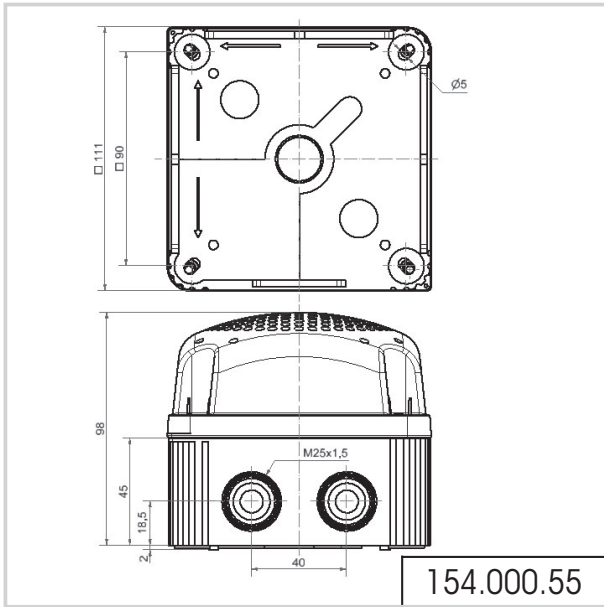
	<u>ClassicLOOK</u>	<u>DesignLOOK</u>
Bracket for assembly on aluminium profiles	960 630 02	960 630 06
Bracket for concealed cable entry	960 630 01	960 630 05

### TECHNICAL DIAGRAMS

see page 19 + 20 + 23



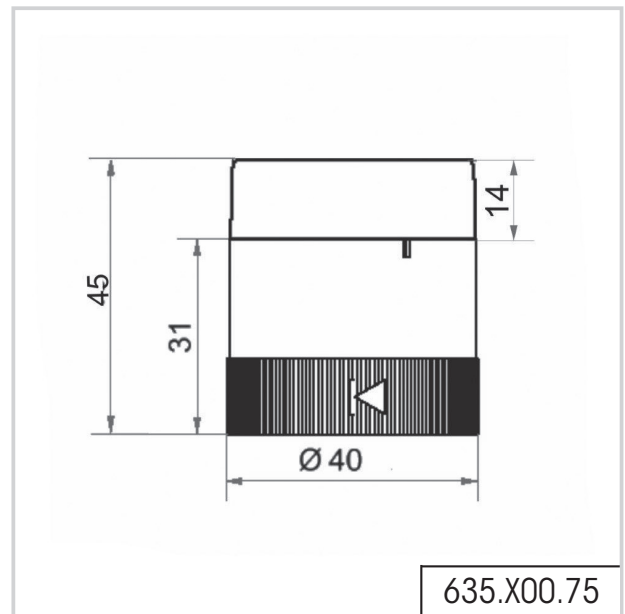
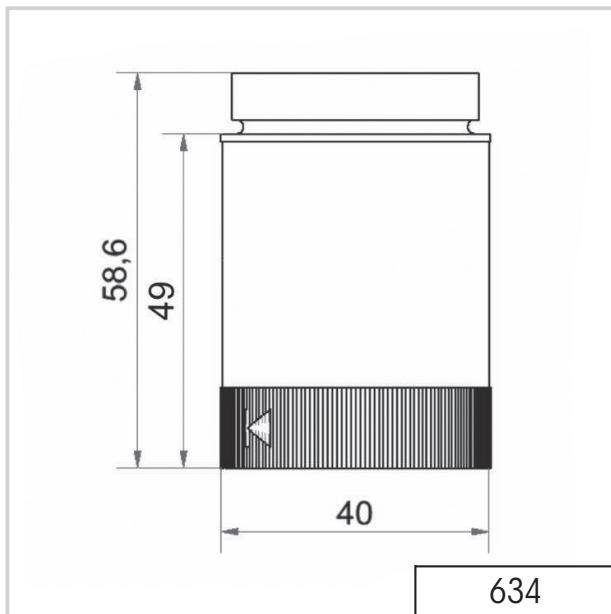
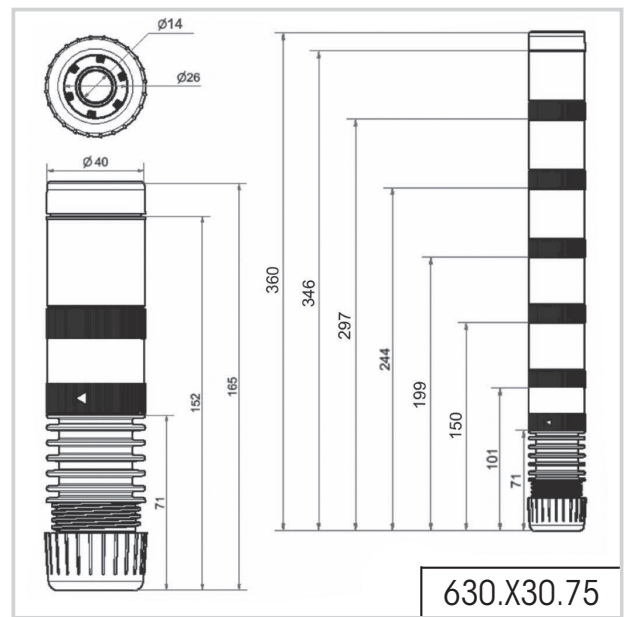
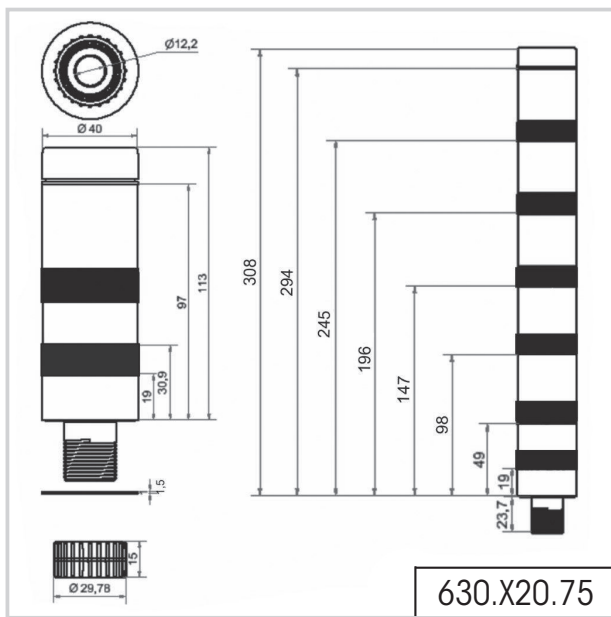
# Technical Diagrams



## ADDITIONAL INFORMATION:

You are welcome to request the technical diagrams in digital form. The relevant 3D models, instruction leaflets and connection diagrams can be obtained from us or downloaded from our homepage at any time.

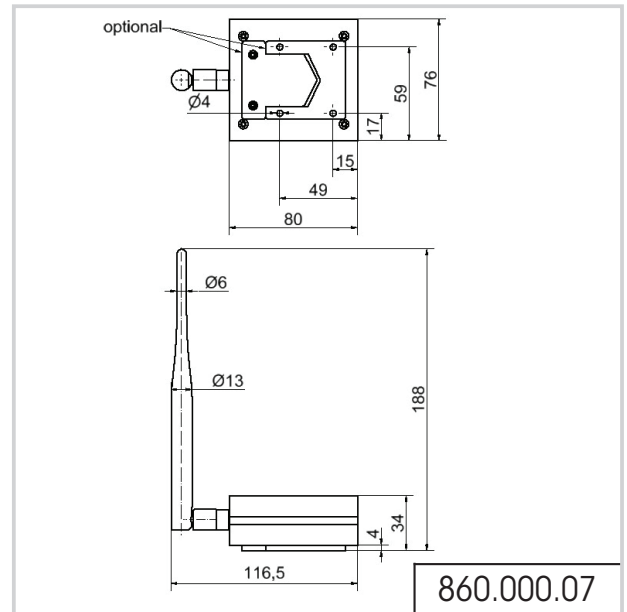
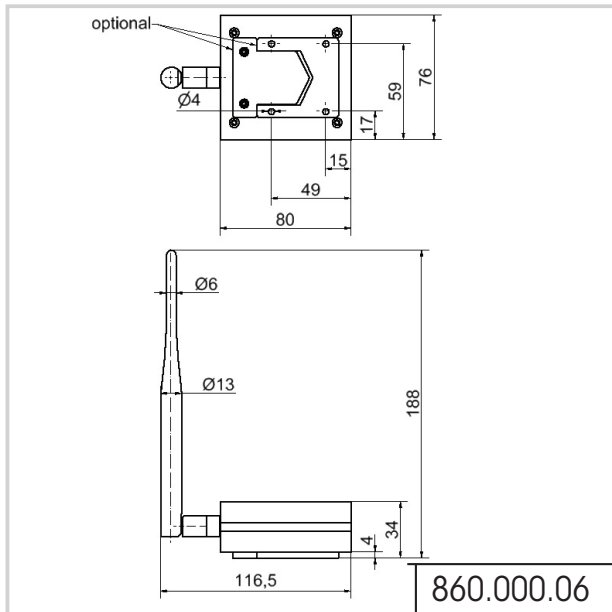
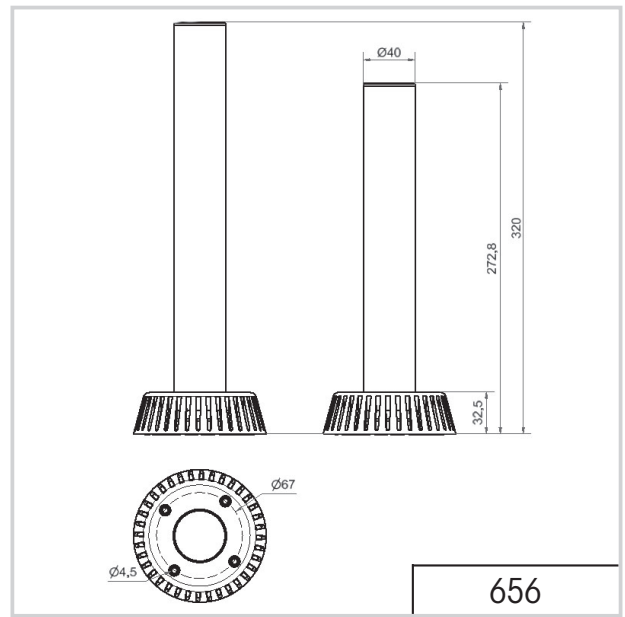
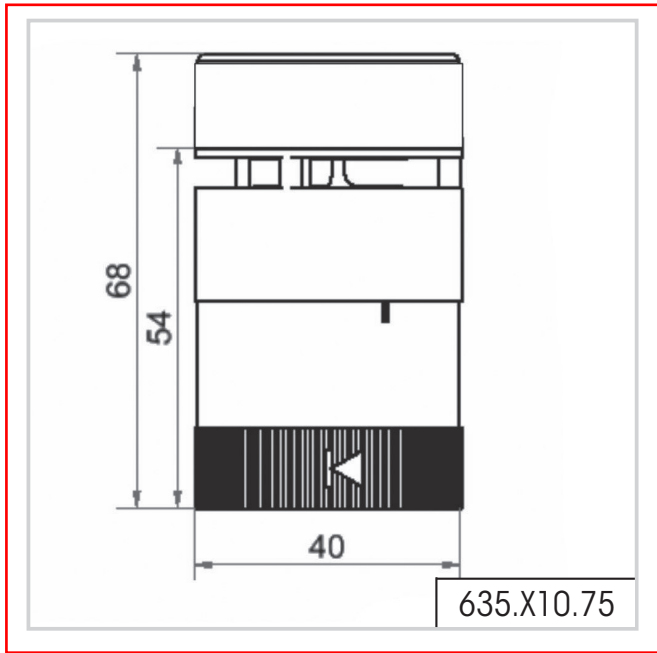
# Technical Diagrams



## ADDITIONAL INFORMATION:

You are welcome to request the technical diagrams in digital form. The relevant 3D models, instruction leaflets and connection diagrams can be obtained from us or downloaded from our homepage at any time.

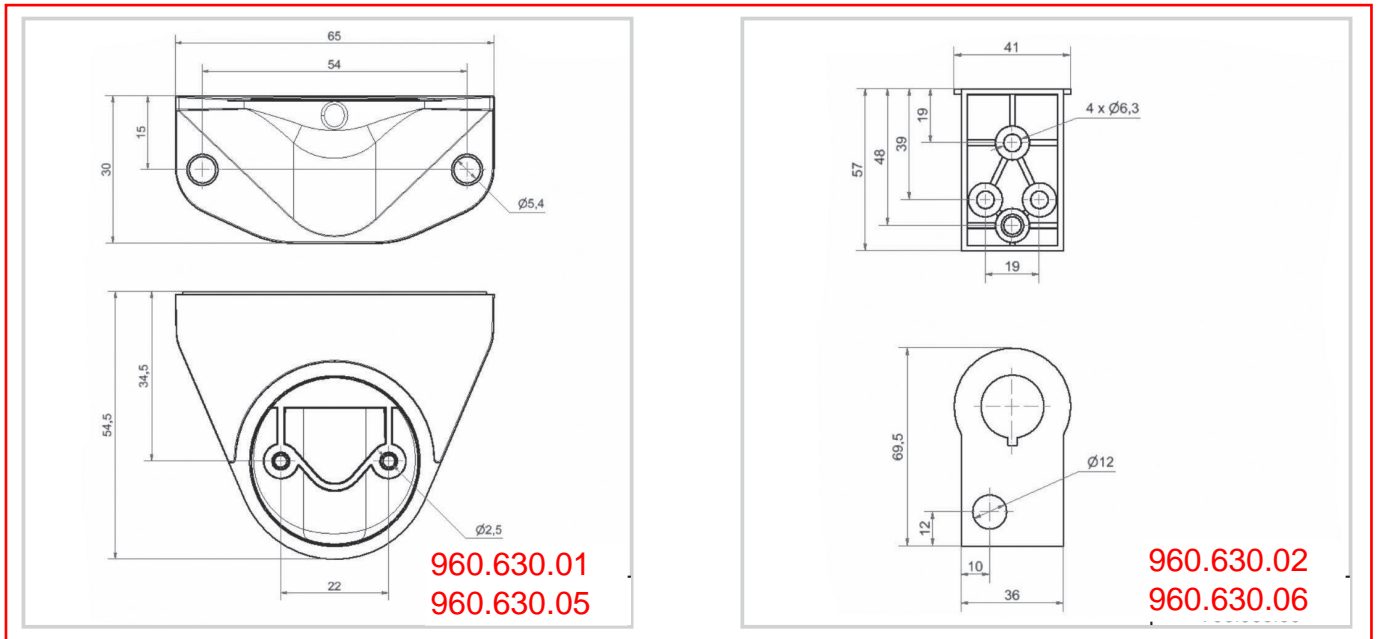
# Technical Diagrams



## ADDITIONAL INFORMATION:

You are welcome to request the technical diagrams in digital form. The relevant 3D models, instruction leaflets and connection diagrams can be obtained from us or downloaded from our homepage at any time.

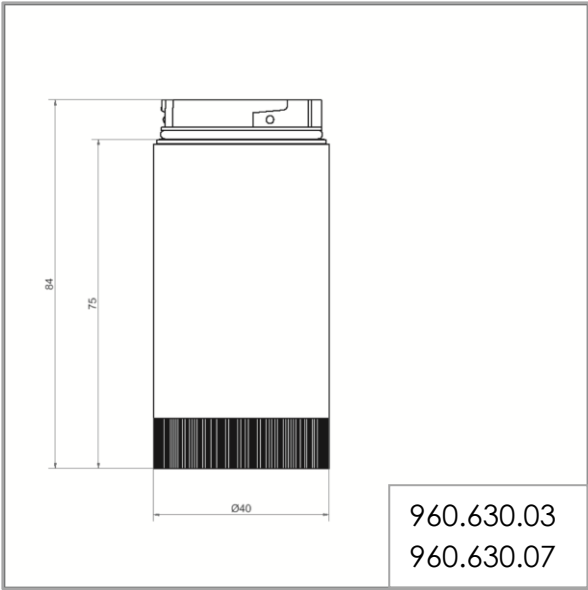
# Technical Diagrams

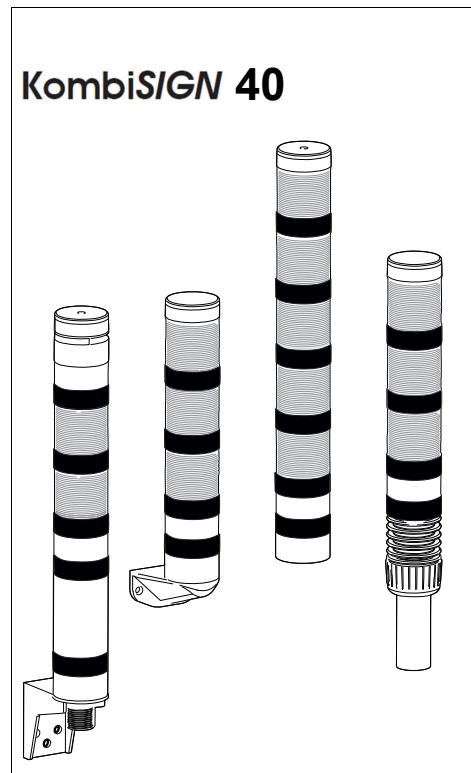
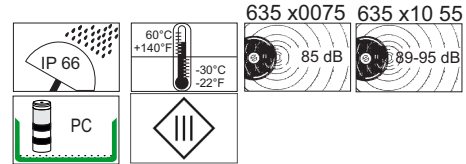


## ADDITIONAL INFORMATION:

You are welcome to request the technical diagrams in digital form. The relevant 3D models, instruction leaflets and connection diagrams can be obtained from us or downloaded from our homepage at any time.







**⚠ DANGER**

**⚡**

Ⓧ Anschluss **ausschließlich** durch ausgebildete Elektro-Fachkräfte.  
 Ⓝ Electrical connection is to be made by trained electrical specialists **only**.  
 Ⓣ Le branchement doit **uniquement** être effectué par des professionnels.  
 ⓘ Il collegamento deve essere eseguito **solo** da elettricisti specializzati.  
 Ⓜ La conexión **sólo** debe ser realizada por electricistas debidamente formados.  
 Ⓟ A ligação deve ser feita **exclusivamente** por profissional elétrico especializado.  
 Ⓝ De aansluiting mag **enkel** gebeuren door erkende vakmensen.  
 Ⓝ Pripojení smí **provádět** pouze kvalifikovaný personál.  
 Ⓜ Podłączenie **wyłącznie** przez specjalistów-elektryków.  
 ⓘ Liittäminen kuuluu **ainoastaan** koulutettujen sähköalan ammattilaisten tehtäviin.  
 Ⓝ Подключение проводится только специалистом-электриком.  
 ⓘ Bağlantı **sadece** eğitimli elektrik teknisyenleri tarafından yapılmalıdır.  
 Ⓝ 布线需由专业电工执行

**⚠ DANGER**  
EVS 634 x40 75

Ⓧ Bei Epilepsie ungeeignet!  
 Ⓝ Unsuitable for epilepsy sufferers.  
 Ⓣ Ne convient pas aux personnes souffrant d'épilepsie.  
 ⓘ Inadatto per epilettici.  
 Ⓜ Inadecuado para epilépticos.  
 Ⓟ Não aconselhavel a pessoas que sofrem de Epilepsia.  
 Ⓝ Niet geschikt voor epileptici.  
 Ⓝ Nevhodné pro epileptiky.  
 Ⓜ Nie stosować przy zchorzeniu padaczki.  
 ⓘ Ei soveltu epilettikoille.  
 Ⓝ Не подходит для страдающих эпилепсией.  
 ⓘ Epilepsi hastalığı olanların kullanmaması önerilir.  
 Ⓝ 不适用于癫痫病患者

**i**

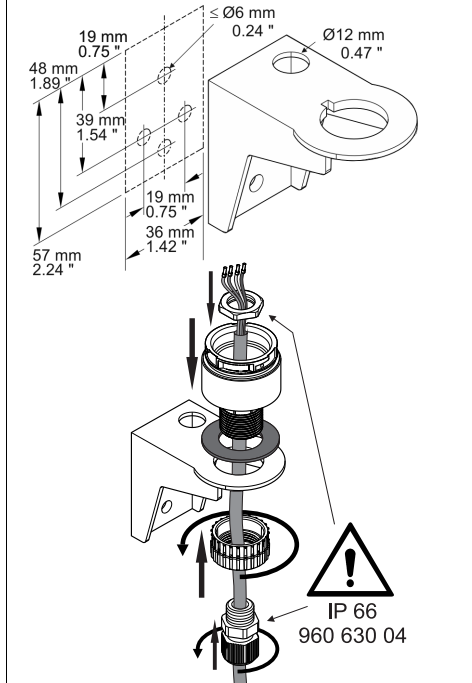
	630 x00 75	24V ≈	
	<b>TwInLIGHT</b> 634 x10 75 634 x30 75	24V ≈ 24V ≈	$I_{max}$ 50 mA $I_{max}$ 50 mA
	<b>TwInFLASH</b> 634 x20 55 634 x40 55	24V = 24V =	$I_{max}$ 65 mA $I_{max}$ 65 mA
	<b>Multicolour</b> 634 450 55	24 V =	$I_{max}$ 100 mA
	<b>Souder</b> 635 x00 75 635 x10 75	24V ≈ 24V ≈	$I_{max}$ 80 mA $I_{max}$ 200 mA

**1** 960 630 01, 960 630 05 +630 x10 75

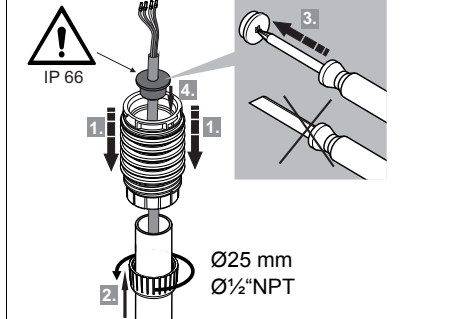
**2** 630 710 00  
630 810 00

**3** 630 720 00  
630 820 00

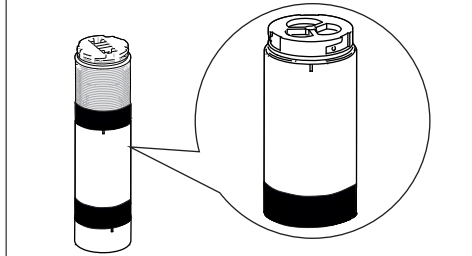
4 630 720 00, 630 820 00  
+ 960 630 02, 960 630 06



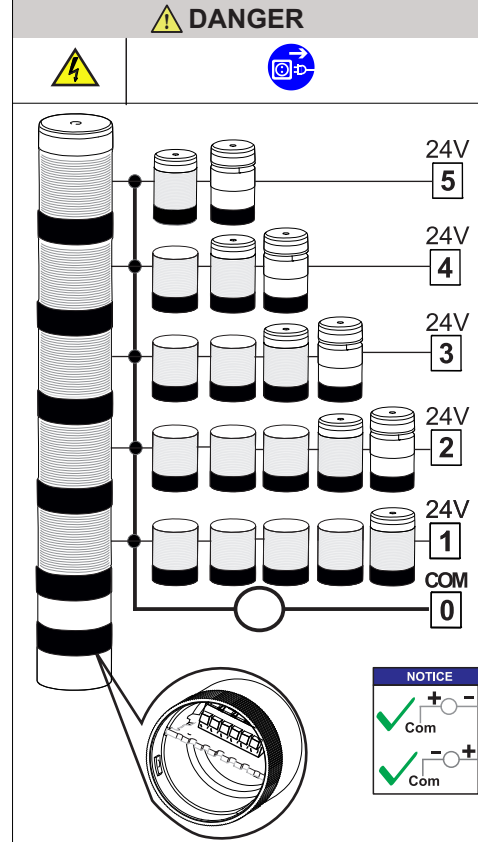
5 630 730 00  
630 830 00



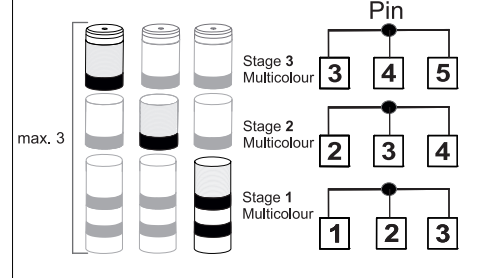
6 Optional  
960 630 0x



7 630 700 00  
630 800 00

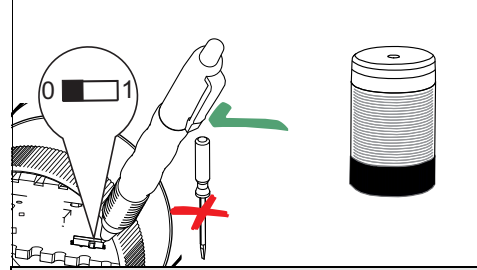


**NOTICE**  
Multicolour 634 450 55



Colour (RD)	24V		
Colour (GN)		24V	
Colour (YE)	24V	24V	
Colour (BU)			24V
Colour (WH)	24V	24V	24V
Colour (CYAN)		24V	24V
Colour (VIOL)	24V		24V

7a 634



**TwinLIGHT** 634 x10 75  
634 x30 75

Dip-Schalter Dip-Switch	Leuchtbild Light effect
1	Dauerlicht Permanent light
0	Blinklicht Blinking light

**TwinFLASH** 634 x20 55  
634 x40 55

Dip-Schalter Dip-Switch	Leuchtbild Light effect
0	Blitzlicht Flashing light
1	EVS

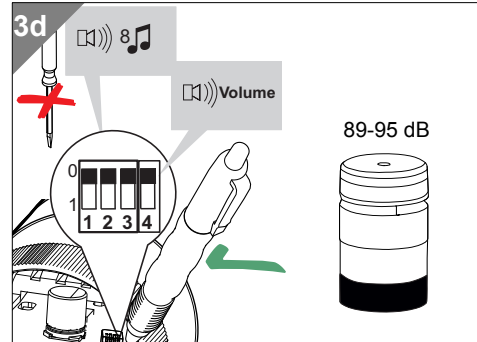
7b 635 x00 75



85 dB

Tone	Dip-Schalter Dip-Switch	Tone type	Frequencies	Pulse
1	0		2900Hz	1 HZ
2	1		2900 Hz	

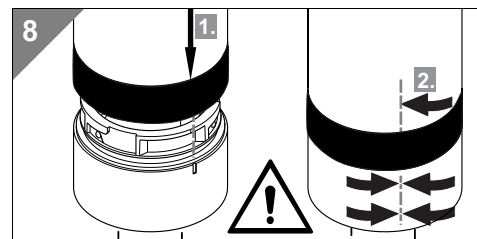
7c 635 x10 55



Tone	Code 1234	Tone type	Frequencies	Pulse
1	000x	Dauerton continuous,	4300 Hz	
2	100x	Dauerton continuous,	2100 Hz	
3	010x	pulsierend, pulse	4300 Hz	1 Hz
4	110x	pulsierend, pulse	2100 Hz	1 Hz
5	001x	pulsierend, pulse	4300 Hz	420 Hz
6	101x	pulsierend, pulse	2100 Hz	420 Hz
7	011x	pulsierend, pulse	4300 Hz	20 Hz
8	111x	Sweep	2100-4300 Hz	

**Volume**

000x		
------	--	--



310.630.001.1015 © D