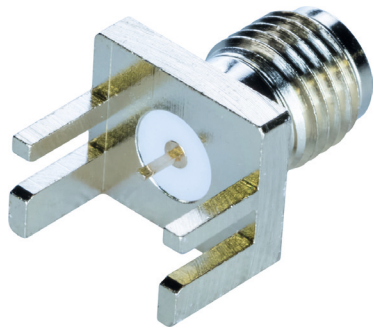


# HF Connectors



## Male Connector SMA 50 $\Omega$ , straight

---



### SPECIFICATION:

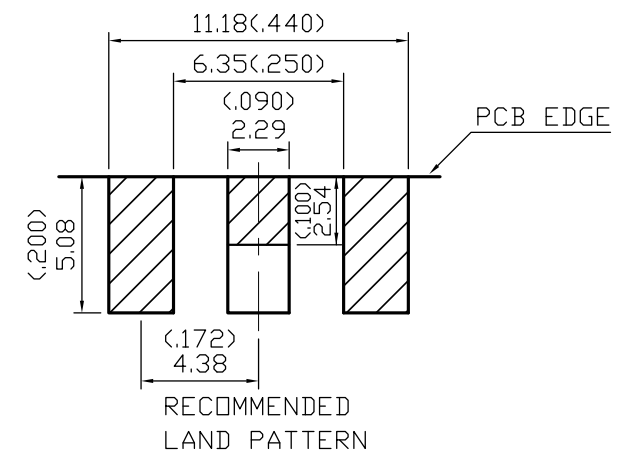
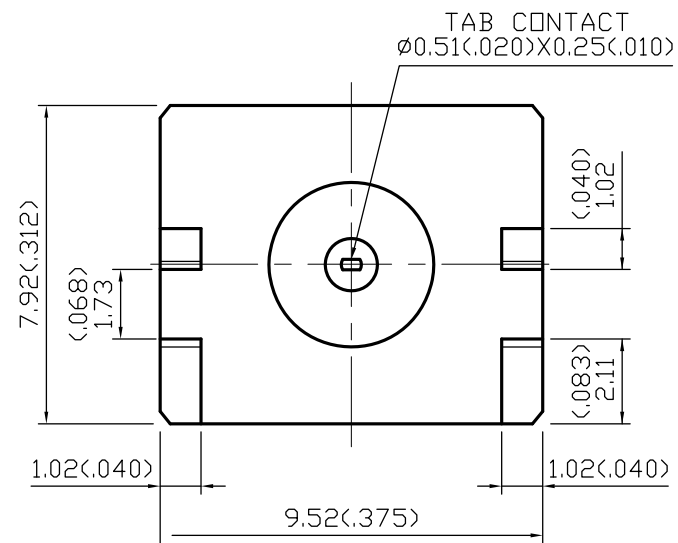
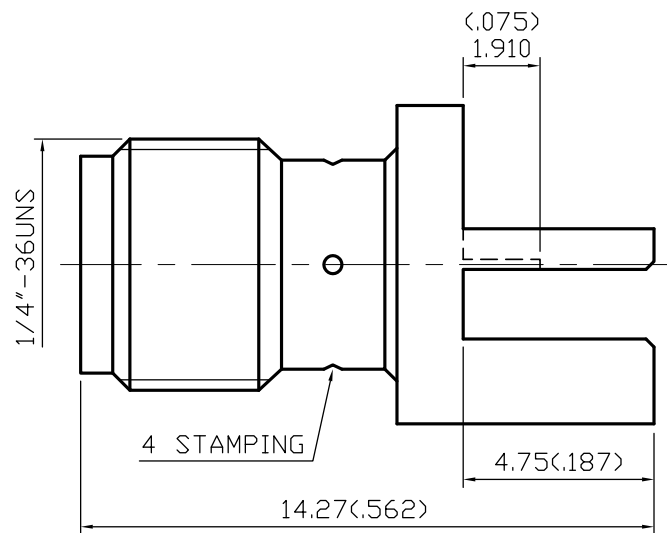
Mounting	PCB
Housing Material	Brass/Gold-Plated
Series	SMA
Frequency	18 GHz
Gender	Male
Insulation Material	Teflon
Impedance	50 $\Omega$
Connector Design	Straight
Contacts	Beryllium Copper/gold-plated
Return Loss	30 dB MIN. @ 6GHz
Centre Contact	1.91 (Tolerance 0.05)

# HF Connectors

Male Connector SMA 50 Ω, straight



## DRAWING



**PRODUCT RANGE:**  
Art. Nr.  
RND 205-00510