

Installation / Montage

IECEX TUR 20.0025X

Ex ia [ia Ga] IIC T6 Gb
Ex ib IIC T6 Gb
[Ex ia Da] IIIC

TÜV 19 ATEX 8476 X

II 2 (1) G Ex ia [ia Ga] IIC T6 Gb
II 2 G Ex ib IIC T6 Gb
II (1) D [Ex ia Da] IIIC

TÜV 21 UKEX 7045X

II 2 (1) G Ex ia [ia Ga] IIC T6 Gb
II 2 G Ex ib IIC T6 Gb
II (1) D [Ex ia Da] IIIC

Standards:

ATEX: EN 60079-0
EN 60079-11

IECEX: IEC 60079-0
IEC 60079-11

UKEX: BS EN 60079-0
BS EN 60079-11

Connection with intrinsically

safe circuits with:

$U_i = 30\text{ V}$ $C_i =$ negligibly small

$I_i = 500\text{ mA}$ $L_i =$ negligibly small

$P_i = 5.32\text{ W}$

$P_{i,max} = 0.5\text{ W}$

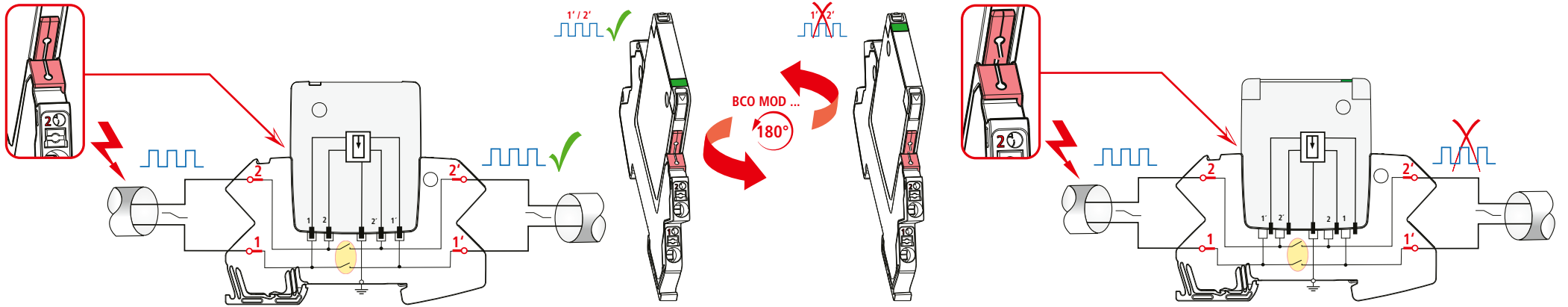
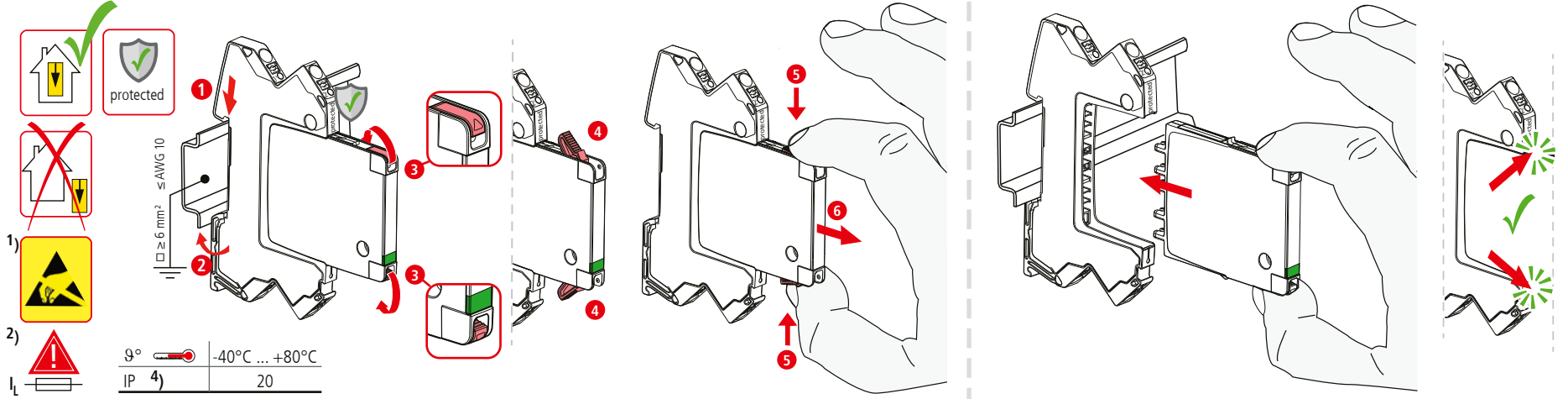
3) Special conditions for safe use

Ambient temperature range:

$-40\text{ °C} \leq T_a \leq +80\text{ °C}$ for T4

$-40\text{ °C} \leq T_a \leq +75\text{ °C}$ for T5

$-40\text{ °C} \leq T_a \leq +50\text{ °C}$ for T6

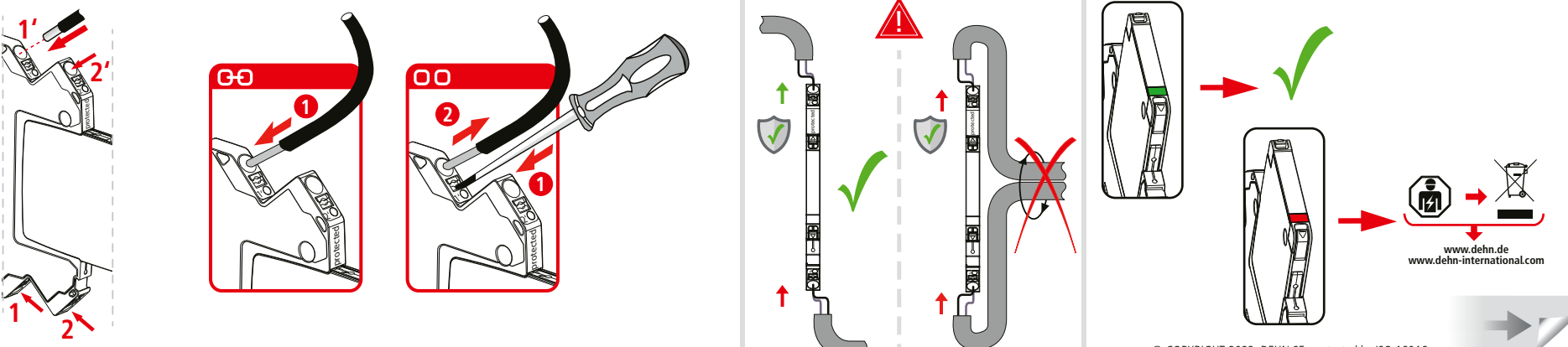


8 - 9 mm
□ 0.2 - 2.5 mm²
(24 - 14 AWG)

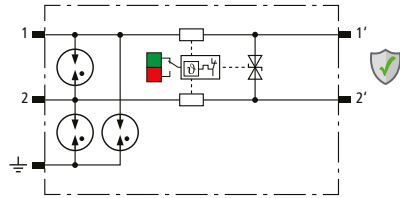
8 - 9 mm
□ 0.2 - 2.5 mm²

8 - 9 mm
□ 0.25 - 2.5 mm²

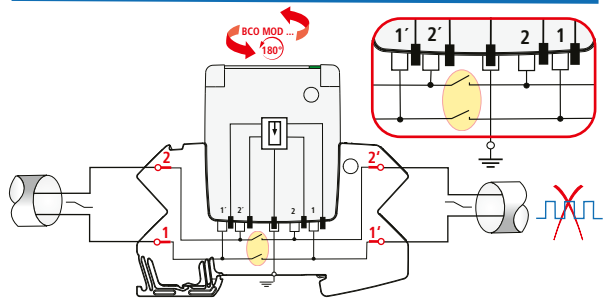
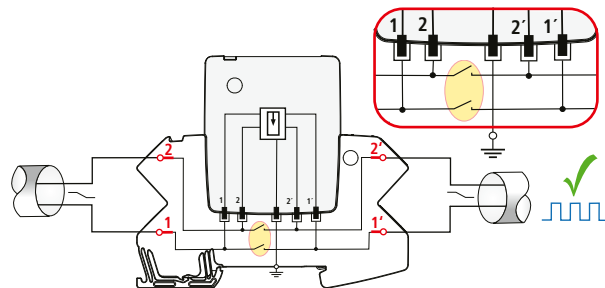
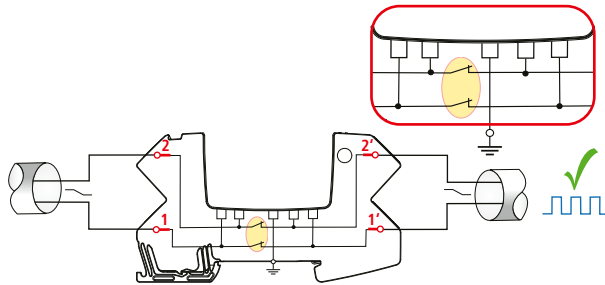
8 - 9 mm
□ 0.25 - 2.5 mm²



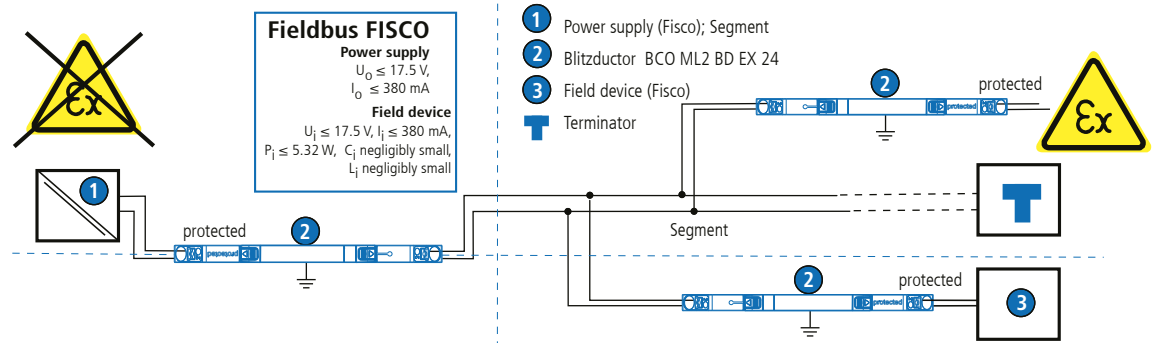
www.dehn.de
www.dehn-international.com



BCO MOD ML2 BD EX 24



Fieldbus FISCO



Control Drawing

Intrinsic Safety

