

GN 4490 | Ball-shaped door lock

Die-cast zinc alloy



- 1
- 2
- 3
- 4
- 5
- 6
- 7
- 8
- 9
- 10
- 11
- 12
- 13
- 14
- 15
- 16
- 17
- 18

MATERIAL

Die-cast zinc alloy.

BALL CONTAINMENT BODY

Acetal resin based (POM) technopolymer.

BALLS

AISI 304 stainless steel.

SPRINGS

AISI 301 stainless steel.

STANDARD EXECUTIONS

Pass-through holes for countersunk head screws.

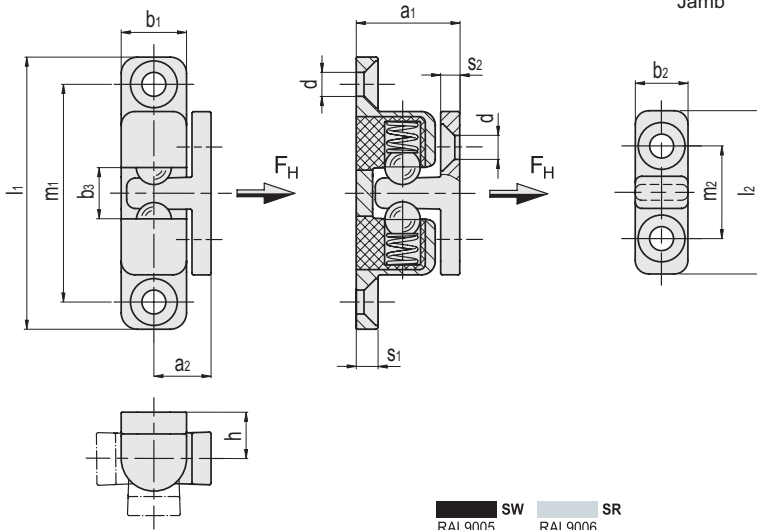
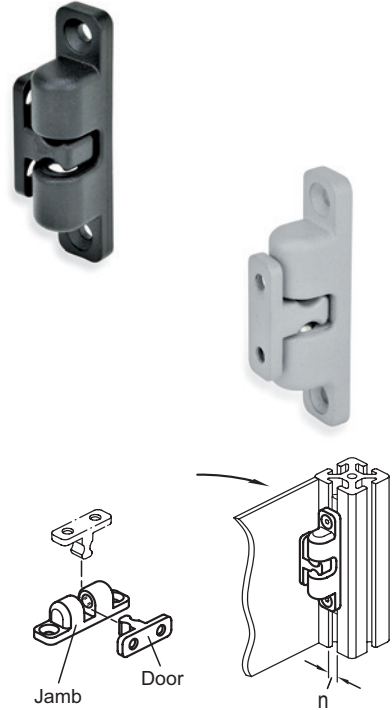
- **GN 4490-1-SW:** Normal pressure steel spring, RAL 9005 black epoxy resin coating, matte finish.
- **GN 4490-1-SR:** Normal pressure steel spring, RAL 9006 grey epoxy resin coating, matte finish.
- **GN 4490-2-SW:** Reinforced pressure steel spring, RAL 9005 black epoxy resin coating, matte finish.
- **GN 4490-2-SR:** Reinforced pressure steel spring, RAL 9006 grey epoxy resin coating, matte finish.

FEATURES AND APPLICATIONS

GN 4490 ball-shaped door locks are generally used for closing panels and doors that must be opened and closed frequently with ease. They consist of a jamb body, equipped with balls and springs, and a door body that engages laterally or frontally. The installation can be oriented as required.

SPECIAL EXECUTION ON REQUEST

Epoxy resin coatings in various colours.



Code	Description	Code	Description	l1	l2	a1	a2	b1	b2	b3	d	h	m1	m2	s1	s2	n	FH* [N]	Δ
GN.22803	GN 4490-ZD-38-1-SW	GN.22801	GN 4490-ZD-38-1-SR	38	21	15	7.5	8	7	4.3	3.5	7.5	30	12	4	2.5	≤ 4.5	25	12
GN.22807	GN 4490-ZD-38-2-SW	GN.22805	GN 4490-ZD-38-2-SR	38	21	15	7.5	8	7	4.3	3.5	7.5	30	12	4	2.5	≤ 4.5	35	12
GN.22811	GN 4490-ZD-50-1-SW	GN.22809	GN 4490-ZD-50-1-SR	50	30	20	10.5	12	10	6.5	4.5	9.5	40	17	5	3.5	≤ 6	40	29
GN.22815	GN 4490-ZD-50-2-SW	GN.22813	GN 4490-ZD-50-2-SR	50	30	20	10.5	12	10	6.5	4.5	9.5	40	17	5	3.5	≤ 6	70	31
GN.22819	GN 4490-ZD-68-1-SW	GN.22817	GN 4490-ZD-68-1-SR	68	32.5	23	12	14.5	11	9.5	4.5	11	55	20	5	3.5	≤ 8	75	56
GN.22823	GN 4490-ZD-68-2-SW	GN.22821	GN 4490-ZD-68-2-SR	68	32.5	23	12	14.5	11	9.5	4.5	11	55	20	5	3.5	≤ 8	100	56
GN.22827	GN 4490-ZD-80-1-SW	GN.22825	GN 4490-ZD-80-1-SR	80	40	27	14	16.5	13	11	5.5	13	40	25	6	4	≤ 10	125	88
GN.22831	GN 4490-ZD-80-2-SW	GN.22829	GN 4490-ZD-80-2-SR	80	40	27	14	16.5	13	11	5.5	13	40	25	6	4	≤ 10	150	82

Latches

*Holding force