

**MATERIAL**

Nickel-plated die-cast zinc.

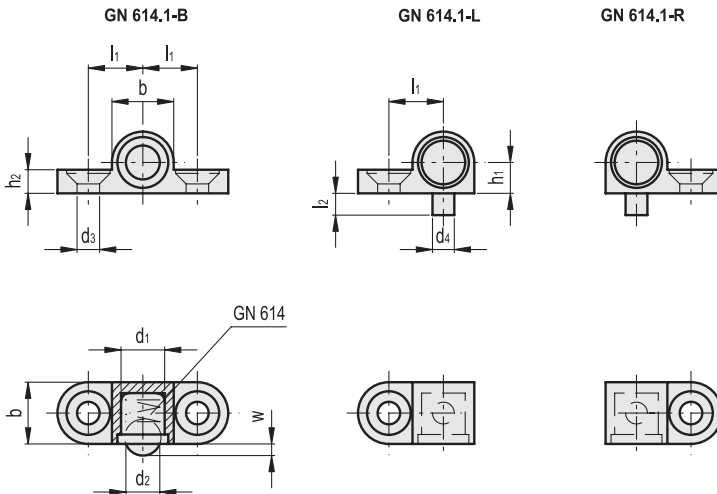
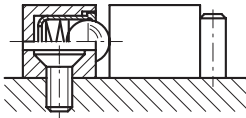
**STANDARD EXECUTIONS**

- **GN 614.1-B**: two-side fixing wings.
- **GN 614.1-L**: left-side fixing wing with positioning pin.
- **GN 614.1-R**: right-side fixing wing with positioning pin.

**FEATURES AND APPLICATIONS**

GN 614.1 holders for spring plungers optimise the use of smooth ball spring plungers GN 614 (see page 840) and GN 614-NI (see page 840).

Application example



Code	Description	d1	d2	d3	d4-0.05	l1-0.1	l2	b	h1±0.05	h2	w-0.1	Screw	⚖️
GN.32205	GN 614.1-6-B	6	5	3.2	3	7.5	3	8.5	4.25	3.2	1.5	M3	5
GN.32206	GN 614.1-8-B	8	6.5	4.3	4	9.5	4	10.5	5.25	4.2	1.8	M4	5
GN.32215	GN 614.1-6-L	6	5	3.2	3	7.5	3	8.5	4.25	3.2	1.5	M3	5
GN.32216	GN 614.1-8-L	8	6.5	4.3	4	9.5	4	10.5	5.25	4.2	1.8	M4	5
GN.32225	GN 614.1-6-R	6	5	3.2	3	7.5	3	8.5	4.25	3.2	1.5	M3	5
GN.32226	GN 614.1-8-R	8	6.5	4.3	4	9.5	4	10.5	5.25	4.2	1.8	M4	5



Indexing and positioning elements