

- 1
- 2
- 3
- 4
- 5
- 6
- 7
- 8
- 9
- 10
- 11
- 12**
- 13
- 14
- 15
- 16
- 17
- 18

STANDARD EXECUTIONS

Base with 2 holes for ground mounting, articulation or threaded stem with Zinc-plated steel nut.

- **LMP.FF (d)**: threaded blind ball joint.
- **LMP.FF (d - l)**: threaded stem.

SET SCREW

AISI 304 stainless steel.

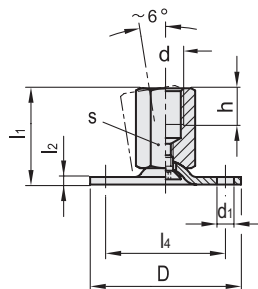
FEATURES

The resistance of the levelling feet to a static load is obviously limited by the permissible load capacity of the rod (steel strength class 500 N/mm²).

The static load values in the table below are the result of laboratory tests in which the load has been applied perpendicularly to the base. Such values have to be considered as purely indicative and must be verified under the specific conditions of use.

Any off-axis stress must be taken into account because they can reduce the load resistance.

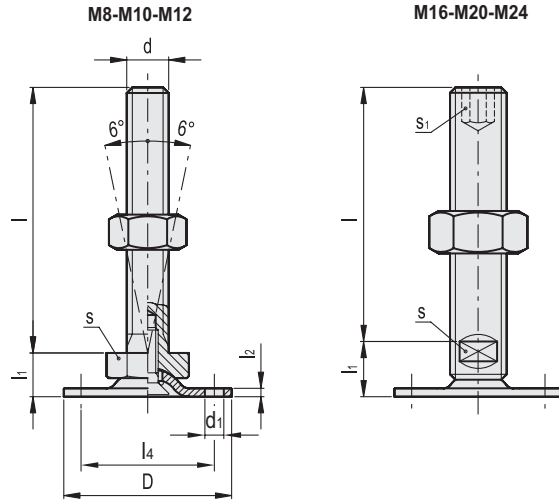
It's the user's responsibility to determine, case by case, whether the product is suitable for the intended use.



LMP.FF (d)

Code	Description	D	d	d1	l1	l2	l4	h	s	Max. limit static load [N]	
402801	LMP.40-M8-FF	40	M8	5.4	25	2	30	8	14	7000	63
402803	LMP.40-M10-FF	40	M10	5.4	28	2	30	10	14	7000	61
402804	LMP.40-M12-FF	40	M12	5.4	31	2	30	12	17	7000	77
402851	LMP.50-M8-FF	50	M8	6.6	25	2.5	38	8	14	8000	81
402853	LMP.50-M10-FF	50	M10	6.6	28	2.5	38	10	14	8000	79
402901	LMP.60-M8-FF	60	M8	6.6	25	2.5	48	8	14	8000	98
402903	LMP.60-M10-FF	60	M10	6.6	28	2.5	48	10	14	10000	96
402905	LMP.60-M12-FF	60	M12	6.6	32	2.5	48	12	17	10000	111
402951	LMP.80-M10-FF	80	M10	8.6	29	3	64	10	14	10000	156
402953	LMP.80-M12-FF	80	M12	8.6	32	3	64	12	17	12000	172
402955	LMP.80-M16-FF	80	M16	8.6	38	3	64	16	22	12000	189

Levelling feet and supports

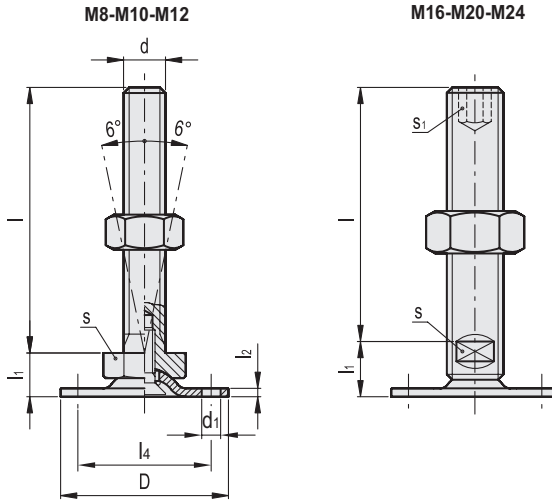


LMP.FF (d - l)

Code	Description	D	d	d1	l	l1	l2	l4	s	s1	Max. limit static load [N]	⚖️
402811	LMP.40-M8x40-FF	40	M8	5.4	40	11	2	30	17	-	7000	45
402813	LMP.40-M8x50-FF	40	M8	5.4	50	11	2	30	17	-	7000	48
402815	LMP.40-M8x63-FF	40	M8	5.4	63	11	2	30	17	-	7000	52
402821	LMP.40-M10x50-FF	40	M10	5.4	50	11	2	30	17	-	7000	82
402823	LMP.40-M10x60-FF	40	M10	5.4	60	11	2	30	17	-	7000	86
402825	LMP.40-M10x80-FF	40	M10	5.4	80	11	2	30	17	-	7000	96
402827	LMP.40-M10x100-FF	40	M10	5.4	100	11	2	30	17	-	7000	106
402831	LMP.40-M12x60-FF	40	M12	5.4	60	11	2	30	17	-	7000	104
402833	LMP.40-M12x80-FF	40	M12	5.4	80	11	2	30	17	-	7000	119
402835	LMP.40-M12x100-FF	40	M12	5.4	100	11	2	30	17	-	7000	133
402837	LMP.40-M12x125-FF	40	M12	5.4	125	11	2	30	17	-	7000	159
402861	LMP.50-M8x40-FF	50	M8	6.6	40	11	2.5	38	17	-	8000	63
402863	LMP.50-M8x50-FF	50	M8	6.6	50	11	2.5	38	17	-	8000	66
402865	LMP.50-M8x63-FF	50	M8	6.6	63	11	2.5	38	17	-	8000	70
402871	LMP.50-M10x50-FF	50	M10	6.6	50	11	2.5	38	17	-	8000	83
402873	LMP.50-M10x60-FF	50	M10	6.6	60	11	2.5	38	17	-	8000	104
402875	LMP.50-M10x80-FF	50	M10	6.6	80	11	2.5	38	17	-	8000	114
402877	LMP.50-M10x100-FF	50	M10	6.6	100	11	2.5	38	17	-	8000	124
402881	LMP.50-M12x60-FF	50	M12	6.6	60	11	2.5	38	17	-	8000	122
402883	LMP.50-M12x80-FF	50	M12	6.6	80	11	2.5	38	17	-	8000	137
402885	LMP.50-M12x100-FF	50	M12	6.6	100	11	2.5	38	17	-	8000	151
402887	LMP.50-M12x125-FF	50	M12	6.6	125	11	2.5	38	17	-	8000	177
402891	LMP.50-M16x75-FF	50	M16	6.6	75	17	2.5	38	12	8	8000	169
402893	LMP.50-M16x100-FF	50	M16	6.6	100	17	2.5	38	12	8	8000	201
402895	LMP.50-M16x125-FF	50	M16	6.6	125	17	2.5	38	12	8	8000	233
402897	LMP.50-M16x150-FF	50	M16	6.6	150	17	2.5	38	12	8	8000	265
402899	LMP.50-M16x200-FF	50	M16	6.6	200	17	2.5	38	12	8	8000	325



- 1
- 2
- 3
- 4
- 5
- 6
- 7
- 8
- 9
- 10
- 11
- 12
- 13
- 14
- 15
- 16
- 17
- 18



LMP.FF (d - l)

Code	Description	D	d	d1	l	l1	l2	l4	s	s1	Max. limit static load [N]	
402911	LMP.60-M8x40-FF	60	M8	6.6	40	11	2.5	48	17	-	8000	80
402913	LMP.60-M8x50-FF	60	M8	6.6	50	11	2.5	48	17	-	8000	83
402915	LMP.60-M8x63-FF	60	M8	6.6	63	11	2.5	48	17	-	8000	87
402921	LMP.60-M10x50-FF	60	M10	6.6	50	11	2.5	48	17	-	10000	116
402923	LMP.60-M10x60-FF	60	M10	6.6	60	11	2.5	48	17	-	10000	121
402925	LMP.60-M10x80-FF	60	M10	6.6	80	11	2.5	48	17	-	10000	130
402927	LMP.60-M10x100-FF	60	M10	6.6	100	11	2.5	48	17	-	10000	140
402931	LMP.60-M12x60-FF	60	M12	6.6	60	11	2.5	48	17	-	10000	138
402933	LMP.60-M12x80-FF	60	M12	6.6	80	11	2.5	48	17	-	10000	153
402935	LMP.60-M12x100-FF	60	M12	6.6	100	11	2.5	48	17	-	10000	167
402937	LMP.60-M12x125-FF	60	M12	6.6	125	11	2.5	48	17	-	10000	189
402941	LMP.60-M16x75-FF	60	M16	6.6	75	17	2.5	48	12	8	10000	186
402943	LMP.60-M16x100-FF	60	M16	6.6	100	17	2.5	48	12	8	10000	218
402945	LMP.60-M16x125-FF	60	M16	6.6	125	17	2.5	48	12	8	10000	250
402947	LMP.60-M16x150-FF	60	M16	6.6	150	17	2.5	48	12	8	10000	282
402949	LMP.60-M16x200-FF	60	M16	6.6	200	17	2.5	48	12	8	10000	342
402961	LMP.80-M8x40-FF	80	M8	8.6	40	12	3	64	17	-	8000	140
402963	LMP.80-M8x50-FF	80	M8	8.6	50	12	3	64	17	-	8000	143
402965	LMP.80-M8x63-FF	80	M8	8.6	63	12	3	64	17	-	8000	147
402971	LMP.80-M10x50-FF	80	M10	8.6	50	12	3	64	17	-	10000	177
402973	LMP.80-M10x60-FF	80	M10	8.6	60	12	3	64	17	-	10000	182
402975	LMP.80-M10x80-FF	80	M10	8.6	80	12	3	64	17	-	10000	191
402977	LMP.80-M10x100-FF	80	M10	8.6	100	12	3	64	17	-	10000	167
402981	LMP.80-M12x60-FF	80	M12	8.6	60	12	3	64	17	-	12000	199
402983	LMP.80-M12x80-FF	80	M12	8.6	80	12	3	64	17	-	12000	200
402985	LMP.80-M12x100-FF	80	M12	8.6	100	12	3	64	17	-	12000	228
402987	LMP.80-M12x125-FF	80	M12	8.6	125	12	3	64	17	-	12000	275
402991	LMP.80-M16x75-FF	80	M16	8.6	75	18	3	64	12	8	12000	247
402993	LMP.80-M16x100-FF	80	M16	8.6	100	18	3	64	12	8	12000	279
402995	LMP.80-M16x125-FF	80	M16	8.6	125	18	3	64	12	8	12000	320
402997	LMP.80-M16x150-FF	80	M16	8.6	150	18	3	64	12	8	12000	343
402999	LMP.80-M16x200-FF	80	M16	8.6	200	18	3	64	12	8	12000	403
403001	LMP.80-M20x75-FF	80	M20	8.6	75	19	3	64	15	10	16000	340
403003	LMP.80-M20x100-FF	80	M20	8.6	100	19	3	64	15	10	16000	390
403005	LMP.80-M20x125-FF	80	M20	8.6	125	19	3	64	15	10	16000	440
403007	LMP.80-M20x150-FF	80	M20	8.6	150	19	3	64	15	10	16000	489
403009	LMP.80-M20x200-FF	80	M20	8.6	200	19	3	64	15	10	16000	580
403011	LMP.80-M24x100-FF	80	M24	8.6	100	22	3	64	19	12	16000	534
403013	LMP.80-M24x125-FF	80	M24	8.6	125	22	3	64	19	12	16000	606
403015	LMP.80-M24x150-FF	80	M24	8.6	150	22	3	64	19	12	16000	678
403017	LMP.80-M24x200-FF	80	M24	8.6	200	22	3	64	19	12	16000	816

Levelling feet and supports