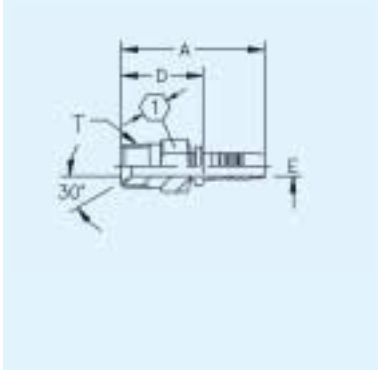


2661, FC318 with Hose Clamp

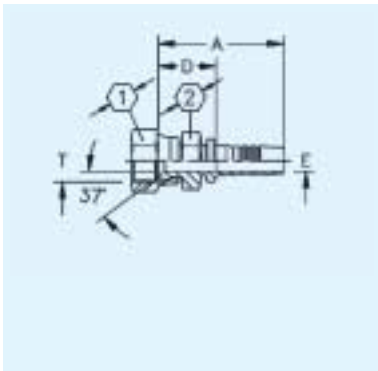
Fittings with hose clamps Armaturen mit Schlauchschellen Raccords avec collier de serrage Raccordi con fascette Racores con abrazaderas

NPTF Male Pipe Außengewindestutzen, NPTF Mâle NPTF Maschio NPTF Macho NPTF



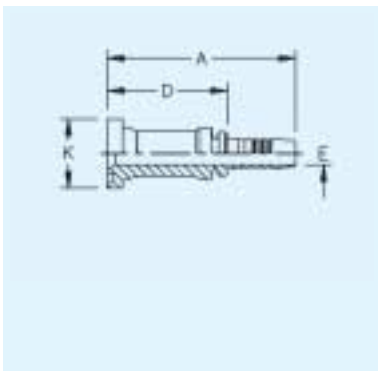
Part Number	Thread T	Flange Tube O.D. mm	Hose ND	Hose Size	A mm	D mm	H mm	E Ø mm	K Ø mm	R Ø mm	HEX [1]	HEX [2]	Nut
1S12MP12	3/4-14			-12	72	41		16					30
1S16MP12	1-11 1/2			-12	71	40		16					36
1S12MP16	3/4-14			-16	76	42		21					36
1S16MP16	1-11 1/2			-16	81	47		21					36
1S20MP20	1 1/4-11 1/2			-20	89	45		27					46

JIC Female Swivel JIC-Dichtkopf Femelle JIC Femmina girevole JIC Hembra loca JIC



Part Number	Thread T	Flange Tube O.D. mm	Hose ND	Hose Size	A mm	D mm	H mm	E Ø mm	K Ø mm	R Ø mm	HEX [1]	HEX [2]	Nut
1S10FJ12	7/8-14			-12	58	28		12			27	30	
1S12FJ12	1 1/16-12			-12	58	28		16			32	30	
1S16FJ12	1 5/16-12			-12	60	30		16			41	32	
1S12FJ16	1 1/16-12			-16	66	31		16			32	36	
1S16FJ16	1 5/16-12			-16	68	34		21			41	36	
1S20FJ16	1 5/8-12			-16	64	30		21			50		
1S20FJ20	1 5/8-12			-20	76	32		27			50		

Split Flange Code 61 Flansch Code 61 Bride code 61 Flangia codice 61 Brida - código 61



Part Number	Thread T	Flange Tube O.D. mm	Hose ND	Hose Size	A mm	D mm	H mm	E Ø mm	K Ø mm	R Ø mm	HEX [1]	HEX [2]	Nut
1S12FL12		3/4"		-12	84	54		16	38,1				
1S16FL12		1"		-12	84	54		16	44,4				
1S12FL16		3/4"		-16	88	53		21	38,1				
1S16FL16		1"		-16	89	54		21	44,4				
1S20FL16		1 1/4"		-16	96	62		21	50,8				
1S20FL20		1 1/4"		-20	108	64		27	50,8				
1S24FL20		1 1/2"		-20	109	65		27	60,3				