

Order code	Manufacturer code	Description
31-0860	n/a	55M STAINLESS STEEL CARRY HANDLE
31-0862	n/a	88MM STAINLESS STEEL CARRY HANDLE
31-0864	n/a	120MM STAINLESS STEEL CARRY HANDLE
31-0866	n/a	180MM STAINLESS STEEL CARRY HANDLE
31-0868	n/a	235MM STAINLESS STEEL CARRY HANDLE

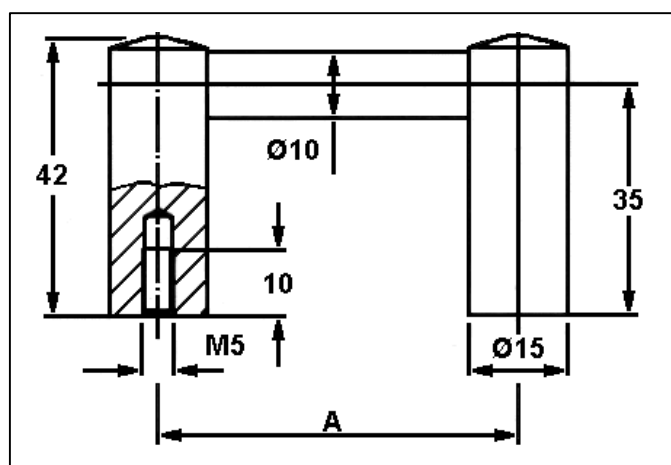
	Page 1 of 2
The enclosed information is believed to be correct, Information may change 'without notice' due to product improvement. Users should ensure that the product is suitable for their use. E. & O. E.	Revision A 04/07/2003

Hardware

Mentor 3401.xxxx series – Stainless steel carry handle



Dimensions (mm):



Mentor part no.	Dimension A (mm)	Materials	Carrying capacity
3401.0551	55	Stainless steel	1000N / pair
3401.0881	88		
3401.1201	120		
3401.1801	180		
3401.2351	235		