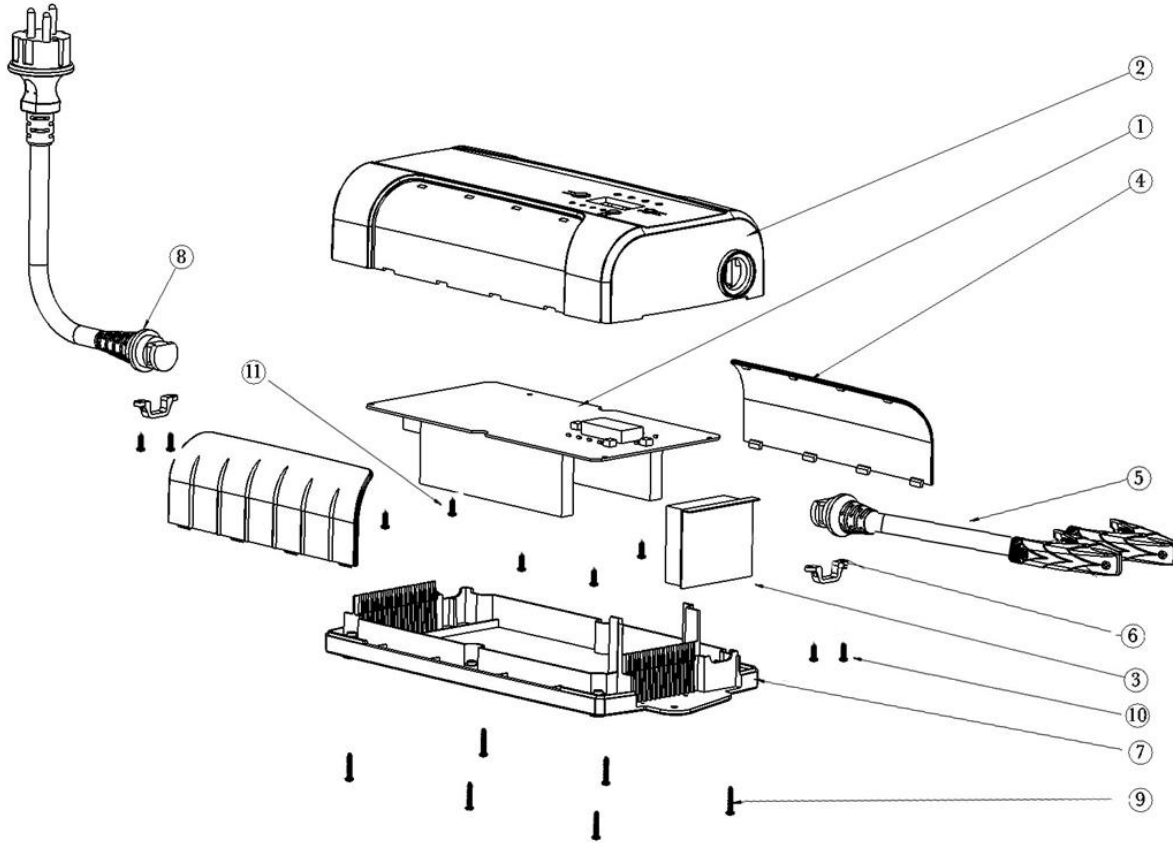




Parts Information:
Battery Support Unit & Charger
 12V-25A/24V-12.5A
Model No: BSCU25.V2



Item	Part No.	Description
1	BSCU25.V2-01	PCB
2	BSCU25.V2-02	UPPER COVER
3	BSCU25.V2-03	FAN
4	BSCU25.V2-04	SIDE COVER
5	BSCU25.V2-05	CLAMPS (C/W)
6	BSCU25.V2-06	CLAMP CLIP

Item	Part No.	Description
7	BSCU25.V2-07	BOTTOM COVER
8	BSCU25.V2-08	CABLE (c/w P)
9	BSCU25.V2-09	SCREW (3x16)
10	BSCU25.V2-10	SCREW (3x10)
11	BSCU25.V2-11	SCREW (3x6)

NOTE: It is our policy to continually improve products and as such we reserve the right to alter data, specifications and component parts without prior notice.

IMPORTANT: No liability is accepted for incorrect use of product.

WARRANTY: Guarantee is 12 months from purchase date, proof of which will be required for any claim.

Sealey Group, Kempson Way, Suffolk Business Park, Bury St Edmunds, Suffolk. IP32 7AR



01284 757500



01284 703534



sales@sealey.co.uk



www.sealey.co.uk