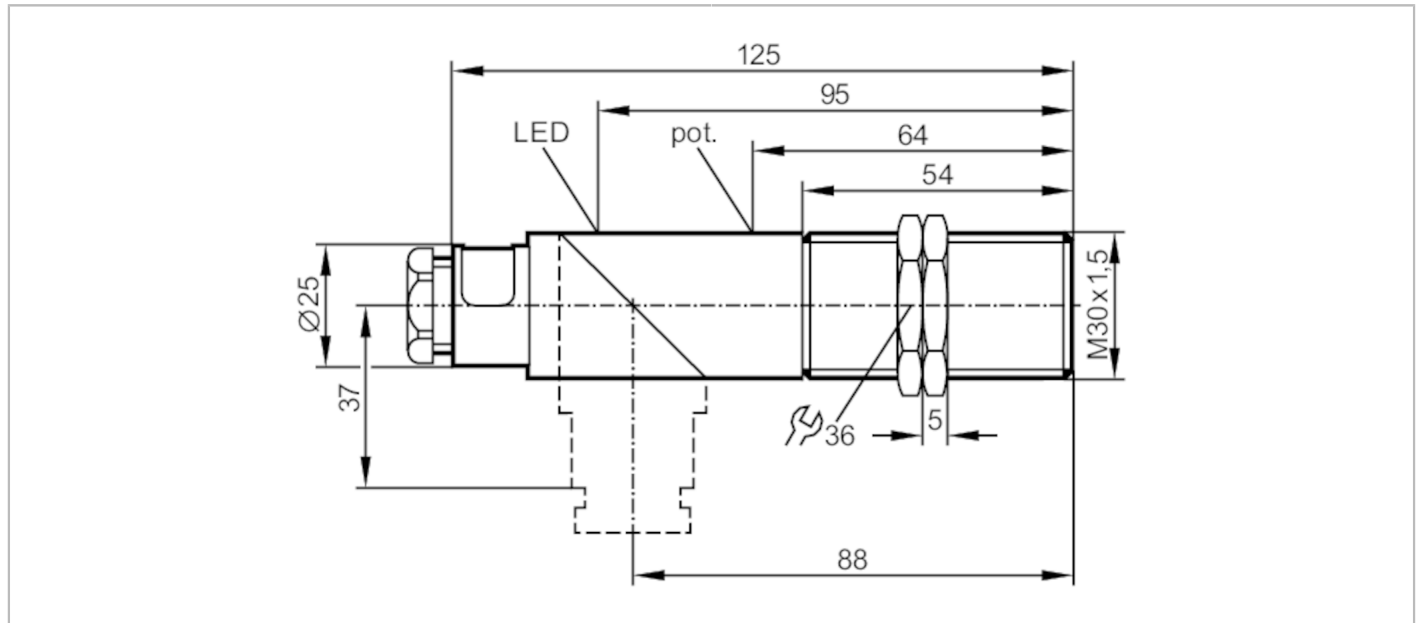


KI5023



Capacitive sensor

KIE3015-FPKG/NI/55V



Product characteristics	
Electrical design	PNP
Output function	normally open / normally closed; (selectable)
Sensing range [mm]	15
Housing	threaded type
Dimensions [mm]	M30 x 1.5 / L = 125
Electrical data	
Operating voltage [V]	10...55 DC; ("supply class 2" to cULus)
Current consumption [mA]	14; (24 V)
Protection class	II
Reverse polarity protection	yes
Outputs	
Electrical design	PNP
Output function	normally open / normally closed; (selectable)
Max. voltage drop switching output DC [V]	2.5
Permanent current rating of switching output DC [mA]	250
Switching frequency DC [Hz]	40
Short-circuit proof	yes
Overload protection	yes
Detection zone	
Sensing range [mm]	15
Real sensing range Sr [mm]	15 ± 10 %
Operating distance [mm]	0...12.1

KI5023



Capacitive sensor

KIE3015-FPKG/NI/55V

Accuracy / deviations	
Correction factor	glass: 0.4 / water: 1 / ceramics: 0.2 / PVC: 0.2
Hysteresis [% of Sr]	1...15
Switch point drift [% of Sr]	-15...15
Operating conditions	
Ambient temperature [°C]	-25...70
Protection	IP 65
Increased immunity	yes; (increased immunity to conducted radio frequency interference)
Tests / approvals	
EMC	EN 60947-5-2
MTTF [years]	743
Mechanical data	
Weight [g]	135
Housing	threaded type
Mounting	non-flush mountable
Dimensions [mm]	M30 x 1.5 / L = 125
Thread designation	M30 x 1.5
Materials	PBT; end cap: PC
Displays / operating elements	
Display	switching status 1 x LED, yellow
Accessories	
Accessories (supplied)	lock nuts: 2 screwdriver: 1
Remarks	
Pack quantity	1 pcs.
Electrical connection	
terminals: ...2.5 mm ² ; Cable sheath: Ø 7...13 mm; Cable gland: M20 X 1.5	
Connection	

