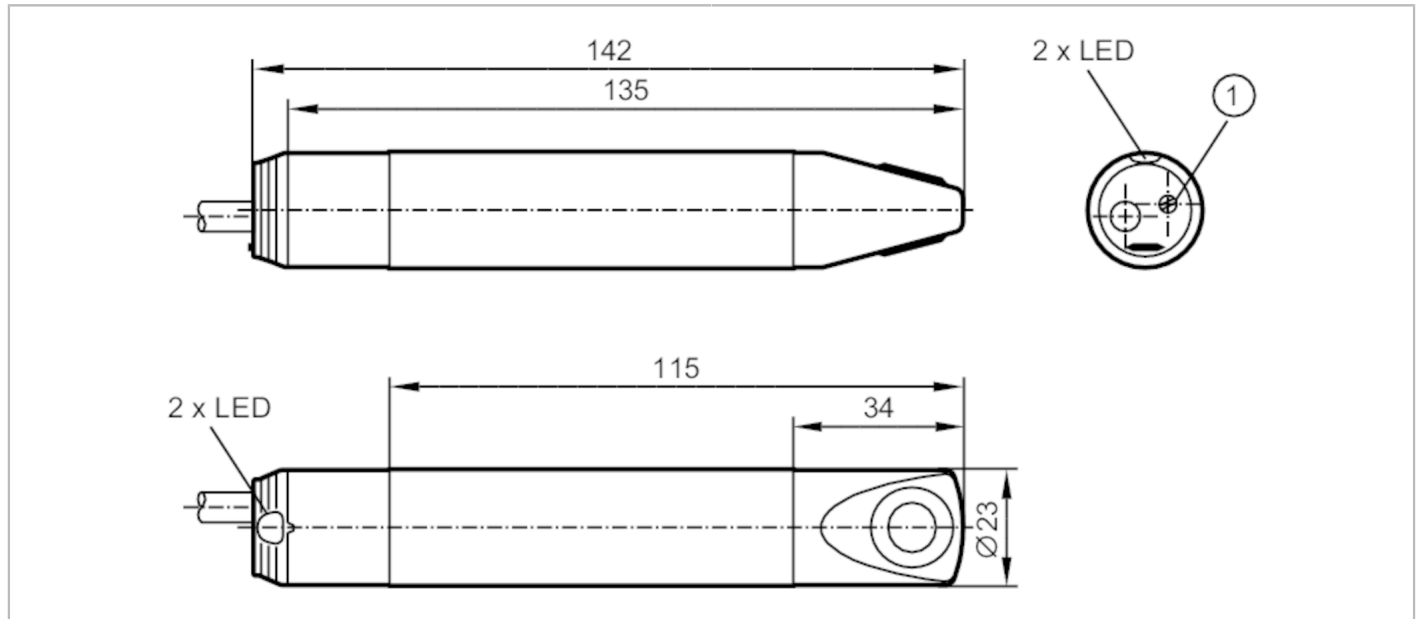


SL5102



Airflow monitor

SLG23CEEKOG/N.C./24VDC/6M



| Product characteristics | |
|------------------------------------|---|
| Number of inputs and outputs | Number of relay outputs: 1 |
| Process connection | Ø 23 mm |
| Application | |
| Medium temperature [°C] | -10...50 |
| Pressure rating [bar] | 1 |
| Electrical data | |
| Operating voltage tolerance [%] | -25...25 |
| Operating voltage [V] | 24 DC |
| Min. insulation resistance [MΩ] | 100; (500 V DC) |
| Power-on delay time [s] | 60 |
| Inputs / outputs | |
| Number of inputs and outputs | Number of relay outputs: 1 |
| Outputs | |
| Output signal | switching signal |
| Number of relay outputs | 1 |
| Contact rating | 3 A (30 V DC / 250 V AC) |
| Switching function flow monitoring | relay de-energised when flow is present |
| Measuring/setting range | |
| Gases | |
| Setting range [cm/s] | 100...1000 |
| Greatest sensitivity [cm/s] | 100...400 |
| Accuracy / deviations | |
| Temperature gradient [K/min] | 5 |

SL5102



Airflow monitor

SLG23CEEBKOG/N.C./24VDC/6M

| Response times | | |
|--------------------------------|----------|--|
| Response time | [s] | 3...60 |
| Gases | | |
| Response time | [s] | 3...60 |
| Software / programming | | |
| Adjustment of the switch point | | potentiometer |
| Operating conditions | | |
| Ambient temperature | [°C] | -10...50 |
| Max. relative air humidity | [%] | 90 |
| Protection | | IP 65 |
| Tests / approvals | | |
| MTTF | [years] | 1202 |
| Mechanical data | | |
| Weight | [g] | 380 |
| Dimensions | [mm] | Ø 23 / L = 142 |
| Materials | | housing: PBT; sensor surface: titanium |
| Materials (wetted parts) | | PBT; titanium |
| Process connection | | Ø 23 mm |
| Displays / operating elements | | |
| Display | function | 1 x LED, red |
| | function | 1 x LED, green |
| Accessories | | |
| Accessories (supplied) | | Mounting clamp: 1, E40048 |
| Remarks | | |
| Pack quantity | | 1 pcs. |

SL5102



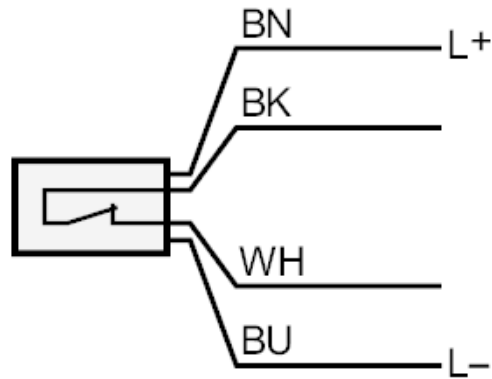
Airflow monitor

SLG23CEEKOG/N.C./24VDC/6M

Electrical connection

Cable: 6 m, PUR; 4 x 0.5 mm², PVC

Connection



Core colours :

| | |
|------|-------|
| BN = | brown |
| BU = | blue |
| BK = | black |
| WH = | white |