

MASI67 INSTALLATION TECHNOLOGY

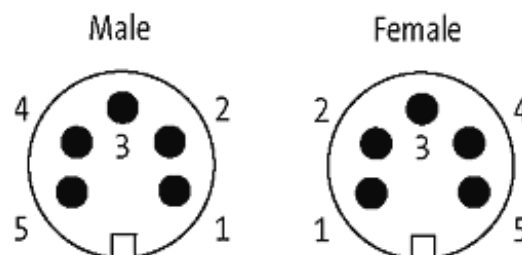
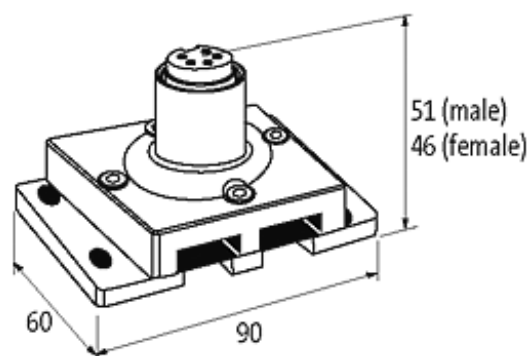
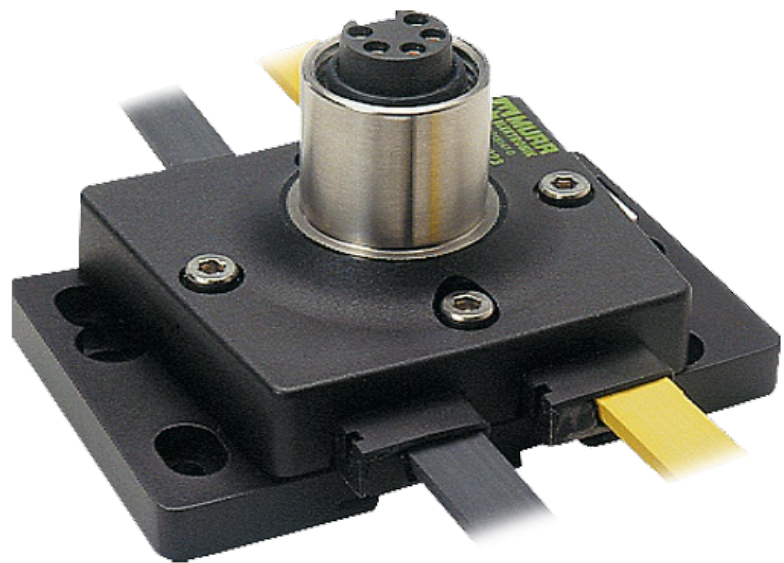
Converter 2x profile cable to 7/8" female

MASI67 converter
2 × profile cable to 7/8" (female)

For connection cables please see chapter "Connection Technology"

[Link to Product](#)

Illustration



Product may differ from image

Product may differ from image

Approvals



Technical Data

Operating voltage	max. 36 V DC
Total current	max. 8 A
Isolation voltage	AS-Interface/Power: 200 V

General data

Protection	IP67
Mounting method	DIN-rail mountable (EN 60715) or screw fixing
Temperature range	-20...+60 °C (storage temperature -40...+80 °C)
Dimensions H x W x D	90x74x52 mm

Contact layout

Contact 1	AS-Interface + (brown)
Contact 2	AS-Interface - (blue)
Contact 3	n.c.
Contact 4	+24 V (brown)
Contact 5	0 V (blue)

Commercial data

country of origin	DE
customs tariff number	85369010
minimum order quantity	1