

Model Number

KCD2-E1

Sensor output interface terminal

Features

- 1-channel terminal amplifier
- NAMUR sensor input
- DC 24 V supply voltage
- Standard interface for prevention of signal transmission errors
- Switching status indicator, yellow LED
- Short-circuit proof electronic output
- Low noise sensitivity
- Compact terminal housing
- Clips onto standard 35 mm rail to DIN EN 50 022
- Degree of protection IP20

Technical data

Functional safety related parameters

MTTF_d 1612 a

Indicators/operating means

LED yellow switch output

Electrical specifications

Operating voltage U_B 10 ... 30 V DC

Ripple ≤ 10 %

Operating current approx. 22 mA

Input

Connection terminals 1+, 2-

Connectable sensor types NAMUR

Pulse length/pulse interval ≥ 0.5 ms / ≥ 0.5 ms

Short-circuit current approx. 8 mA

Sensor supply 8 V DC

Switching point 1.2 ... 2.1 mA hysteresis approx. 0.2 mA

Line fault detection without

Trip value 1 kHz

Output

Connection terminal 4-

Current 200 mA short-circuit protected

Transistor NPN

Signal level U_B - 1.8V

Transfer characteristics

Mode of operation NC contact

Switching frequency 1 kHz

Ambient conditions

Ambient temperature -25 ... 70 °C (-13 ... 158 °F)

Storage temperature -25 ... 85 °C (-13 ... 185 °F)

Mechanical specifications

Connection self-opening apparatus connection terminals, max. core cross-section 0.34 ... 2.5 mm²

Mass 60 g

Dimensions 20x60x40
(in mm)

Compliance with standards and directives

Directive conformity

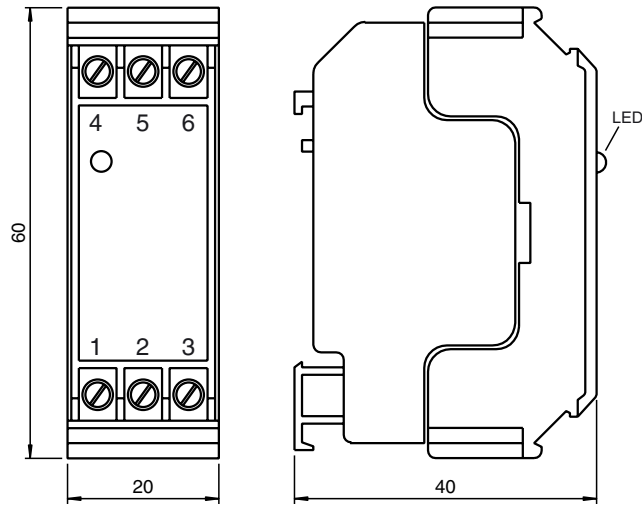
EMC Directive 2004/108/EC EN 61326-1:2006

Standard conformity

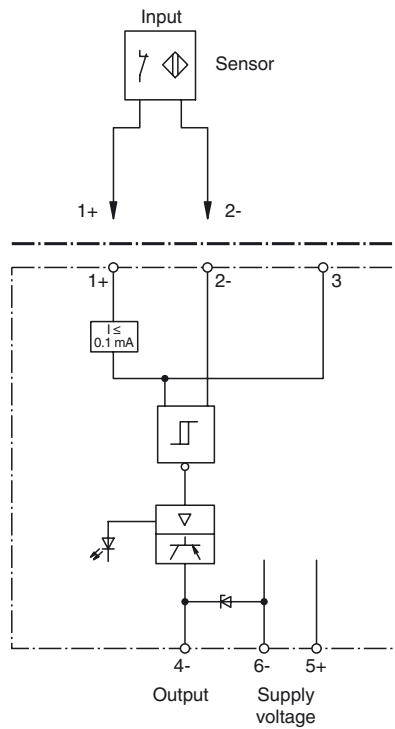
Noise immunity EN 61326-1:2006

Degree of protection EN 60529:2000

Dimensions



Electrical connection



Release date: 2014-11-04 15:05 Date of issue: 2014-11-04 269795_eng.xml