



FUSE-SWITCH-DISCONNECTOR 3-POLE, NH3, 630A
60MM BUSBAR SYSTEM COVER LEVEL 32/70 MM
BOX TERMINAL FUSE MONITORING ELECTRONIC,
EFM 10

Model		
product brand name		SENTRON
Product designation		Fuse switch disconnecter
Design of the product		3-pole
Busbar design		busbar thickness 5 or 10 mm
Design of the safety monitoring		electronic EFM 10
Design of the operating mechanism		handle unit
Design of the load switch / Strip form		No
Type of the driving mechanism / motor drive		No
General technical data		
Number of poles		3
Type of device		snap on mount on busbar system Siemens 8US 60 mm
Size of disconnecting link		3 and 2
Size of fuse link		NH2, NH3
Continuous current / at 35 °C / Rated value	A	630
Let-through current / with closed switch / maximum permissible	kA	60
cut-off value $I^{**2}t_{max.} / 500 V$	A ² .s	5 400 000
I²t value / with closed switch / maximum permissible	kA ² .s	5 400
Power factor		
• at AC-22 B		0.65
• at AC-23 B		0.35
• with capacitive load		-0.25
circuit-breaker / Design		3NP11

Mechanical service life (switching cycles) / typical		1 000
Fuse system		LV HRC fuse
Voltage		
Insulation voltage / Rated value	V	690
Power factor / at AC-21 B		0.95
Surge voltage resistance / Rated value	kV	8
Protection class		
Protection class IP		
<ul style="list-style-type: none"> • with closed switch / with cover or cable lug cover 		IP40
<ul style="list-style-type: none"> • with closed switch / without cover or cable lug cover 		IP30
<ul style="list-style-type: none"> • on the front 		IP40
<ul style="list-style-type: none"> • open 		IP20
Dissipation		
Active power loss		
<ul style="list-style-type: none"> • maximum 	W	48
Electricity		
Continuous current		
<ul style="list-style-type: none"> • Rated value 	A	630
<ul style="list-style-type: none"> • at 40 °C / Rated value 	A	610
<ul style="list-style-type: none"> • at 45 °C / Rated value 	A	575
<ul style="list-style-type: none"> • at 50 °C / Rated value 	A	555
<ul style="list-style-type: none"> • at 55 °C / Rated value 	A	530
Let-through current / with high-speed activation / maximum permissible	kA	50
Let-through current / I_c / maximum permissible		
<ul style="list-style-type: none"> • 400 V 	A	60 000
<ul style="list-style-type: none"> • 500V 	A	60 000
cut-off value I**2t,max. / 400 V	A ² ·s	5 400 000
Main circuit		
Operating voltage		
<ul style="list-style-type: none"> • with AC / Rated value / minimum 	V	230
<ul style="list-style-type: none"> • with AC / Rated value / maximum 	V	690
Operating current		
<ul style="list-style-type: none"> • at AC-21 B / at 400 V / Rated value 	A	630
<ul style="list-style-type: none"> • at AC-21 B / at 500 V / Rated value 	A	630
<ul style="list-style-type: none"> • at AC-21 B / at 690 V / Rated value 	A	630
<ul style="list-style-type: none"> • at AC-22 B / at 400 V / Rated value 	A	630
<ul style="list-style-type: none"> • at AC-22 B / at 500 V / Rated value 	A	630
<ul style="list-style-type: none"> • at AC-22 B / at 690 V / Rated value 	A	500

- at AC-23 B / at 400 V / Rated value
- at AC-23 B / at 500 V / Rated value
- at AC-23 B / at 690 V / Rated value
- with capacitive load / at 400 V / maximum
- with capacitive load / at 500 V / maximum

A	630
A	500
A	200
A	72
A	55

Auxiliary circuit

Number of CO contacts / for auxiliary contacts		0
Number of NC contacts / for auxiliary contacts		0
Number of NO contacts / for auxiliary contacts		0

Suitability

Suitability for use		
• Main switch		No
• switch disconnecter		Yes
• EMERGENCY OFF switch		No
• safety switch		Yes
• maintenance/repair switch		Yes

Product details

Product feature / interlock		Yes
Product component		
• Trip indicator		Yes
• Phase failure monitoring		No
• undervoltage release		No
• undervoltage release with leading contact		No
Product property / sealable		Yes
Product expansion		
• Auxiliary switch		Yes
• optional		
— locking capability		Yes
— motor drive		No
— Phase failure monitoring		Yes
— Voltage trigger		No
— Overvoltage protection monitoring		Yes

Product function

Product function		
• fuse monitoring		Yes
• Overvoltage protection monitoring		No

Short circuit

Conditional short-circuit current (I_q)		
• Rated value	kA	50

• with AC / at 500 V / with high-speed activation / Rated value	kA	50
• with AC / at 690 V / with high-speed activation / Rated value	kA	50
• with closed switch / with AC / at 500 V / Rated value	kA	100
• with closed switch / with AC / at 690 V / Rated value	kA	100

Connections

Arrangement of electrical connectors / for main current circuit		other
Connectable conductor cross-section / for main contacts		
• single or multi-stranded / minimum	mm ²	50
• single or multi-stranded / maximum	mm ²	300
• stranded / minimum	mm ²	50
• stranded / maximum	mm ²	300
Tightening torque / with screw-type terminals		
• minimum	N·m	10
• maximum	N·m	25
Type of connectable conductor cross-section / of the laminated conductors / maximum		20 x 32 mm
Type of electrical connection / for main current circuit		box terminals

Mechanical Design

Height	mm	306
Width	mm	249.4
Depth	mm	195.7
mounting position		horizontally or vertically
Mounting type		busbar mounting
Mounting type		
• floor mounting		No
• front mounting		No
• front mounting with 4-hole attachment		No
• front mounting with central attachment		No
• rail mounting		Yes
Busbar center-to-center spacing	mm	60

Environmental conditions

Ambient temperature		
• during operation / minimum	°C	-25
• during operation / maximum	°C	55
• during storage / minimum	°C	-50
• during storage / maximum	°C	80

Certificates

Equipment marking

- acc. to DIN EN 61346-2
- acc. to DIN EN 81346-2

Q
Q

General Product Approval

Declaration of Conformity



Test Certificates

Shipping Approval

[Type Test Certificates/Test Report](#)



Further information

Information- and Downloadcenter (Catalogs, Brochures,...)

<http://www.siemens.com/lowvoltage/catalogs>

Industry Mall (Online ordering system)

<https://eb.automation.siemens.com/mall/en/WW/Catalog/Product/3NP11631BC22>

Service&Support (Manuals, Certificates, Characteristics, FAQs,...)

<http://support.automation.siemens.com/WW/view/en/3NP11631BC22/all>

Image database (product images, 2D dimension drawings, 3D models, device circuit diagrams, ...)

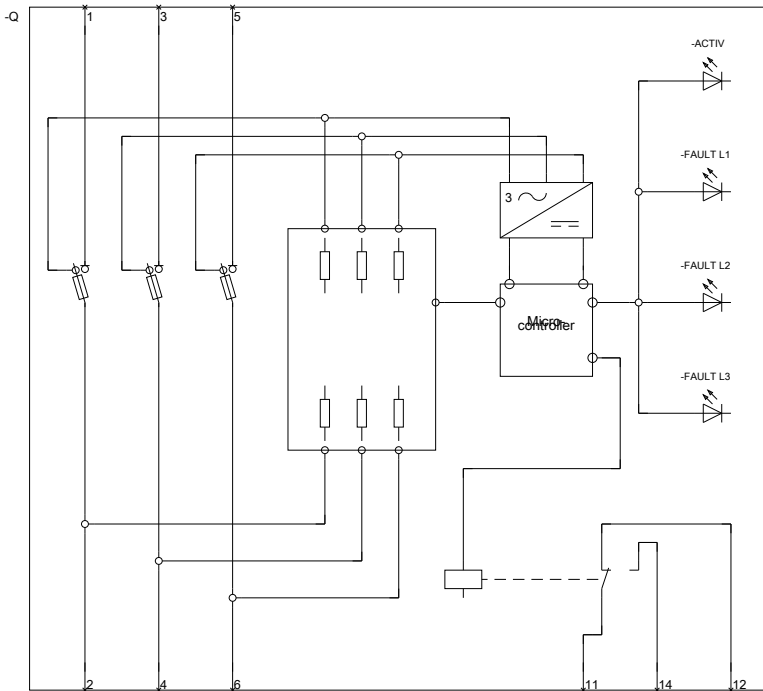
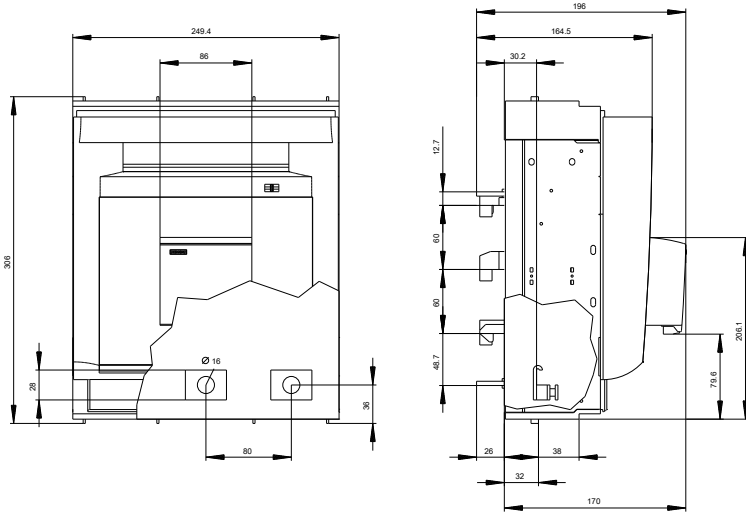
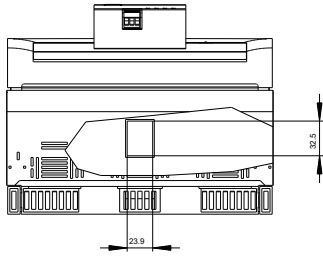
http://www.automation.siemens.com/bilddb/cax_en.aspx?mfb=3NP11631BC22

CAX-Online-Generator

<http://www.siemens.com/cax>

Tender specifications

<http://ausschreibungstexte.siemens.com/tiplv>



last modified:

11.03.2015