



TWIST LEVER FOR POSITION SWITCH 3SE51  
 METAL LEVER, 27MM LONG, STEP 9MM, W. 2  
 PLASTIC ROLLERS 19MM

Product designation		actuator for part-turn actuator
<b>Manufacturer article number</b>		
<ul style="list-style-type: none"> <li>of the supplied operating lever</li> </ul>		<a href="#">3SE5000-0AA04</a>

**General technical data:**

<b>Product function</b>		
<ul style="list-style-type: none"> <li>positive opening</li> </ul>		Yes
<b>Shock resistance</b>		30g / 11 ms
<b>Vibration resistance</b>		0.35 mm / 5g
<b>Mechanical service life (switching cycles)</b>		
<ul style="list-style-type: none"> <li>typical</li> </ul>		15 000 000
<b>Equipment marking</b>		
<ul style="list-style-type: none"> <li>acc. to DIN EN 61346-2</li> </ul>		T
<ul style="list-style-type: none"> <li>acc. to DIN EN 81346-2</li> </ul>		T
<b>Active principle</b>		mechanical
Explosion protection category for dust		none
Explosion protection category for gas		none

**Enclosure:**

<b>Coating of the enclosure</b>		Other types
---------------------------------	--	-------------

**Drive Head:**

<b>Design of the operating mechanism</b>		metal lever, 27 mm long, step 9 mm, 2 plastic rollers 19 mm
<b>Standard-compliant actuator head</b>		EN 50041, design A
<b>Shape of the switch head</b>		roller
<b>Outer diameter of the switch head</b>	mm	19

**Communication/ Protocol:**

<b>Design of the interface</b>	without
--------------------------------	---------

**Ambient conditions:**

<b>Ambient temperature</b>		
• during operation	°C	-25 ... +85
• during storage	°C	-40 ... +90

**Installation/ mounting/ dimensions:**

<b>mounting position</b>	any
<b>Mounting type</b>	screw fixing

**Certificates/ approvals:**

General Product Approval	Declaration of Conformity	Test Certificates	other
 CSA	 UL		 EG-Konf.
		<a href="#">Special Test Certificate</a>	<a href="#">Confirmation</a>

**Further information**

**Information- and Downloadcenter (Catalogs, Brochures,...)**

<http://www.siemens.com/industrial-controls/catalogs>

**Industry Mall (Online ordering system)**

<http://www.siemens.com/industrymall>

**Cax online generator**

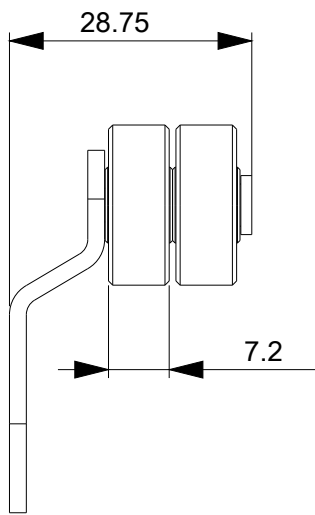
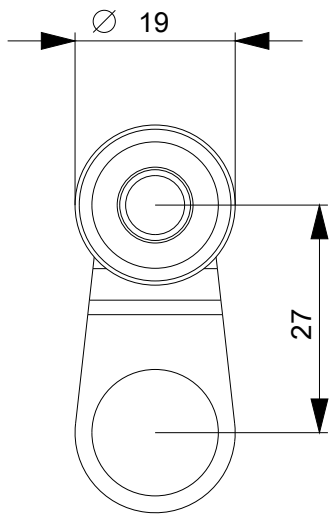
<http://support.automation.siemens.com/WW/CAXorder/default.aspx?lang=en&mlfb=3SE5000AA04>

**Service&Support (Manuals, Certificates, Characteristics, FAQs,...)**

<http://support.automation.siemens.com/WW/view/en/3SE5000AA04/all>

**Image database (product images, 2D dimension drawings, 3D models, device circuit diagrams, EPLAN macros, ...)**

[http://www.automation.siemens.com/bilddb/cax\\_de.aspx?mlfb=3SE5000AA04&lang=en](http://www.automation.siemens.com/bilddb/cax_de.aspx?mlfb=3SE5000AA04&lang=en)



last modified:

09.03.2015