

# 5W UK Wall Plug Micro-USB Adapter

## 5V DC, 1A

**multicomp** PRO

**RoHS  
Compliant**

### Features

- United Kingdom Fixed AC Head
- Level VI Efficiency
- CE Approved

### Description

The Stontronics Range of Class II 5 Watt AC/DC United Kingdom plug-in power supplies provide 5 Watts of continuous power in a compact fixed wall plug enclosure suitable for use in many general power applications.

### Specifications

Input Voltage Range	90-264V AC
Input Frequency Range	50Hz to 60Hz
Input Current Rated	0.2A max
Output Voltage Rating	+5V
Output Current Range	1A
Output Min Current	0A
Output Connection Type	Micro USB
Total Output Regulation	±5%
Line and Load Regulation	±5%
Ripple & Noise	300m Vp-p
Efficiency	73.77% Min
Over Voltage Protection	8V DC Maximum
Over Load Protection	Auto-Recovery
Operating Temperature	0°C to +40°C
Storage Temperature	-20°C to +60°C
Operating Humidity	20% to 85%
Storage Humidity	5% to 95%
Hi-Pot	3000 V AC 10mA 1min
Leakage Current	0.25mA max
Safety Standard	Designed to meet EMI Standard
EMI Standard	Designed to meet CE (EN55032)
MTBF	50K Hours
Size Max.	67 (L) × 49.55 (W) × 64.8(H)
Weight	79g ±15%
Regulator Type	Switched Mode Power Supply

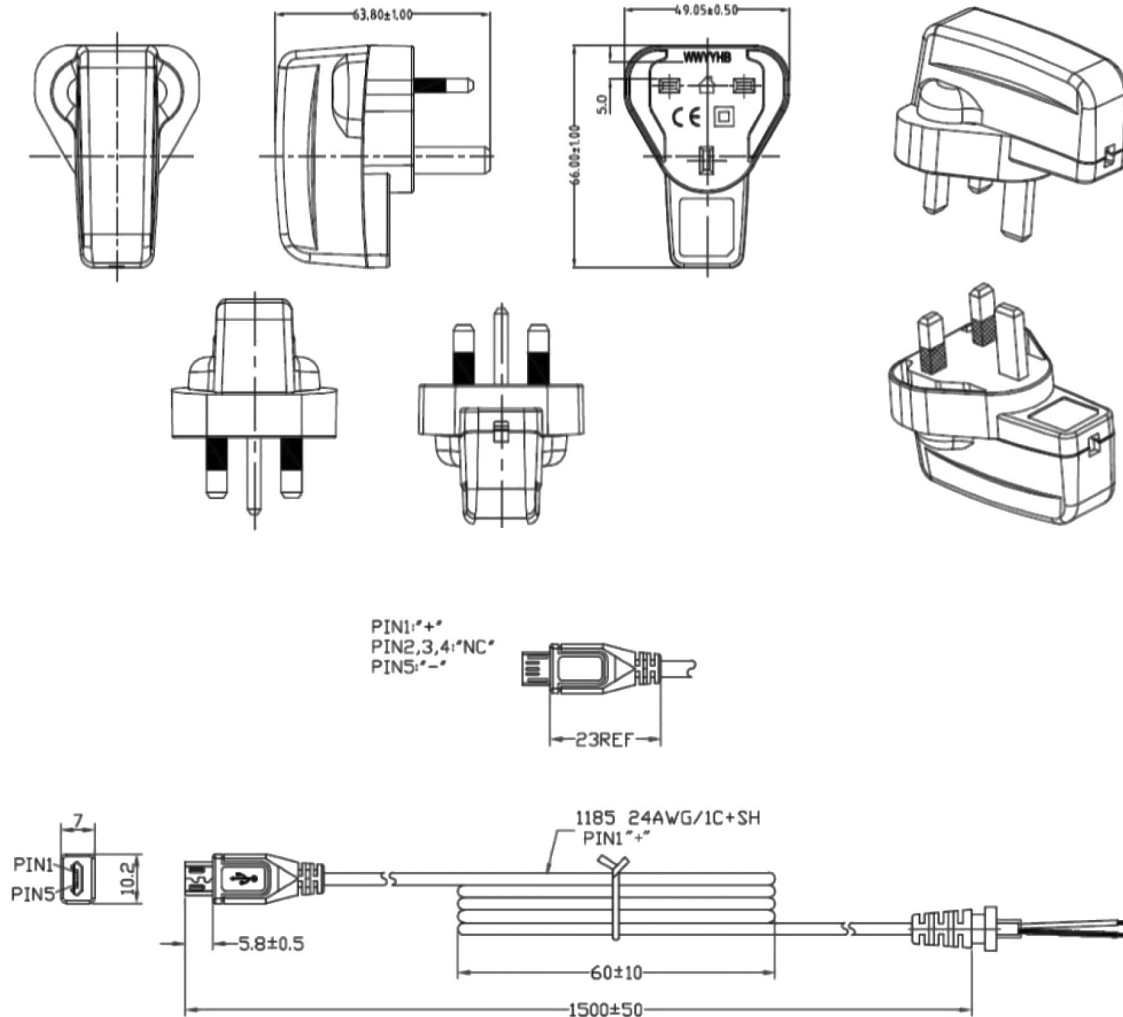
Newark.com/multicomp-pro  
Farnell.com/multicomp-pro  
Element14.com/multicomp-pro

**multicomp** PRO

# 5W UK Wall Plug Micro-USB Adapter 5V DC, 1A



## Diagram



Dimensions : Millimetres

## Part Number Table

Description	Part Number
Wall Plug Micro-USB Adapter, 5W, 5V DC, 1A, UK Plug	MP001992

**Important Notice :** This data sheet and its contents (the "Information") belong to the members of the AVNET group of companies (the "Group") or are licensed to it. No licence is granted for the use of it other than for information purposes in connection with the products to which it relates. No licence of any intellectual property rights is granted. The Information is subject to change without notice and replaces all data sheets previously supplied. The Information supplied is believed to be accurate but the Group assumes no responsibility for its accuracy or completeness, any error in or omission from it or for any use made of it. Users of this data sheet should check for themselves the Information and the suitability of the products for their purpose and not make any assumptions based on information included or omitted. Liability for loss or damage resulting from any reliance on the Information or use of it (including liability resulting from negligence or where the Group was aware of the possibility of such loss or damage arising) is excluded. This will not operate to limit or restrict the Group's liability for death or personal injury resulting from its negligence. Multicomp Pro is the registered trademark of Premier Farnell Limited 2019.

Newark.com/multicomp-pro  
Farnell.com/multicomp-pro  
Element14.com/multicomp-pro

